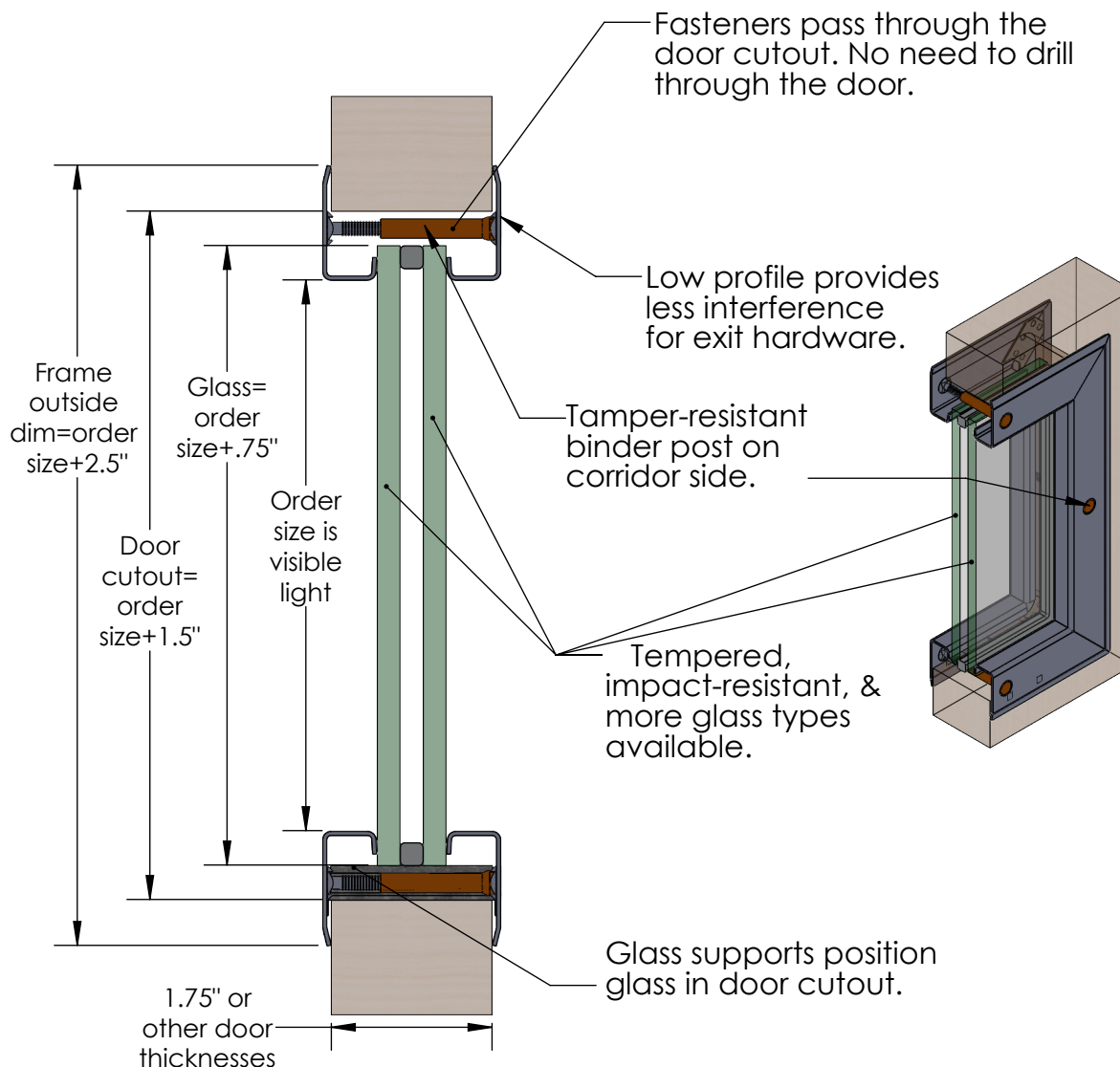
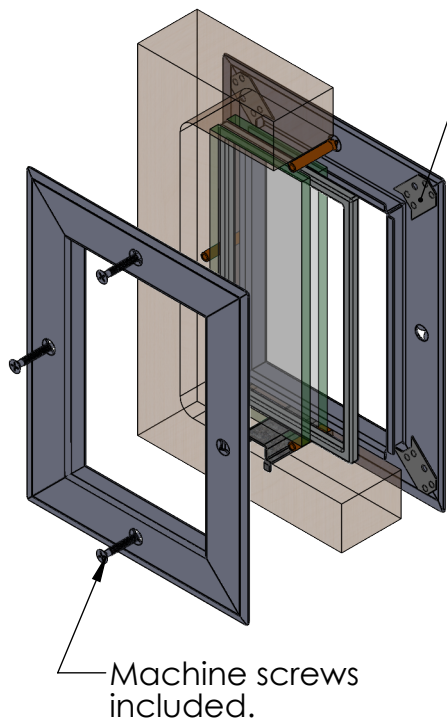




# Model 110B-D1

Low profile, holds 2 pieces of glass, separated by spacer.  
Use in place of Model 110-D1 when screws & binder posts desired.

Welded stiffener reduces flex.



## Materials & Finish

18 ga mild steel standard.  
Galvanized or stainless steel available.  
Extremely durable powder coating.  
Beige, gray & dark bronze standard.  
RAL & custom colors available.  
Real wood veneer.