



US00D722787S

(12) **United States Design Patent**
Miller

(10) **Patent No.:** **US D722,787 S**

(45) **Date of Patent:** **** Feb. 24, 2015**

(54) **PLACARD**

D553,892 S * 10/2007 Lior D6/574
D554,421 S * 11/2007 Sheppard D6/574
D666,446 S * 9/2012 McShane D6/574

(71) Applicant: **Kenneth C. Miller**, Aptos, CA (US)

* cited by examiner

(72) Inventor: **Kenneth C. Miller**, Aptos, CA (US)

Primary Examiner — Brian N Vinson

(**) Term: **14 Years**

(74) *Attorney, Agent, or Firm* — Blue Filament Law PLLC;
Avery N. Goldstein

(21) Appl. No.: **29/434,571**

(57) **CLAIM**

The ornamental design for a placard, as shown and described.

(22) Filed: **Oct. 15, 2012**

DESCRIPTION

(51) **LOC (10) Cl.** **06-04**

(52) **U.S. Cl.**

USPC **D6/574**

(58) **Field of Classification Search**

USPC D26/60–66, 72, 82–90, 138; 362/153,
362/153.1, 267, 269, 281, 285, 287,
362/418–419, 427, 430

See application file for complete search history.

FIG. 1 is a downward perspective view of a placard, with a shelf shown in ghost;

FIG. 2 is an upward perspective view of the placard depicted in FIG. 1;

FIG. 3 is a front view of the placard depicted in FIG. 1;

FIG. 4 is a back view of the placard depicted in FIG. 1;

FIG. 5 is a right side view of the placard depicted in FIG. 1, where the left side view is a mirror image of that shown; and,

FIG. 6 is a top view of the placard depicted in FIG. 1 where the bottom view is a similar to that shown save for a central point.

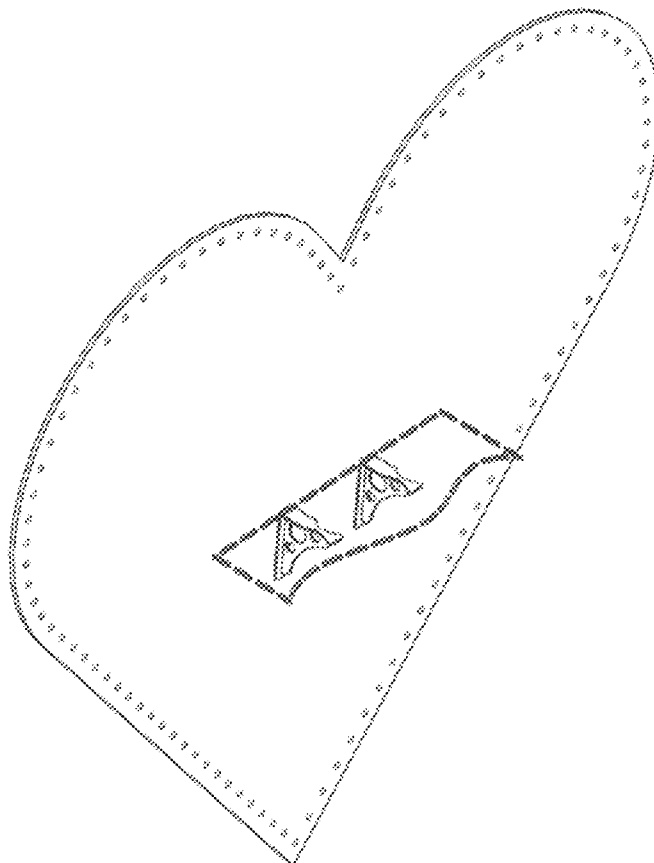
The broken-line disclosure of a shelf forms no part of the claimed design.

(56) **References Cited**

U.S. PATENT DOCUMENTS

D369,573 S * 5/1996 Sorce D11/133
D393,556 S * 4/1998 Jordan D6/540
D453,439 S * 2/2002 Baharance D6/574

1 Claim, 5 Drawing Sheets



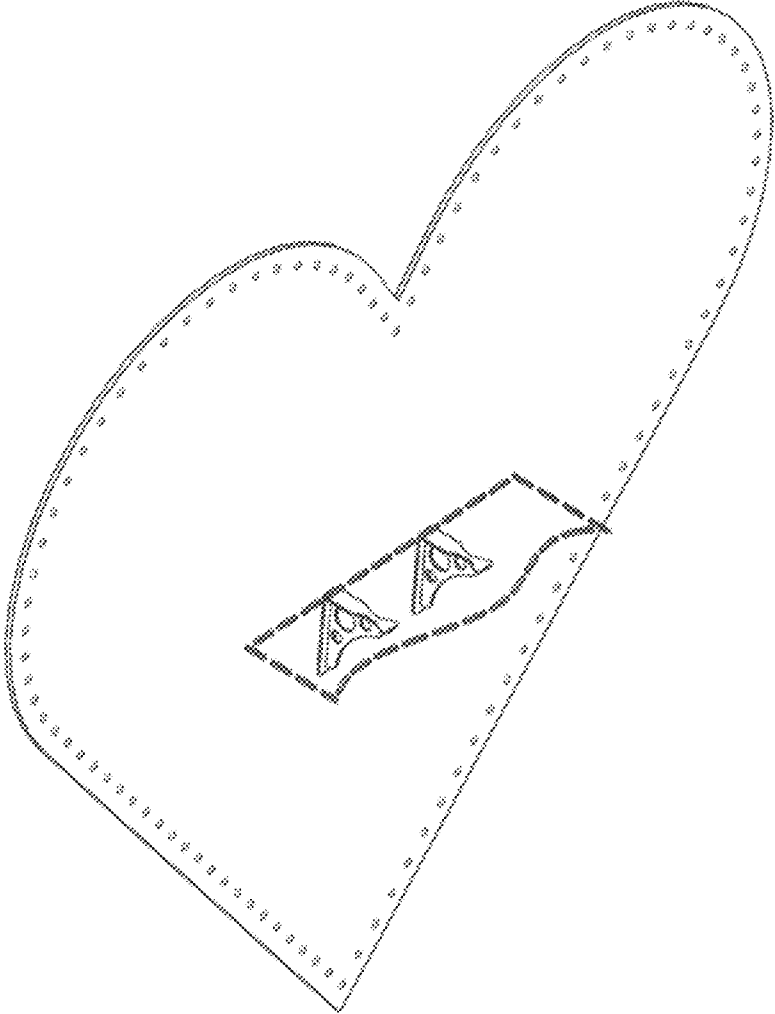


FIG. 1

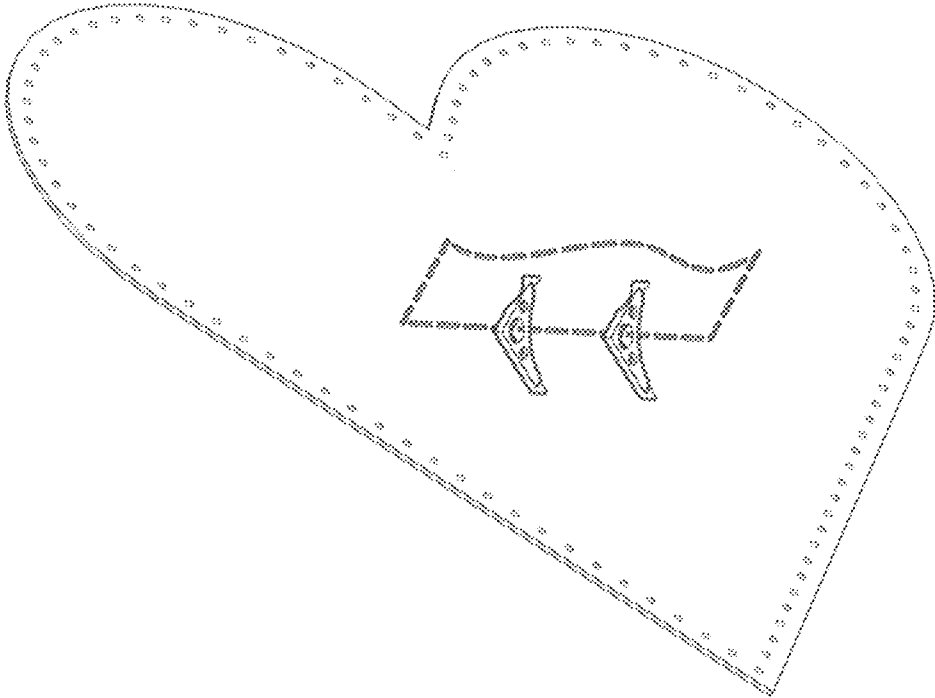


FIG. 2

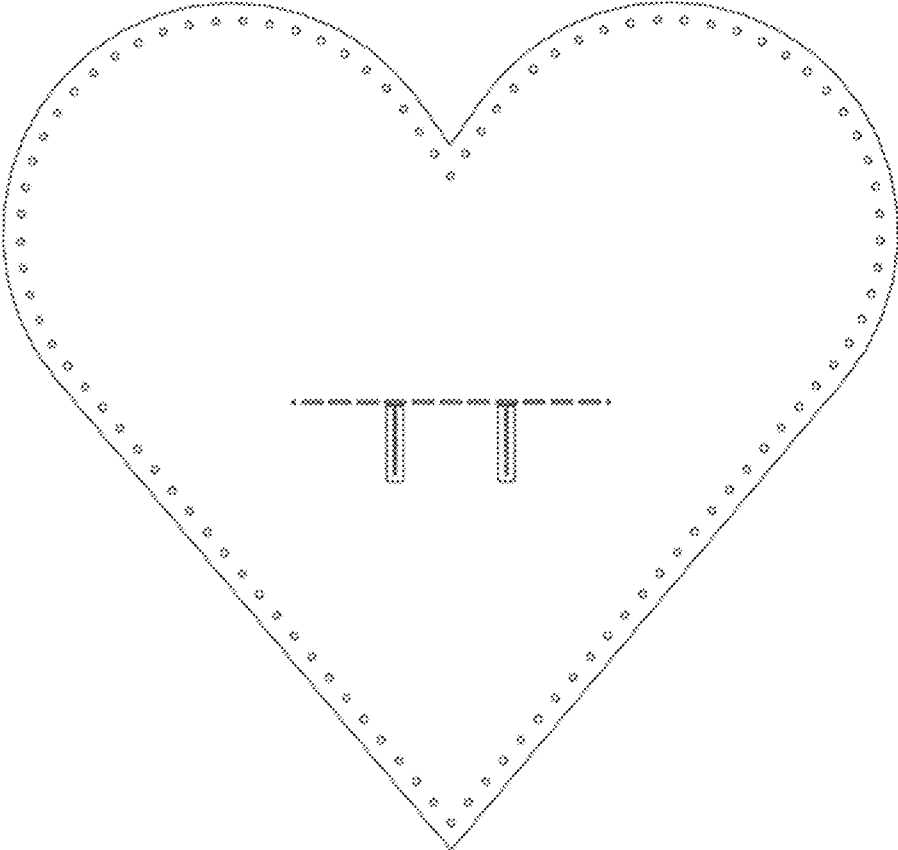


FIG. 3

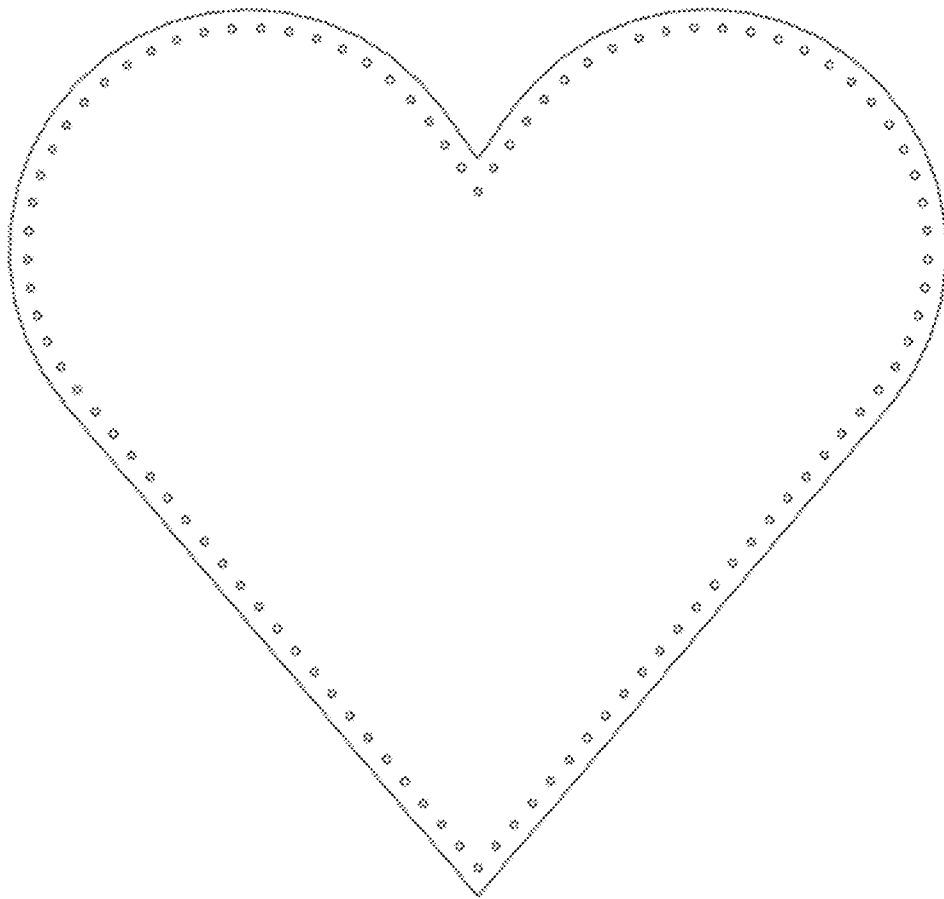


FIG. 4

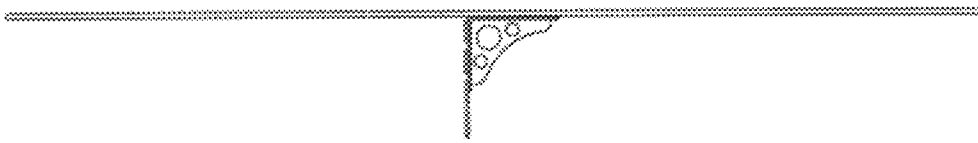


FIG. 5

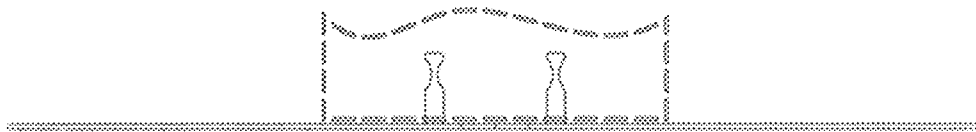


FIG. 6