

8

7

6

5

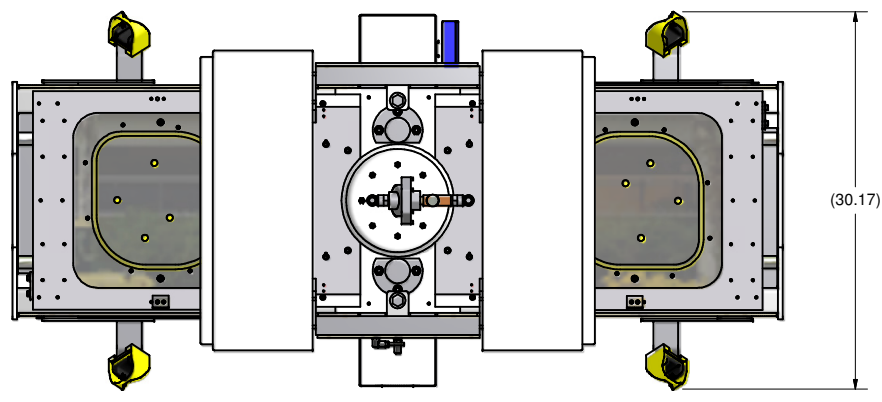
4

3

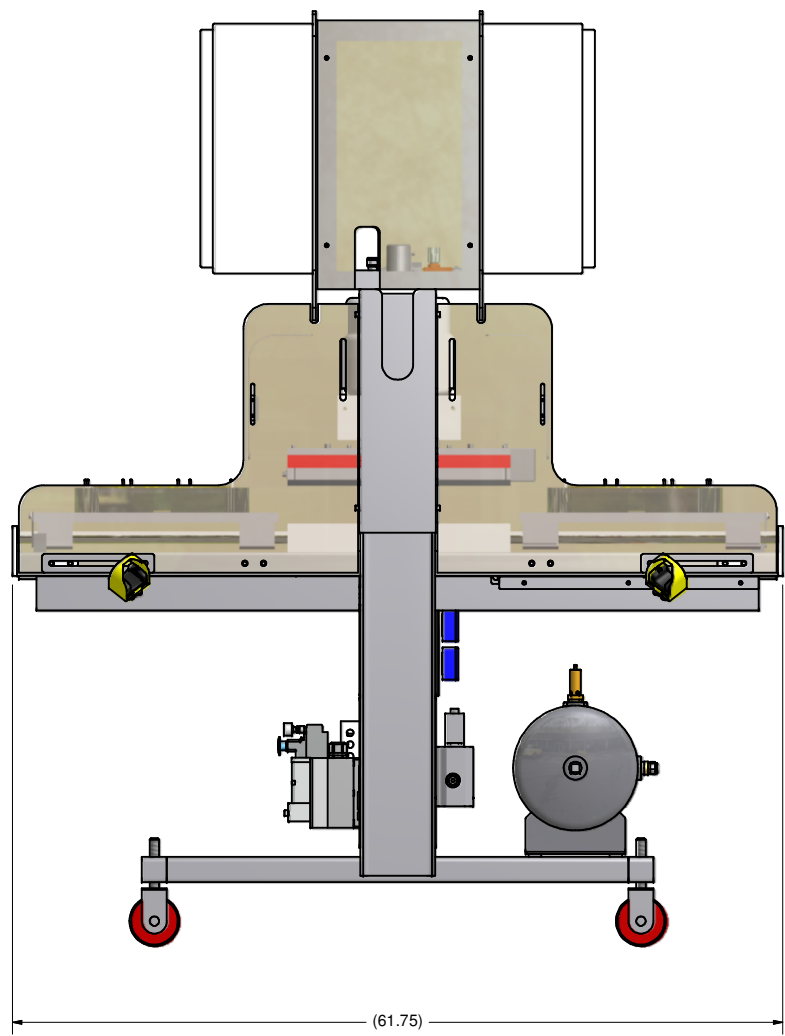
DWG NO. 11309-SK SH 1 REV

1

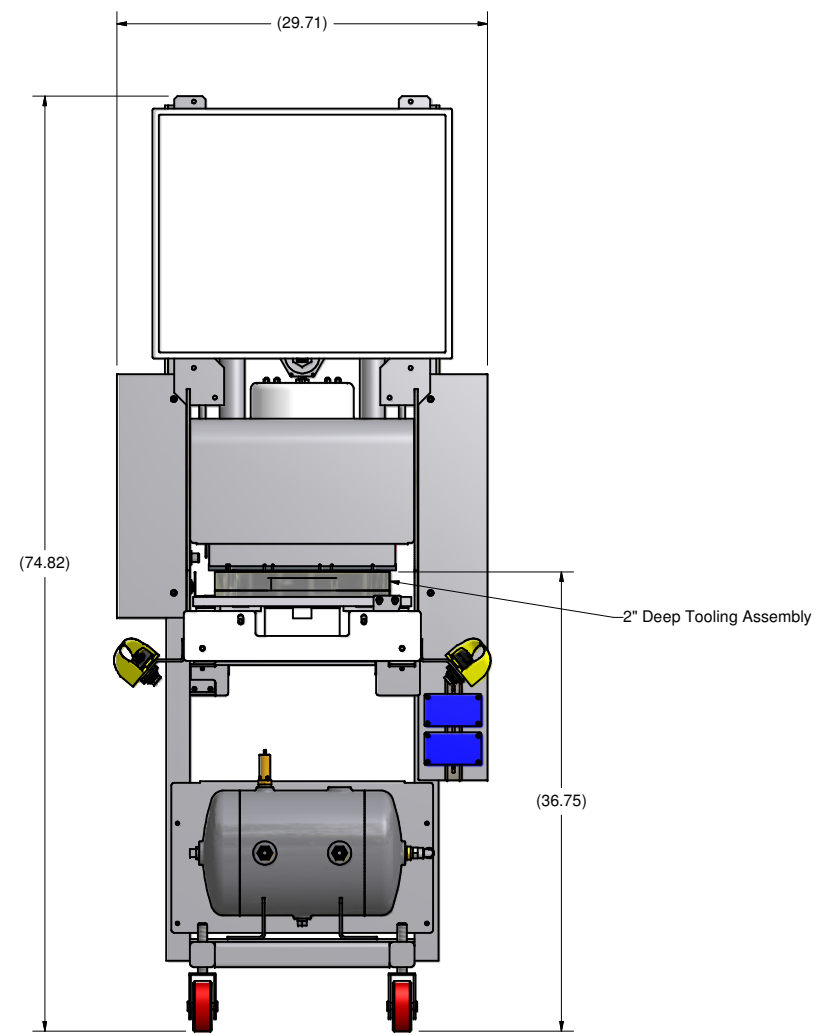
D



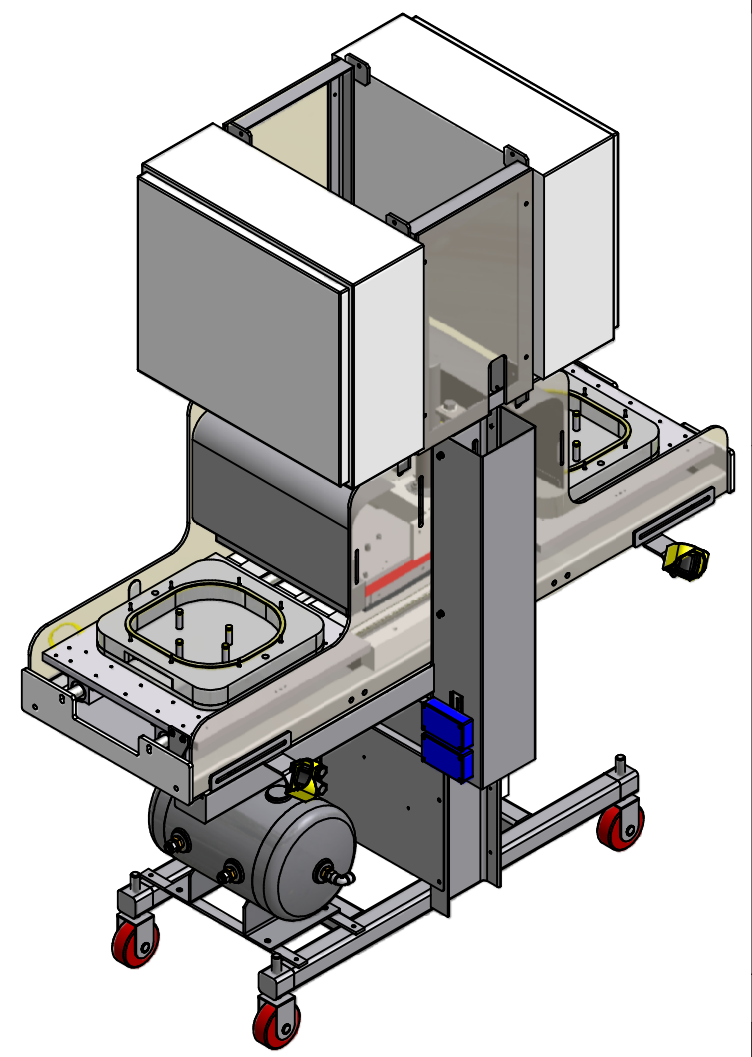
C



B



A



D

C

B

A

DWG NO. 11309-SK SH 1 REV

2008 ATLAS VAC MACHINE CORPORATION ©  
 THIS COPYRIGHTED MATERIAL IS THE PROPERTY OF ATLAS VAC MACHINE CORPORATION AND IS TO BE USED AND DUPLICATED ONLY TO THE EXTENT PERMITTED BY ATLAS VAC MACHINE CORPORATION. IT MUST BE RETURNED IMMEDIATELY UPON REQUEST OF ATLAS VAC MACHINE.

<small>UNLESS OTHERWISE SPECIFIED DIMENSIONS ARE IN INCHES. TOLERANCES ARE:          .X ±.1 ANGLES ±1°          .XX ±.015 SURF FINISH 125          .XXX ±.005 SURF FINISH V          DO NOT SCALE DRAWING          THIRD ANGLE PROJECTION</small>	CONTRACT NO.		<b>Atlas Vac Machine</b> corporation <small>PO Box 42633, Cincinnati, Ohio 45242</small>	
	APPROVALS	DATE		
	MATERIAL	DESIGN	moliver	12/18/2006
TREATMENT	MFG			15:18 Tray Sealer
FINISH	CAD FILE NAME	AV03109 UTAH-2.idw		SIZE
				D
				CAGE CODE
				99296
				DWG. NO.
				11309-SK
				REV.
				1 OF 1

S:\Atlas-Vac Engineering\Atlas Vac Models, R&D\15-18 Sealer\AV03109 UTAH-2.idw