

8

7

6

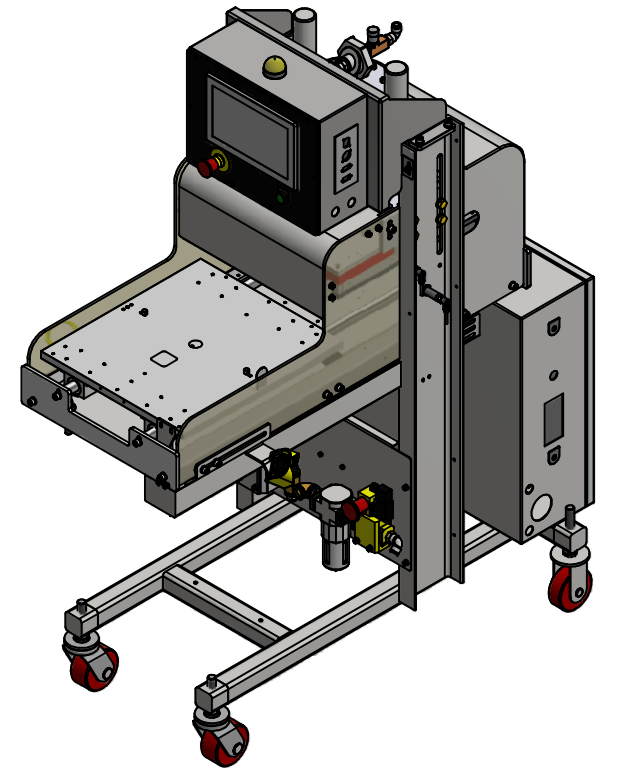
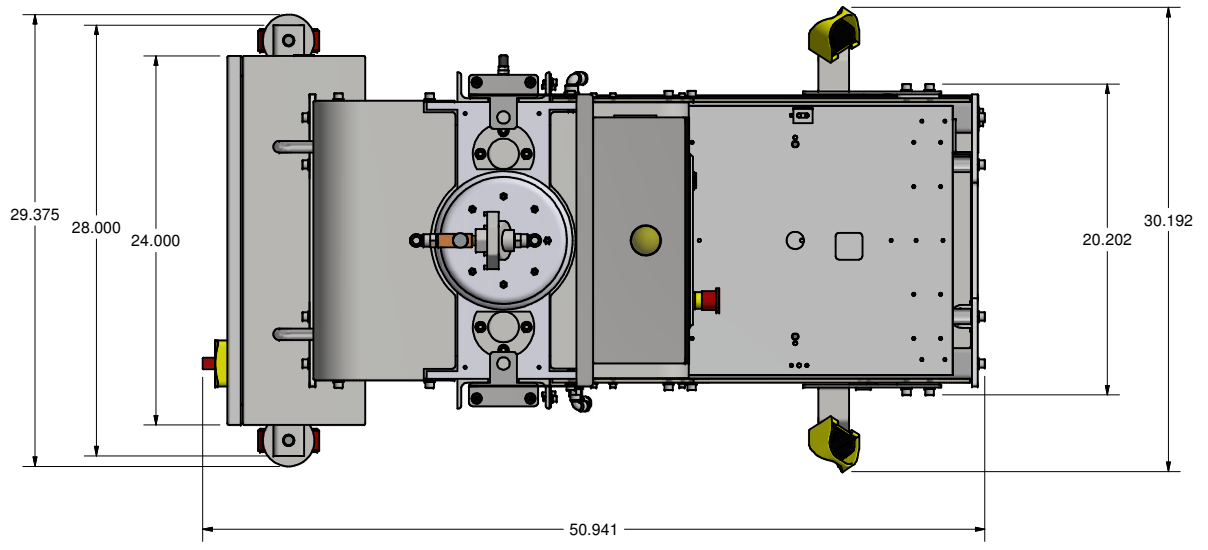
5

4

3

DWG NO. 61-26-87-1-6-1 SH 1 REV

1



D

D

C

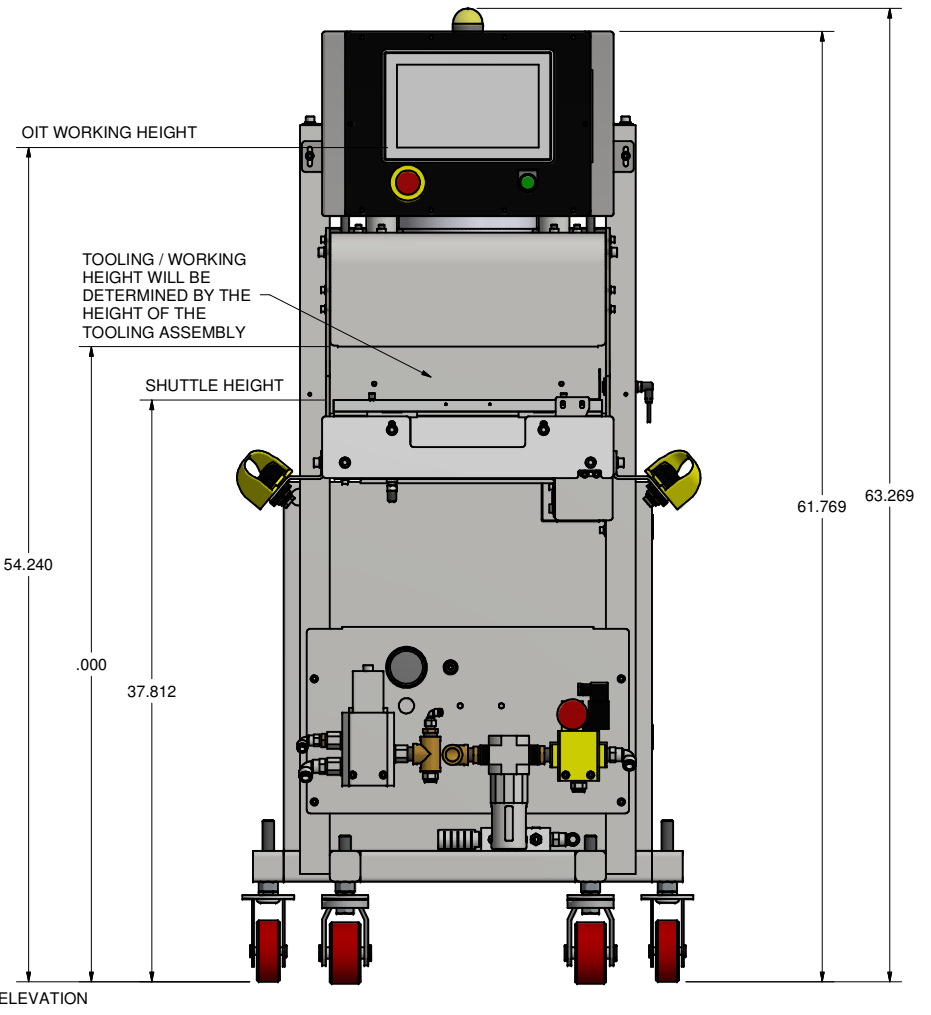
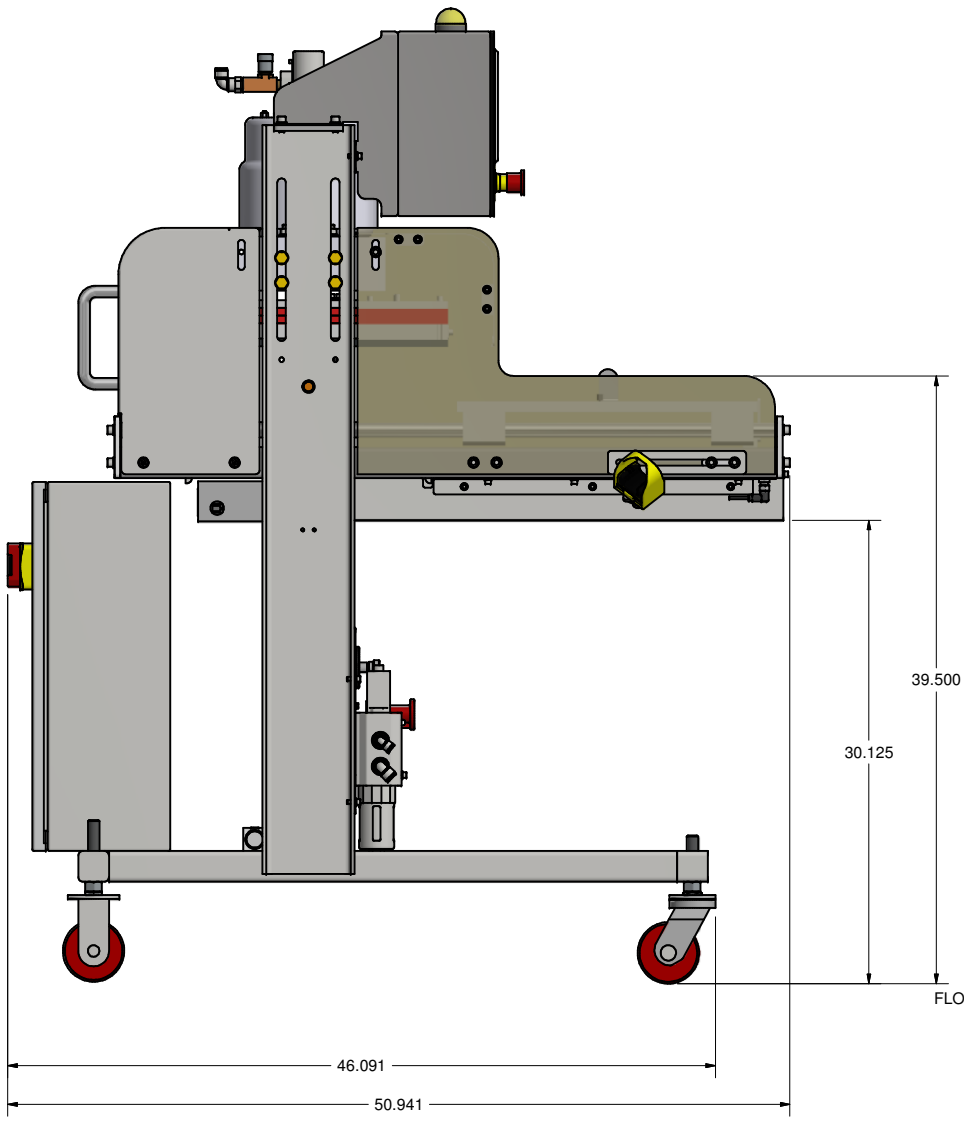
C

B

B

A

A



FLOOR ELEVATION

STATEMENT OF OWNERSHIP: THIS MATERIAL IS THE EXCLUSIVE PROPERTY OF ATLAS VAC MACHINE LLC AND MUST BE RETURNED TO ATLAS VAC MACHINE LLC IMMEDIATELY UPON REQUEST. THIS MATERIAL AND THE INFORMATION ILLUSTRATED OR CONTAINED HEREIN MAY NOT BE REPRODUCED, COPIED, USED OR TRANSMITTED IN WHOLE OR PART IN ANY WAY WITHOUT THE PRIOR WRITTEN CONSENT OF ATLAS VAC MACHINE LLC.

UNLESS OTHERWISE SPECIFIED DIMENSIONS ARE IN INCHES. TOLERANCES ARE: .X ±.1 ANGLES ±1° .XX ±.015 SURF FINISH 125 .XXX ±.005 SURF FINISH V DO NOT SCALE DRAWING THIRD ANGLE PROJECTION	CONTRACT NO.		<b>Atlas Vac Machine</b> PO Box 42633, Cincinnati, Ohio 45242	
	APPROVALS	DATE		
MATERIAL	DESIGN	moliver	11/2/2006	DESCRIPTION <b>1518 Single Side Tray Sealer Assembly</b>
TREATMENT	MFG			
FINISH	CAD FILE NAME 61-26-87-1-6-1.idw	SCALE		SIZE <b>D</b>
				CAGE CODE <b>99296</b>
				DWG. NO. <b>61-26-87-1-6-1</b>
				REV. 1 OF 1

8

7

6

5

4

3

2

1

C:\Users\Mike\Documents\Eng Copy Server\Engineering\Atlas Vac Models\_R&D\15-18 Sealer\61-26-87-1-6-1.idw