

8

7

6

5

4

3

DWG NO. 6282016-SK SH 1 REV 1

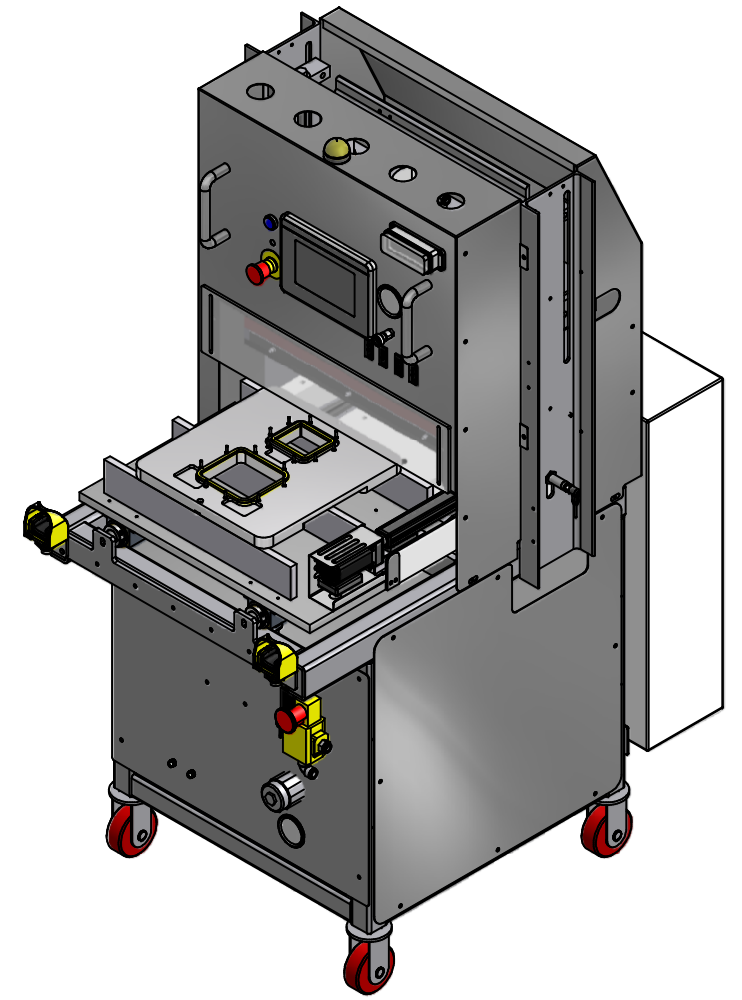
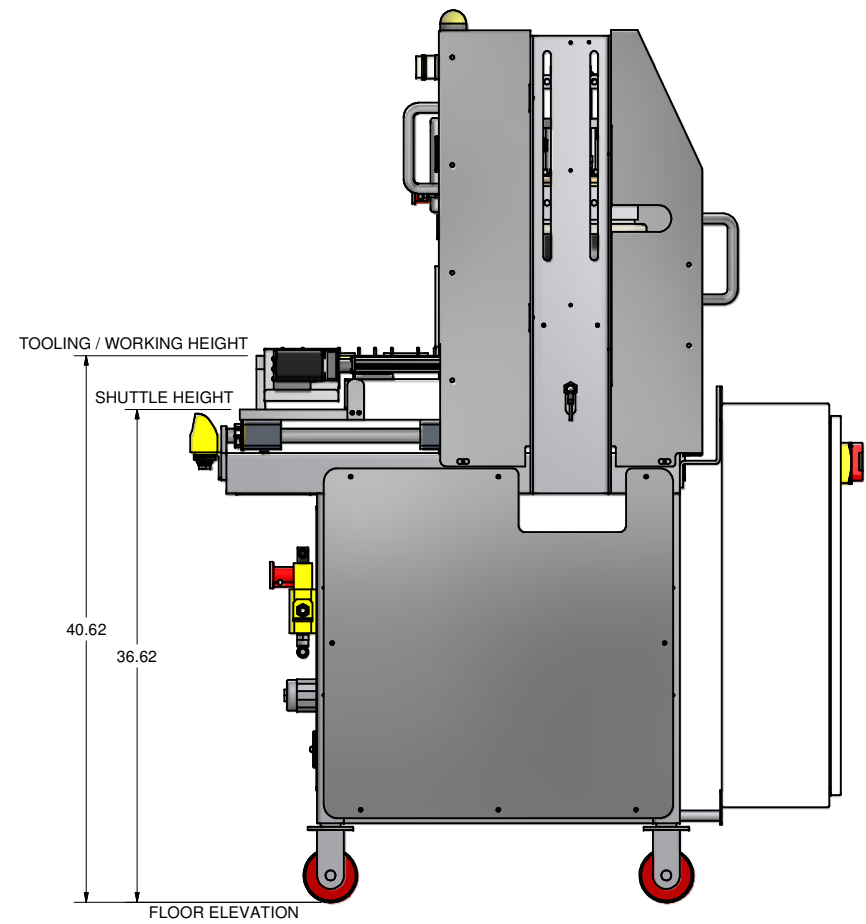
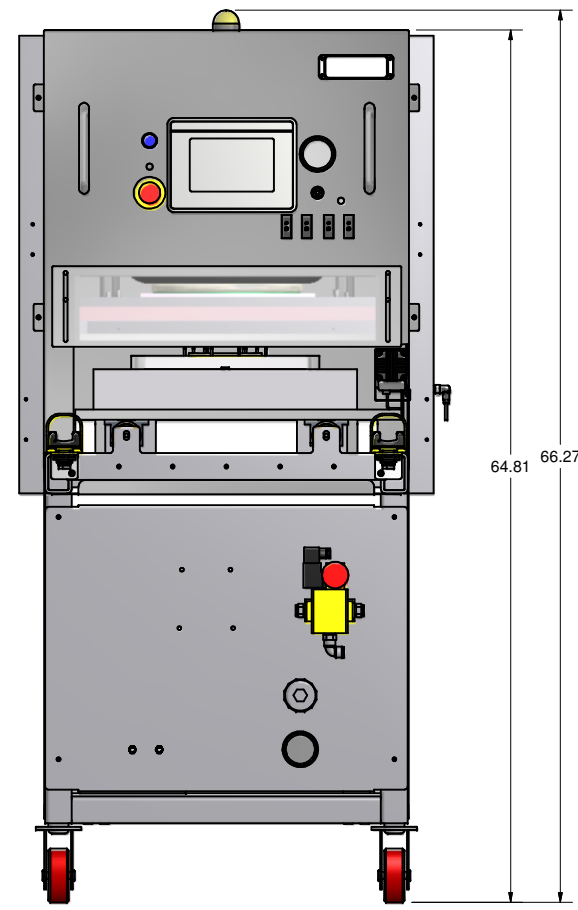
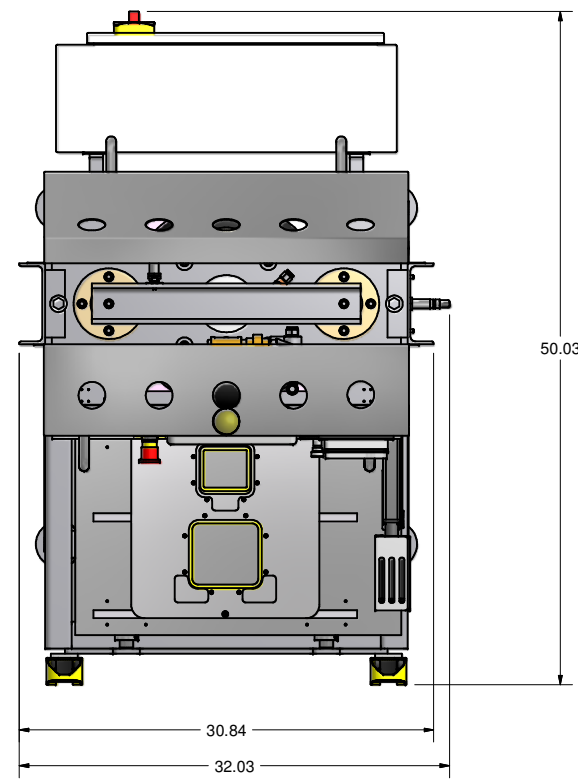
1

D

C

B

A



D

C

B

A

DWG NO. 6282016-SK SH 1 REV 1

UNLESS OTHERWISE SPECIFIED DIMENSIONS ARE IN INCHES. TOLERANCES ARE:
 .X ±.1 ANGLES ±1°
 .XX ±.015 SURF FINISH 125/
 .XXX ±.005 SURF FINISH V
 DO NOT SCALE DRAWING

THIRD ANGLE PROJECTION

CONTRACT NO.		APPROVALS		DATE	DESCRIPTION	
		DRAWN Mike		6/28/2016	15:22 Tray Sealer Assembly	
MATERIAL		DESIGN		mikey	11/13/2008	SIZE
TREATMENT		MFG				CAGE CODE
FINISH		CAD FILE NAME		6282016-SK.idw		DWG. NO.
						REV.
						SCALE
						CALC. WT ACT. WT
						SHEET
						1 OF 1

STATEMENT OF OWNERSHIP: THIS MATERIAL IS THE EXCLUSIVE PROPERTY OF ATLAS VAC MACHINE LLC AND MUST BE RETURNED TO ATLAS VAC MACHINE LLC IMMEDIATELY UPON REQUEST. THIS MATERIAL AND THE INFORMATION ILLUSTRATED OR CONTAINED HEREIN MAY NOT BE REPRODUCED, COPIED, USED OR TRANSMITTED IN WHOLE OR PART IN ANY WAY WITHOUT THE PRIOR WRITTEN CONSENT OF ATLAS VAC MACHINE LLC.

Atlas Vac Machine
 PO Box 42633, Cincinnati, Ohio 45242

8

7

6

5

4

3

2

1

N:\Atlas Vac Models, R&D\15-22 Sealer\6282016-SK.idw