

8

7

6

5

4

3

DWG NO. 1042013-SK-1 SH 1 REV

1

D

C

B

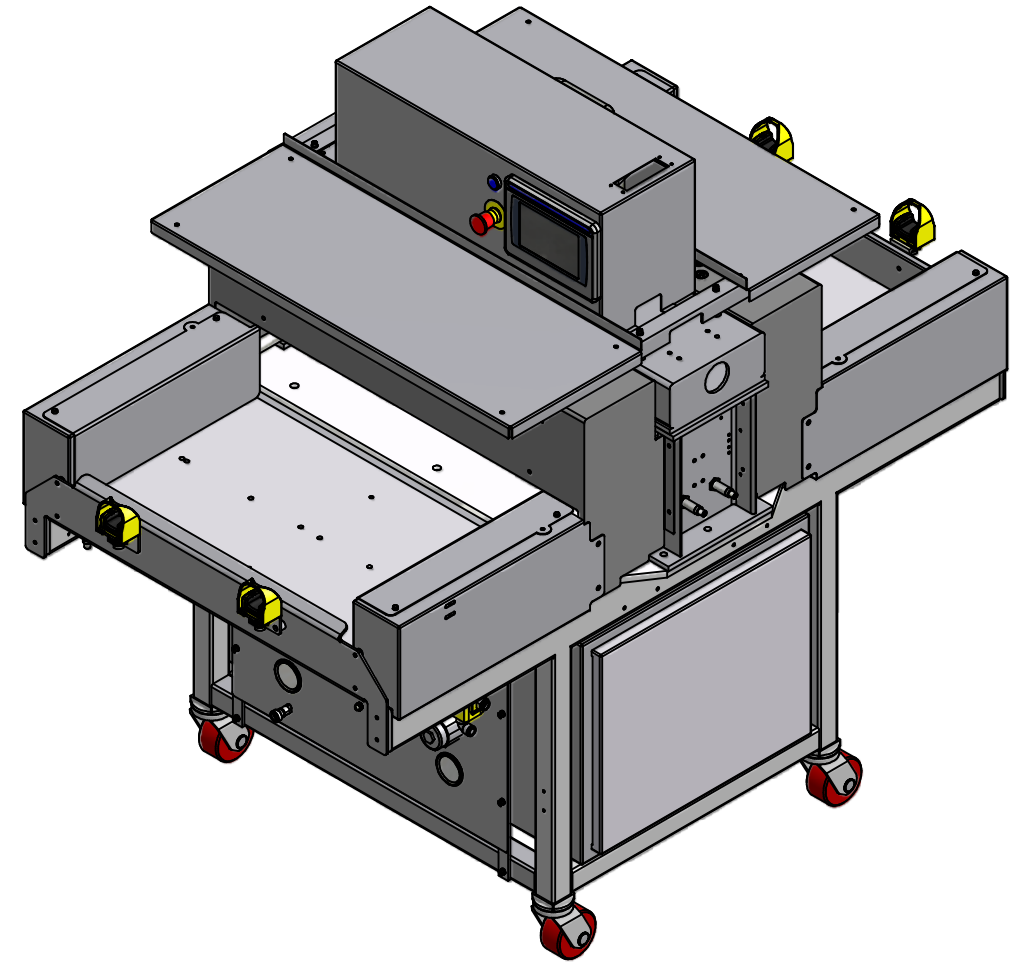
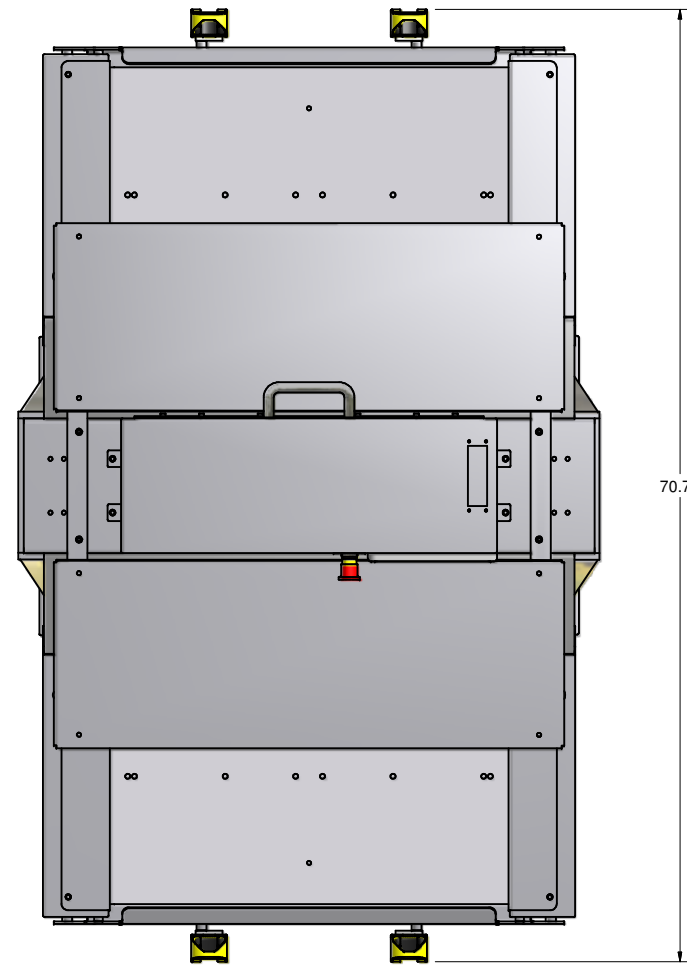
A

D

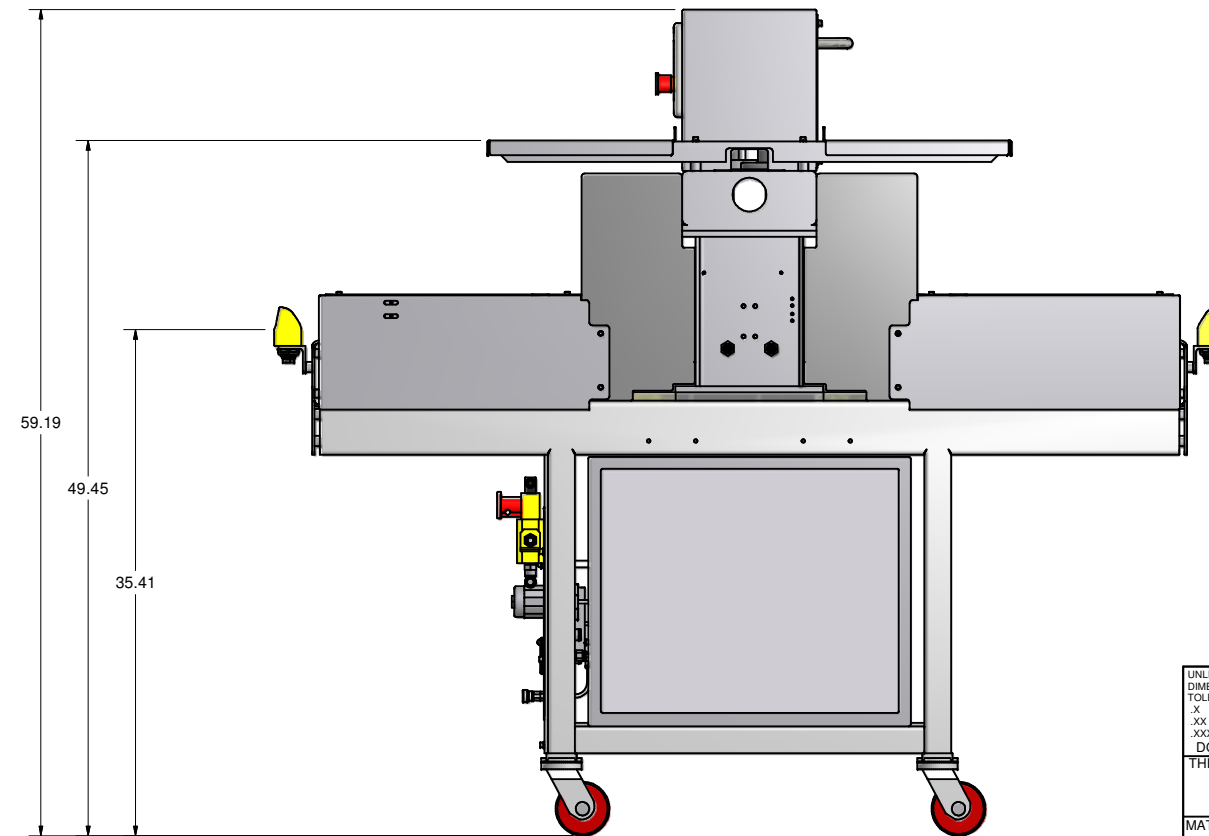
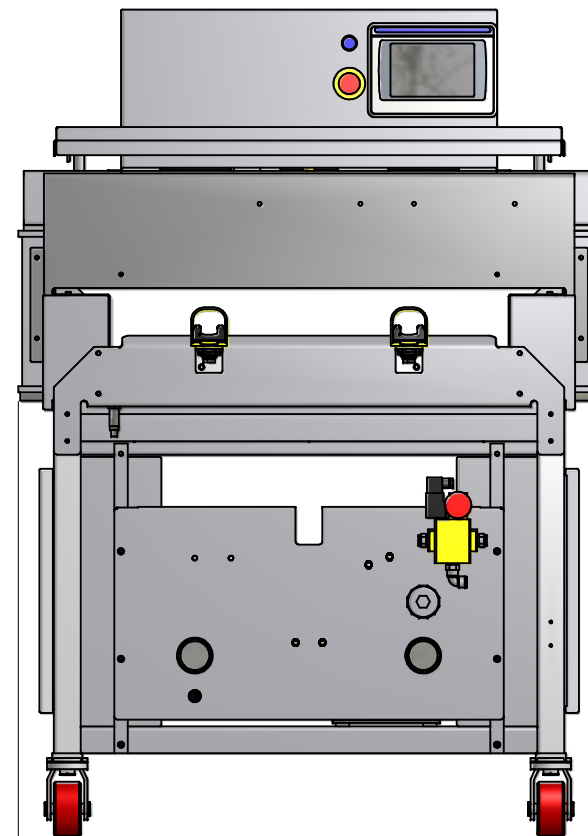
C

B

A



ADD 3" TO THE HEIGHT FOR STACK LIGHT OPTION



UNLESS OTHERWISE SPECIFIED DIMENSIONS ARE IN INCHES. TOLERANCES ARE: .X ±.1 ANGLES ±1° .XX ±.015 SURF FINISH 125 .XXX ±.005 DO NOT SCALE DRAWING		CONTRACT NO.		<b>Atlas Vac Machine</b>	
THIRD ANGLE PROJECTION		APPROVALS	DATE	DESCRIPTION	
MATERIAL		DRAWN	10/4/2013	Dual Side 18x30 Tray Sealer	
TREATMENT		CHECKED		SIZE	CAGE CODE
FINISH		ENGR		<b>D</b>	<b>99296</b>
		DESIGN	2/5/2009	DWG. NO.	<b>1042013-SK-1</b>
		MFG		SCALE	CALC. WT ACT. WT SHEET
		CAD FILE NAME			1 OF 1
		AVC-Detail.dwg			

DWG NO. 1042013-SK-1 SH 1 REV

N:\Inventor\Files\Templates\Inventor Templates\AVC-Detail.dwg