

8

7

6

5

4

3

DWG NO. 1042013-SK SH 1 REV

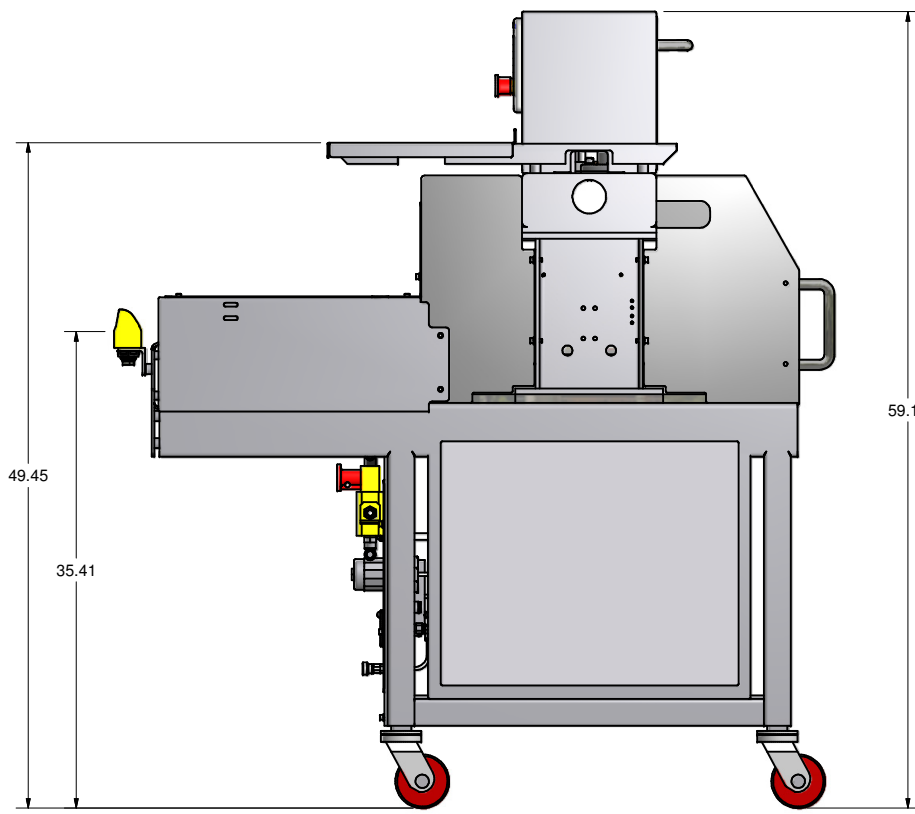
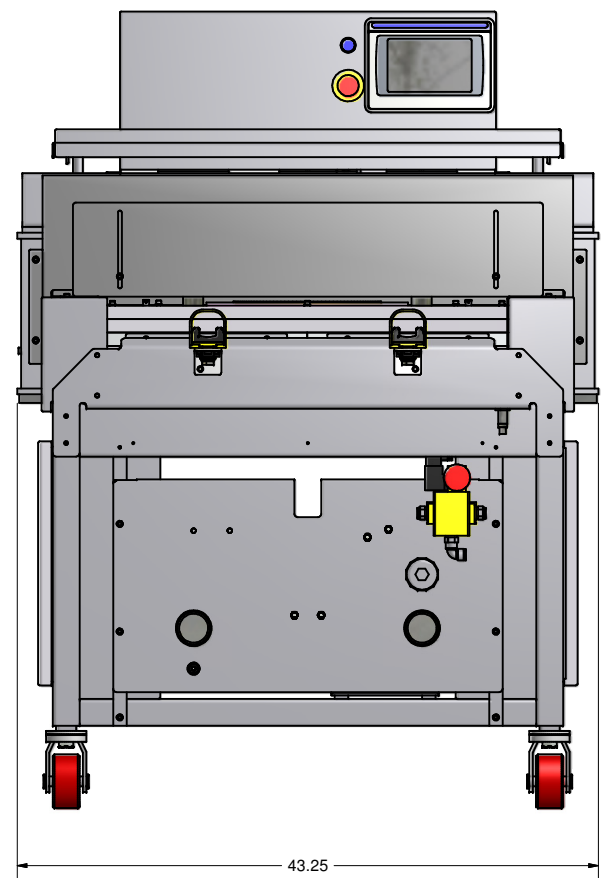
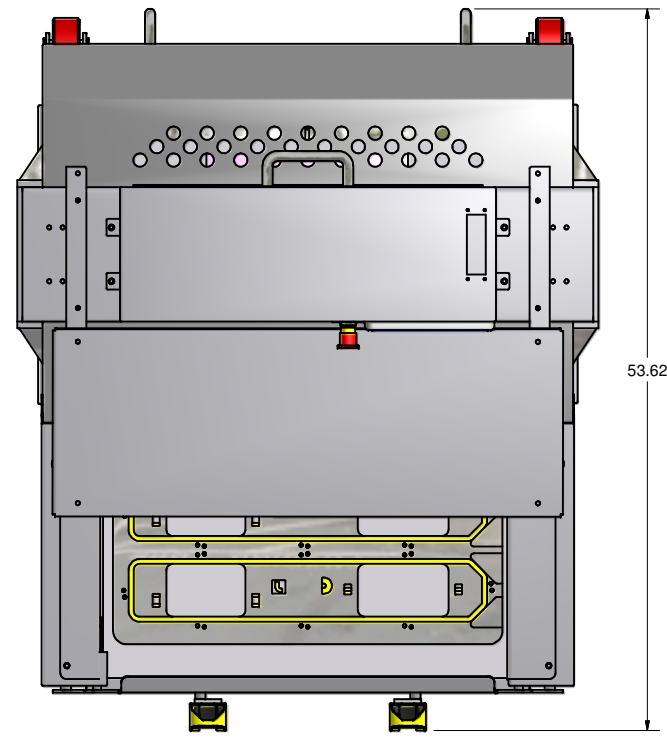
1

D

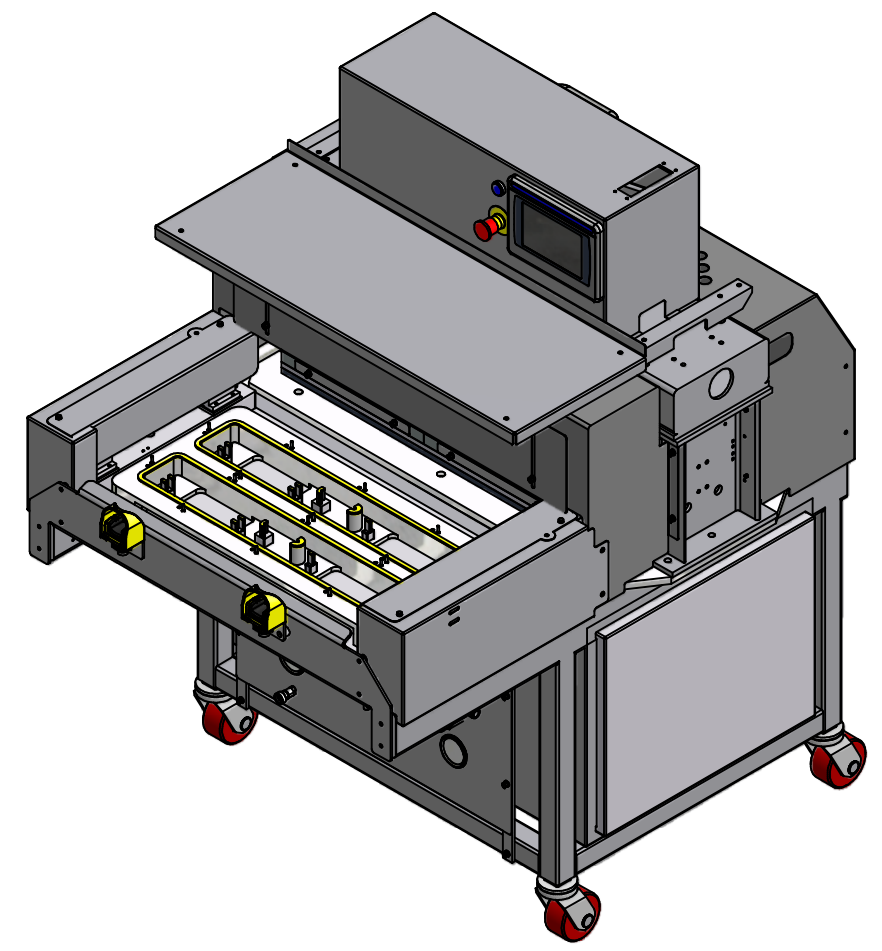
C

B

A



ADD 3" TO THE HEIGHT FOR STACK LIGHT OPTION



D

C

B

A

DWG NO. 1042013-SK SH 1 REV

N:\Atlas Vac Models, R&D\18X30 Single Side Auto.idw

UNLESS OTHERWISE SPECIFIED DIMENSIONS ARE IN INCHES. TOLERANCES ARE:  
 .X ±.1 ANGLES ±1°  
 .XX ±.015 SURF FINISH 125  
 .XXX ±.005 DO NOT SCALE DRAWING  
 THIRD ANGLE PROJECTION

|              |  |                                      |                        |
|--------------|--|--------------------------------------|------------------------|
| CONTRACT NO. |  | <b>Atlas Vac Machine</b>             |                        |
| APPROVALS    | DATE                                       | PO Box 42633, Cincinnati, Ohio 45242 |                        |
| DRAWN        | mikeo 10/4/2013                            | DESCRIPTION                          |                        |
| CHECKED      |  | Single Side 18x30 Tray Sealer        |                        |
| ENGR         |  | SIZE                                 | CAGE CODE              |
| DESIGN       | moliver 10/1/2007                          | <b>D</b>                             | 99296                  |
| TREATMENT    | MFG  | DWG. NO.                             | <b>1042013-SK</b>      |
| FINISH       | CAD FILE NAME<br>1830 Single Side Auto.idw | SCALE                                | CALC. WT ACT. WT SHEET |

STATE OF OWNERSHIP: THIS MATERIAL IS THE EXCLUSIVE PROPERTY OF ATLAS VAC MACHINE LLC AND MUST BE RETURNED TO ATLAS VAC MACHINE LLC IMMEDIATELY UPON REQUEST. THIS MATERIAL AND THE INFORMATION ILLUSTRATED OR CONTAINED HEREIN MAY NOT BE REPRODUCED, COPIED, USED OR TRANSMITTED IN WHOLE OR PART IN ANY WAY WITHOUT THE PRIOR WRITTEN CONSENT OF ATLAS VAC MACHINE LLC.

1 OF 1