

8

7

6

5

4

3

DWG NO. 592018-SK SH 1 REV 1

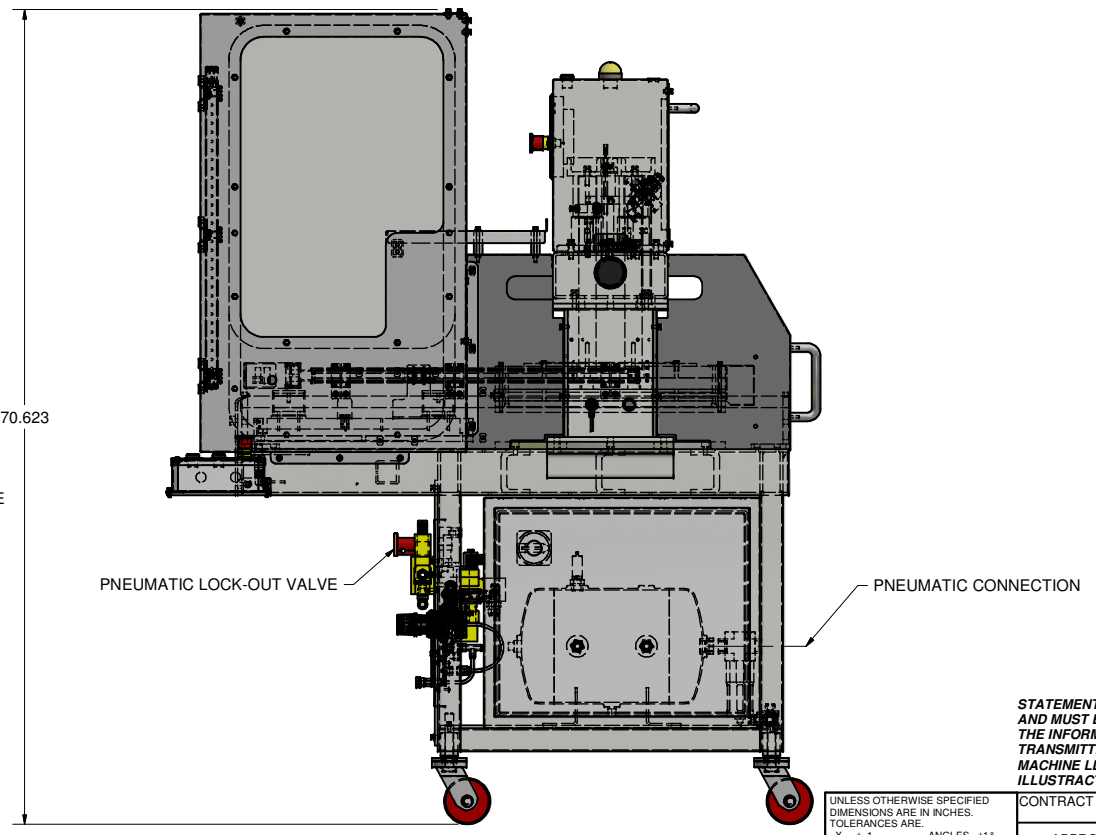
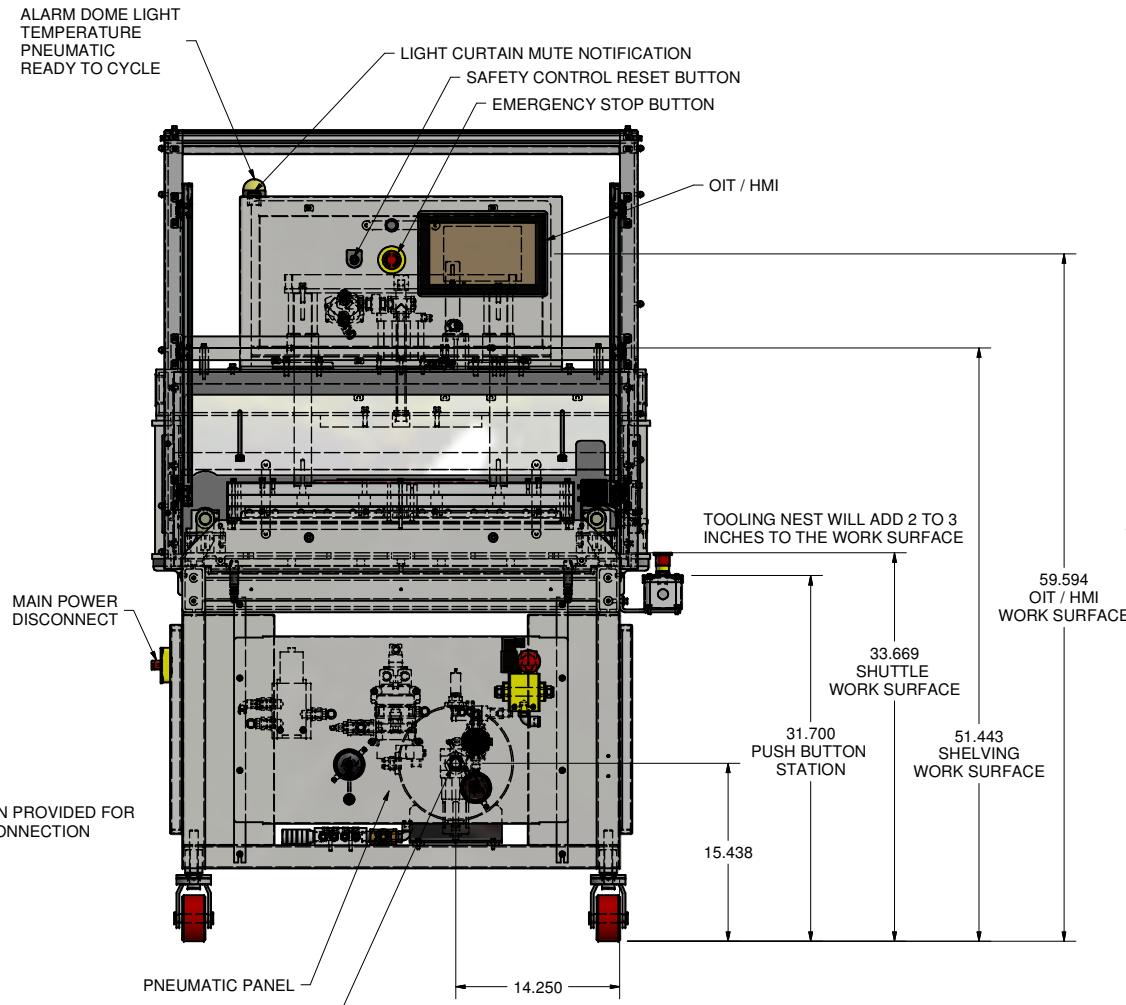
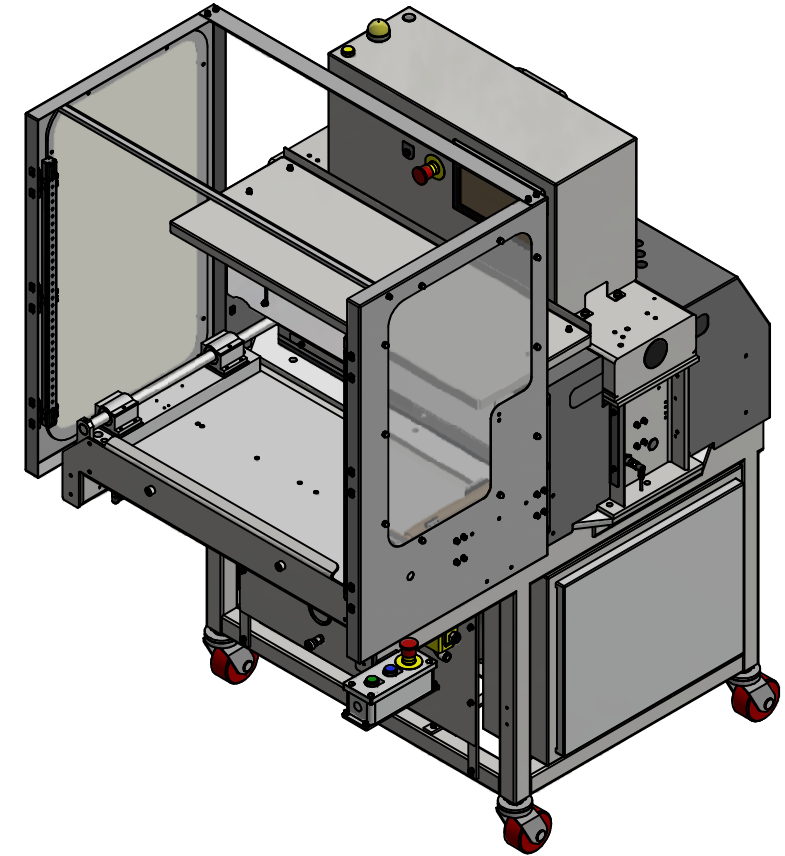
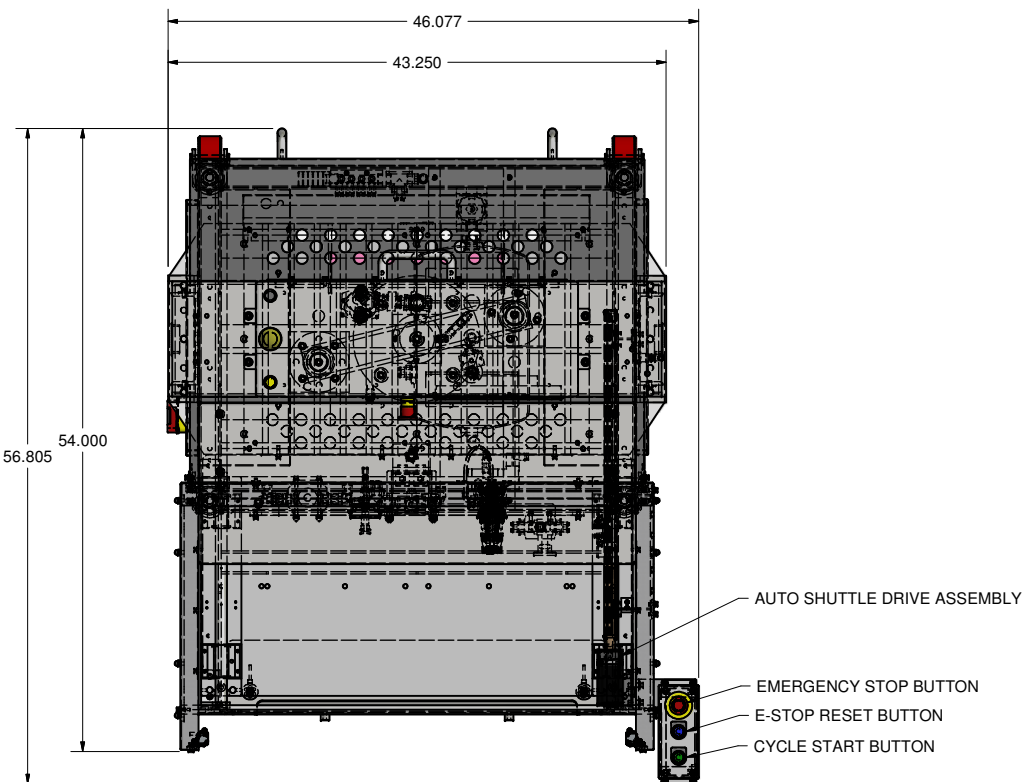
1

D

C

B

A



NOTE: SEE SECTION 2 FOR ELECTRICAL AND PNEUMATIC REQUIREMENTS

STATEMENT OF OWNERSHIP: THIS MATERIAL IS THE EXCLUSIVE PROPERTY OF ATLAS VAC MACHINE LLC AND MUST BE RETURNED TO ATLAS VAC MACHINE LLC IMMEDIATELY UPON REQUEST. THIS MATERIAL AND THE INFORMATION ILLUSTRATED OR CONTAINED HEREIN MAY NOT BE REPRODUCED, COPIED, USED OR TRANSMITTED IN WHOLE OR PART IN ANY WAY WITHOUT THE PRIOR WRITTEN CONSENT OF ATLAS VAC MACHINE LLC. UNLICENSED DUPLICATION OF ANY ATLAS VAC MACHINE LLC COMPONENT OR ASSEMBLY ILLUSTRATED IN WHOLE OR PART IS PROHIBITED AND SUBJECT TO PROSECUTION.

UNLESS OTHERWISE SPECIFIED DIMENSIONS ARE IN INCHES. TOLERANCES ARE: .X ±.1 ANGLES ±1° .XX ±.015 SURF FINISH 125/ .XXX ±.005 DO NOT SCALE DRAWING		CONTRACT NO.		<b>Atlas Vac Machine</b>	
THIRD ANGLE PROJECTION		APPROVALS	DATE	DESCRIPTION	
DRAWN		Mike	5/9/2018	Single Side Auto18x30 Tray Sealer	
CHECKED				SIZE	CAGE CODE
ENGR				D	99296
DESIGN		moliver 10/1/2007		DWG. NO.	592018-SK
MATERIAL				SCALE	CALC. WT ACT. WT
TREATMENT		MFG		SHEET 1 OF 1	
FINISH		CAD FILE NAME 592018-SK.iwd			

DWG NO. 592018-SK SH 1 REV 1

\\ay-nast1\Engineering\Atlas Vac Models, R&D\18x30 Single\592018-SK.iwd