

8

7

6

5

4

3

DWG NO. 592022-SK SH 1 REV 1

1

D

D

C

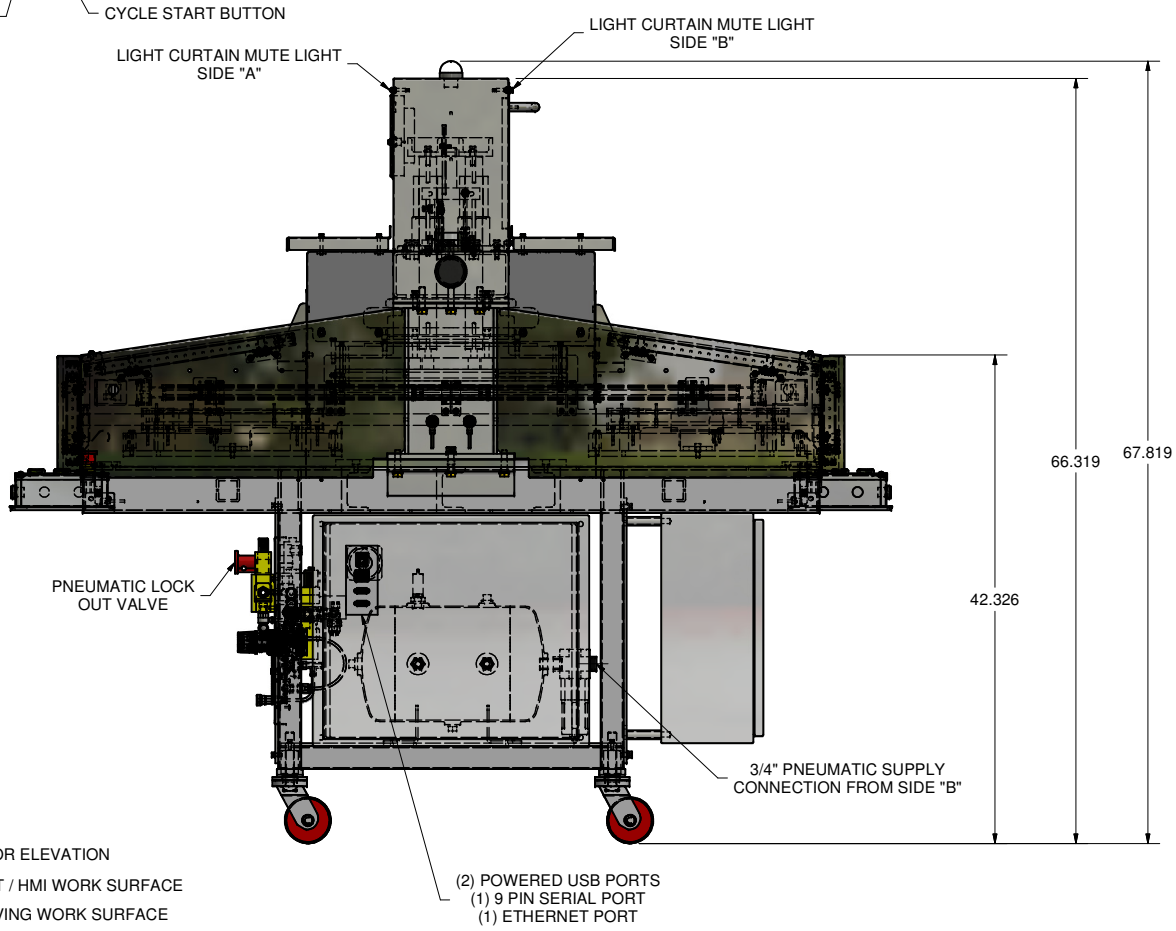
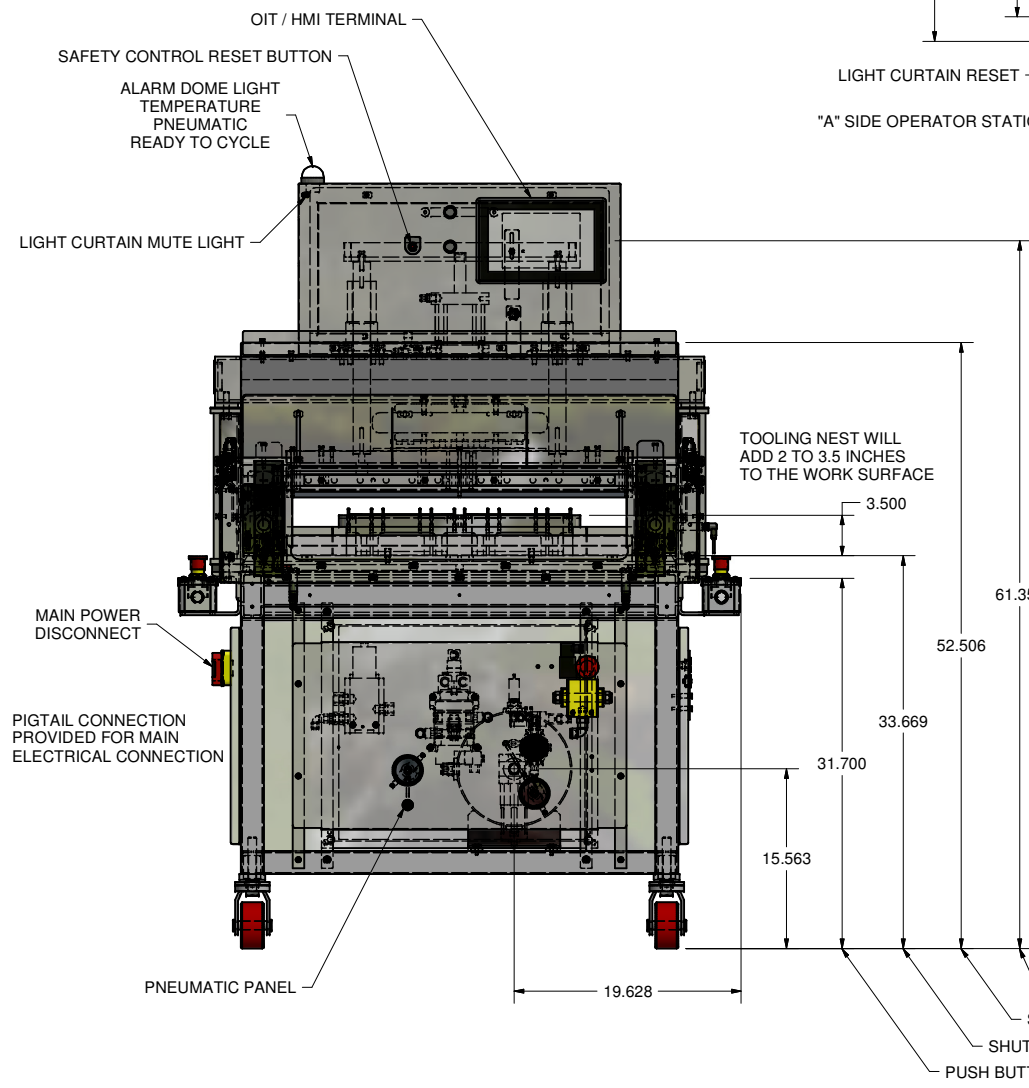
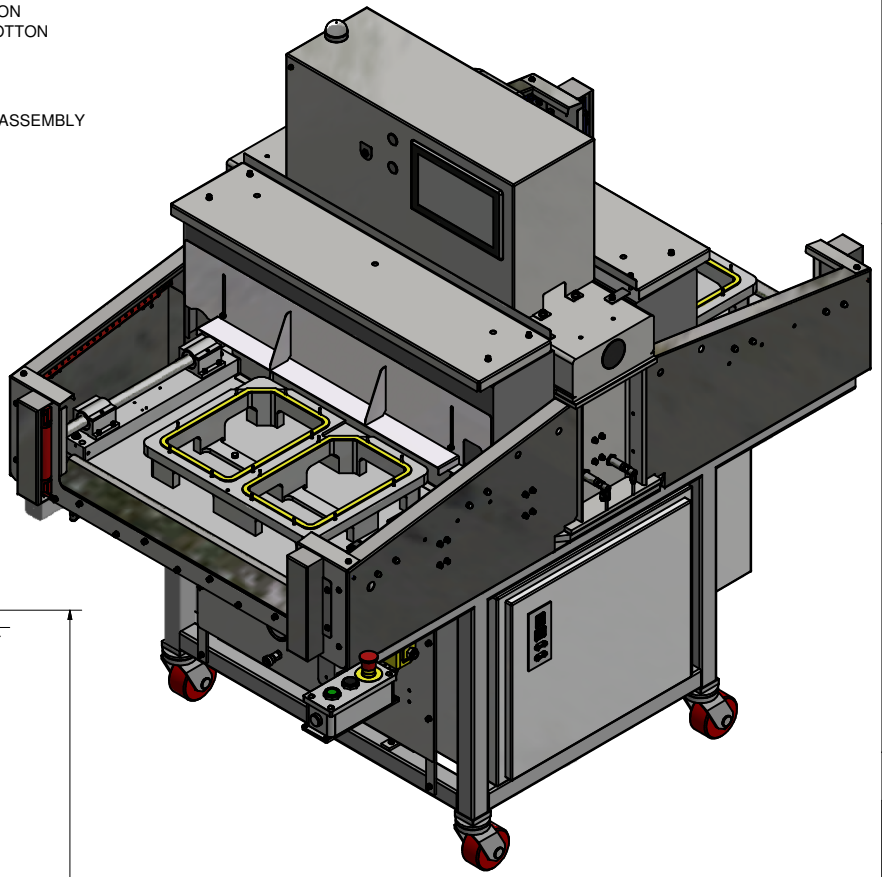
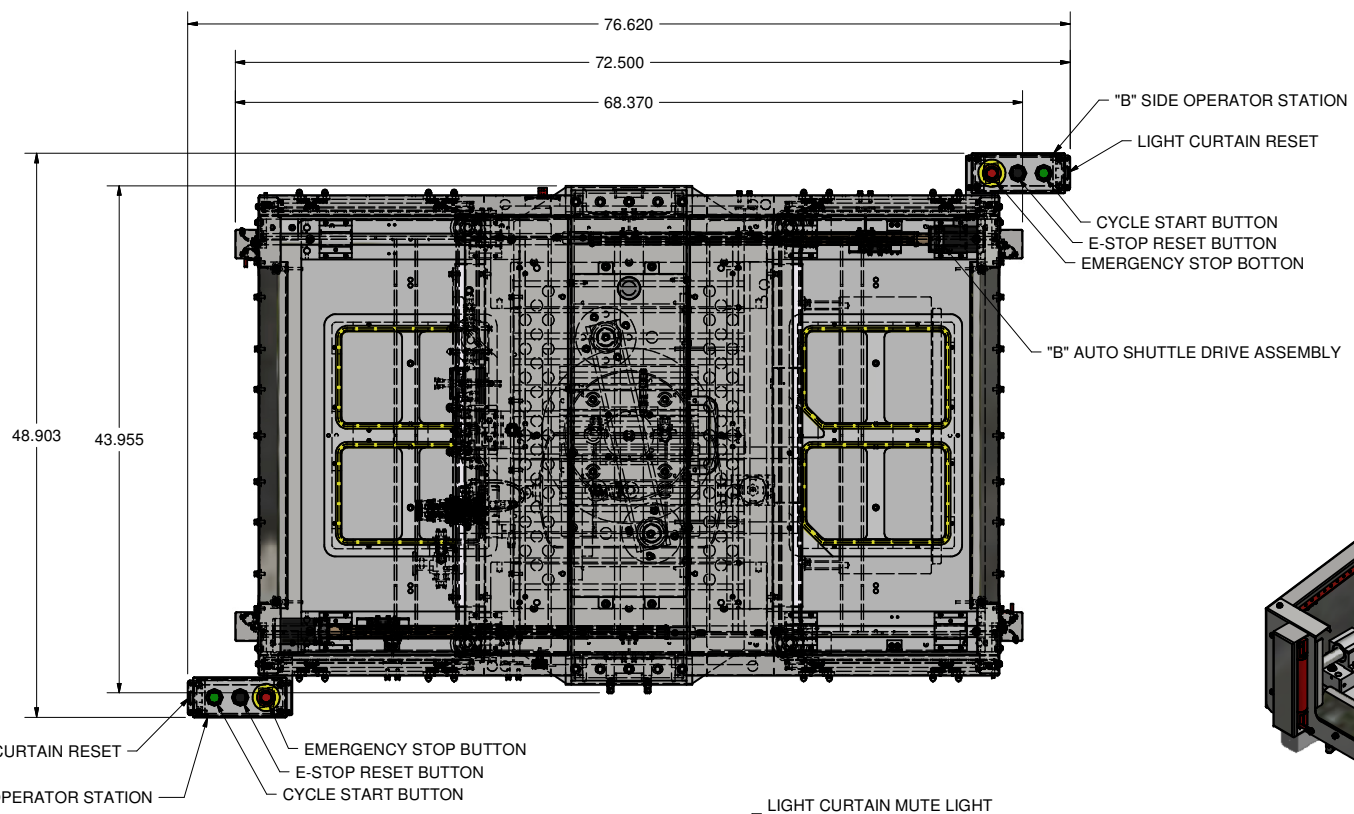
C

B

B

A

A



STATEMENT OF OWNERSHIP: THIS MATERIAL IS THE EXCLUSIVE PROPERTY OF ATLAS VAC MACHINE LLC AND MUST BE RETURNED TO ATLAS VAC MACHINE LLC IMMEDIATELY UPON REQUEST. THIS MATERIAL AND THE INFORMATION ILLUSTRATED OR CONTAINED HEREIN MAY NOT BE REPRODUCED, COPIED, USED OR TRANSMITTED IN WHOLE OR PART IN ANY WAY WITHOUT THE PRIOR WRITTEN CONSENT OF ATLAS VAC MACHINE LLC. UNLICENSED DUPLICATION OF ANY ATLAS VAC MACHINE LLC COMPONENT OR ASSEMBLY ILLUSTRATED IN WHOLE OR PART IS PROHIBITED AND SUBJECT TO PROSECUTION.

UNLESS OTHERWISE SPECIFIED DIMENSIONS ARE IN INCHES. TOLERANCES ARE: .X ±.1 ANGLES ±1° .XX ±.015 SURF FINISH 125 XXX ±.005 SURF FINISH V DO NOT SCALE DRAWING THIRD ANGLE PROJECTION		CONTRACT NO.		APPROVALS		DATE		DESCRIPTION	
MATERIAL		DESIGN		mikeo		2/5/2009		1830 TRAY SEALER ASSEMBLY	
TREATMENT		MFG		D		99296		CAGE CODE 592022-SK	
FINISH		CAD FILE NAME 592022-SK.idw		SCALE		CALC WTT ACT WTT		SHEET 1 OF 1	

DWG NO. 592022-SK

SH 1 REV 1

N:\Atlas Vac Models, R&D\18-30 Dual Side Updated\592022-SK.idw