



# SOUTH SHORE PHRF HANDICAP CERTIFICATE

PHRF-SS, LLC., PO Box 347021, Cleveland, OH 44134

<http://phrfss.org>

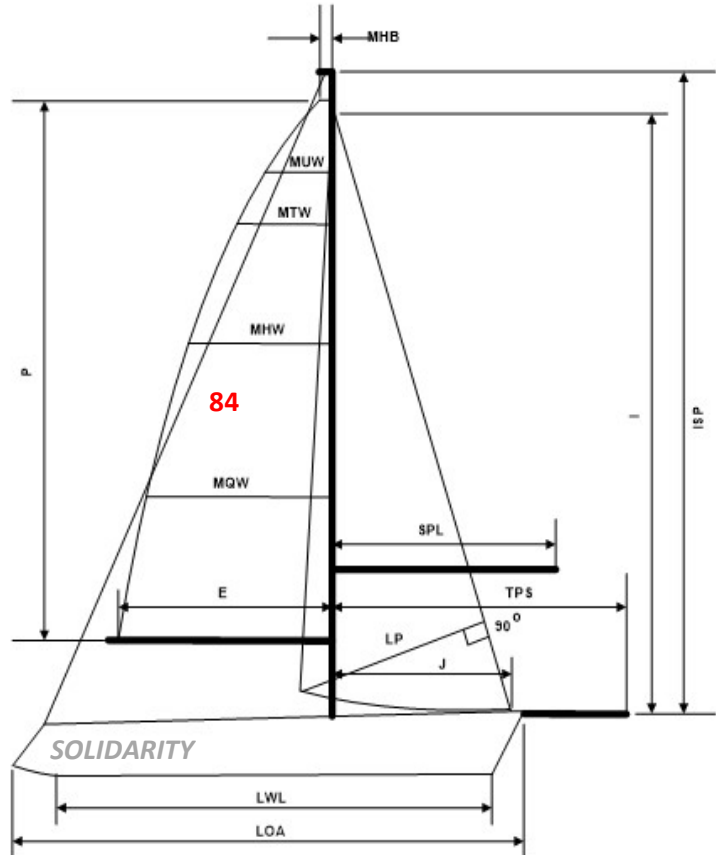
**HCP (Handicap):** 150 sec/nm  
**JAM (Jib & Main):** 156 sec/nm  
**PPF (Perf Prediction Factor):** 9.58  
**TCF (Time Correction Factor):** 0.9628

CREW WEIGHT LIMIT: 1763 LBS.

**YACHT NAME:** SOLIDARITY  
**DESIGN:** J-30  
**OWNER:** Paul Blonski  
**CERTIFICATE:** STND  
**CLASSIFICATION:** DSPL  
**SAIL NO:** 84  
**POWER:** IB  
**CLUB:** EWYC

**LOA:** 29.92 FT.  
**LWL:** 25.00 FT.  
**BEAM:** 11.20 FT.  
**DRAFT:** 5.25 FT.  
**DISPLACEMENT:** 6700 LBS.  
**BALLAST:** 2100 LBS.  
**SAIL AREA:** 443 SQ. FT.  
**BASE SPIN:** 591 SQ. FT  
**EST. FORESTAY:** 34.10 FT.

**I:** 34.00 FT.  
**ISP:** 34.19 FT.  
**J:** 11.50 FT.  
**JSP/TPS:** 12.50 FT.  
**P:** 38.00 FT.  
**E:** 13.00 FT.  
**SADR:** 19.98  
**DLR:** 191.43



## HANDICAP ADJUSTMENTS

+3RFG

*Adjustments must be requested by the owner and are only made based on visual inspection and/or physical measurement by an authorized PHRF-SS measurer. Fixed Prop credit is for 3-bladed or more fixed prop in aperture or on exposed strut. Asymmetric credit is for an aftermarket sprit pole per Section 20 – Asymmetric Spinnakers. If Asymmetric Credit is given, a symmetrical spinnaker may not be flown at any event designated PHRF-SS. Codes appear in Section 8 - Handicap Adjustments of the PHRF-SS Rules & Bylaws.*

Owner Signature: \_\_\_\_\_

*My signature attests to the fact that all the information contained on this certificate is true and correct to the best of my knowledge and that I have not made any modifications to the boat which have not been reported to PHRF-SS.*

**Certificate Issue: 2/27/2024**

**Certificate Expires: 3/31/2025**



# SOUTH SHORE PHRF HANDICAP CERTIFICATE

PHRF-SS, LLC., PO Box 347021, Cleveland, OH 44134

<http://phrfss.org>

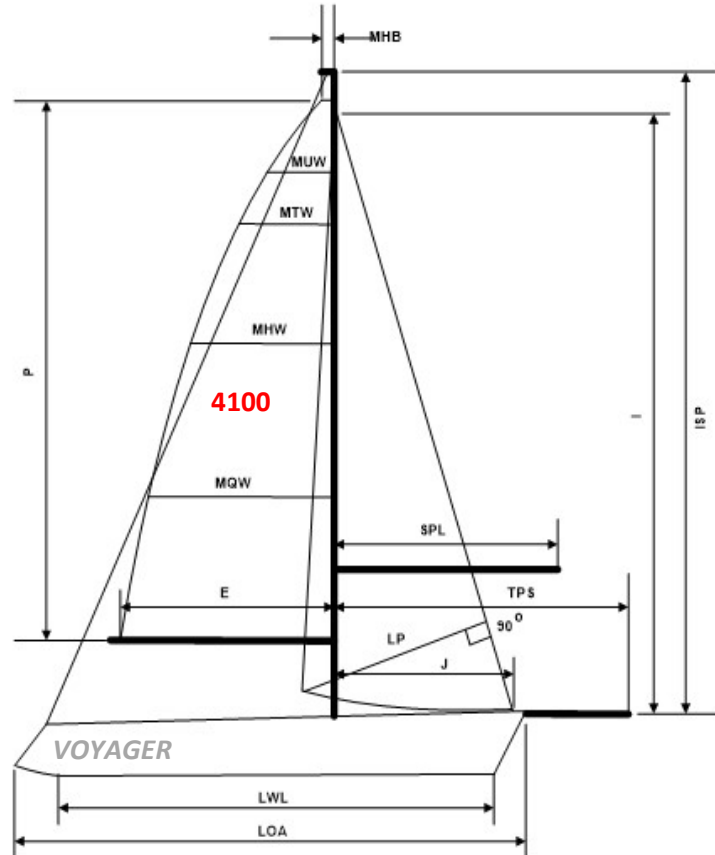
**HCP (Handicap):** 93 sec/nm  
**JAM (Jib & Main):** 101 sec/nm  
**PPF (Perf Prediction Factor):** 11.43  
**TCF (Time Correction Factor):** 1.0710

CREW WEIGHT LIMIT: 2388 LBS.

**YACHT NAME:** VOYAGER  
**DESIGN:** TARTAN 4100 TM SD  
**OWNER:** Hunter Chisholm  
**CERTIFICATE:** STND  
**CLASSIFICATION:** DSPL  
**SAIL NO:** 4100  
**POWER:** IB  
**CLUB:** LYC

**LOA:** 41.25 FT.  
**LWL:** 35.75 FT.  
**BEAM:** 13.50 FT.  
**DRAFT:** 5.33 FT.  
**DISPLACEMENT:** 20400 LBS.  
**BALLAST:** 8000 LBS.  
**SAIL AREA:** 811 SQ. FT.  
**BASE SPIN:** 1198 SQ. FT  
**EST. FORESTAY:** 53.24 FT.

**I:** 54.00 FT.  
**ISP:** 54.00 FT.  
**J:** 15.00 FT.  
**JSP/TPS:** 15.00 FT.  
**P:** 47.75 FT.  
**E:** 17.00 FT.  
**SADR:** 17.44  
**DLR:** 199.32



## HANDICAP ADJUSTMENTS

*Adjustments must be requested by the owner and are only made based on visual inspection and/or physical measurement by an authorized PHRF-SS measurer. Fixed Prop credit is for 3-bladed or more fixed prop in aperture or on exposed strut. Asymmetric credit is for an aftermarket sprit pole per Section 20 – Asymmetric Spinnakers. If Asymmetric Credit is given, a symmetrical spinnaker may not be flown at any event designated PHRF-SS. Codes appear in Section 8 - Handicap Adjustments of the PHRF-SS Rules & Bylaws.*

Owner Signature: \_\_\_\_\_

*My signature attests to the fact that all the information contained on this certificate is true and correct to the best of my knowledge and that I have not made any modifications to the boat which have not been reported to PHRF-SS.*

**Certificate Issue: 3/21/2024**

**Certificate Expires: 3/31/2025**



# SOUTH SHORE PHRF HANDICAP CERTIFICATE

PHRF-SS, LLC., PO Box 347021, Cleveland, OH 44134

<http://phrfss.org>

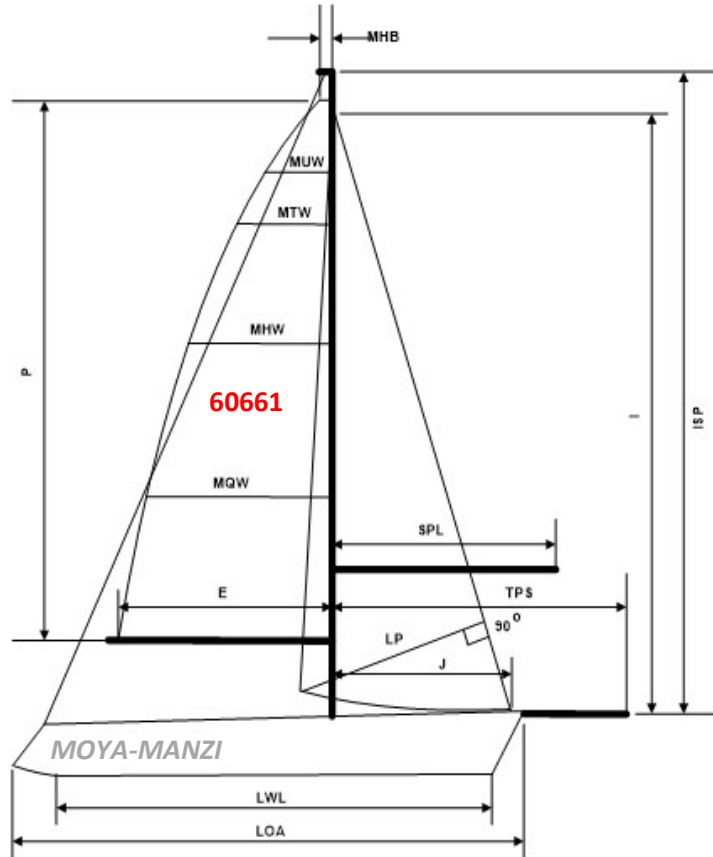
**HCP (Handicap):** 168 sec/nm  
**JAM (Jib & Main):** 176 sec/nm  
**PPF (Perf Prediction Factor):** 9.65  
**TCF (Time Correction Factor):** 0.9330

CREW WEIGHT LIMIT: 1849 LBS.

**YACHT NAME:** MOYA-MANZI  
**DESIGN:** OCEANIS (BENET) 321  
**OWNER:** Mark Corson  
**CERTIFICATE:** STND  
**CLASSIFICATION:** DSPL  
**SAIL NO:** 60661  
**POWER:** IB  
**CLUB:** EWYC

**LOA:** 32.64 FT.  
**LWL:** 29.36 FT.  
**BEAM:** 11.22 FT.  
**DRAFT:** 4.26 FT.  
**DISPLACEMENT:** 9700 LBS.  
**BALLAST:** 3000 LBS.  
**SAIL AREA:** 502 SQ. FT.  
**BASE SPIN:** 767 SQ. FT  
**EST. FORESTAY:** 41.58 FT.

**I:** 42.00 FT.  
**ISP:** 42.00 FT.  
**J:** 12.30 FT.  
**JSP/TPS:** 12.30 FT.  
**P:** 35.90 FT.  
**E:** 13.60 FT.  
**SADR:** 17.73  
**DLR:** 171.10



## HANDICAP ADJUSTMENTS

+6RFG

*Adjustments must be requested by the owner and are only made based on visual inspection and/or physical measurement by an authorized PHRF-SS measurer. Fixed Prop credit is for 3-bladed or more fixed prop in aperture or on exposed strut. Asymmetric credit is for an aftermarket sprit pole per Section 20 – Asymmetric Spinnakers. If Asymmetric Credit is given, a symmetrical spinnaker may not be flown at any event designated PHRF-SS. Codes appear in Section 8 - Handicap Adjustments of the PHRF-SS Rules & Bylaws.*

Owner Signature: \_\_\_\_\_

*My signature attests to the fact that all the information contained on this certificate is true and correct to the best of my knowledge and that I have not made any modifications to the boat which have not been reported to PHRF-SS.*

Certificate Issue: 2/27/2024

Certificate Expires: 3/31/2025



# SOUTH SHORE PHRF HANDICAP CERTIFICATE

PHRF-SS, LLC., PO Box 347021, Cleveland, OH 44134

<http://phrfss.org>

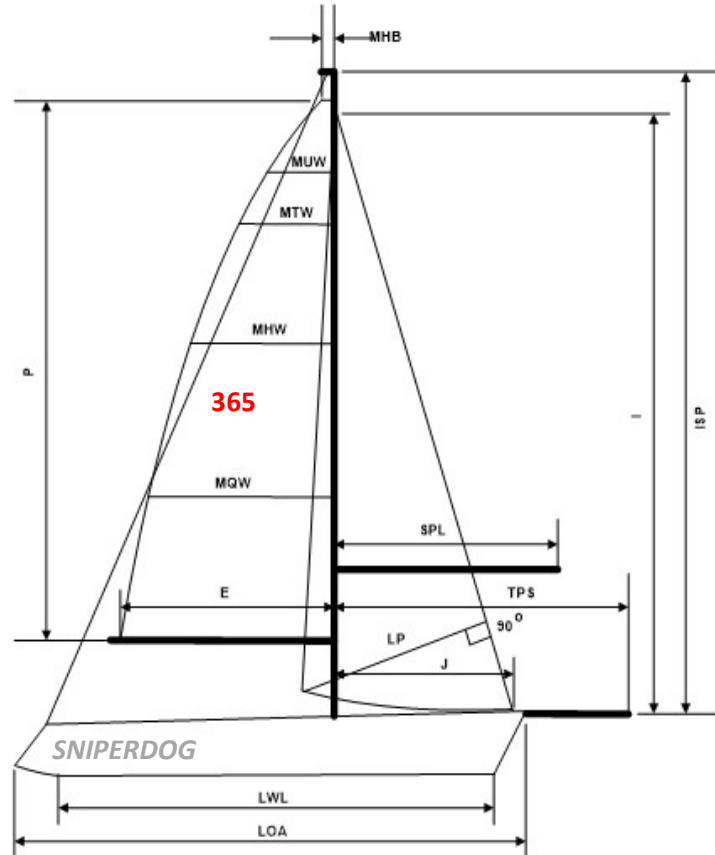
**HCP (Handicap):** 166 sec/nm  
**JAM (Jib & Main):** 174 sec/nm  
**PPF (Perf Prediction Factor):** 14.68  
**TCF (Time Correction Factor):** 0.9362

CREW WEIGHT LIMIT: 1855 LBS.

**YACHT NAME:** SNIPERDOG  
**DESIGN:** CAT 320 WK  
**OWNER:** Phillip Dubiel  
**CERTIFICATE:** STND  
**CLASSIFICATION:** DSPL  
**SAIL NO:** 365  
**POWER:** IB  
**CLUB:** EWYC

**LOA:** 32.5 FT.  
**LWL:** 28 FT.  
**BEAM:** 11.75 FT.  
**DRAFT:** 4.3 FT.  
**DISPLACEMENT:** 11700 LBS.  
**BALLAST:** 4400 LBS.  
**SAIL AREA:** 520 SQ. FT.  
**BASE SPIN:** 796 SQ. FT  
**EST. FORESTAY:** 45.29 FT.

**I:** 43.58 FT.  
**ISP:** 43.58 FT.  
**J:** 12.33 FT.  
**JSP/TPS:** 12.33 FT.  
**P:** 38 FT.  
**E:** 13.25 FT.  
**SADR:** 16.21  
**DLR:** 237.94



## HANDICAP ADJUSTMENTS

*Adjustments must be requested by the owner and are only made based on visual inspection and/or physical measurement by an authorized PHRF-SS measurer. Fixed Prop credit is for 3-bladed or more fixed prop in aperture or on exposed strut. Asymmetric credit is for an aftermarket sprit pole per Section 20 – Asymmetric Spinnakers. If Asymmetric Credit is given, a symmetrical spinnaker may not be flown at any event designated PHRF-SS. Codes appear in Section 8 - Handicap Adjustments of the PHRF-SS Rules & Bylaws.*

Owner Signature: \_\_\_\_\_

*My signature attests to the fact that all the information contained on this certificate is true and correct to the best of my knowledge and that I have not made any modifications to the boat which have not been reported to PHRF-SS.*

**Certificate Issue: 2/27/2024**

**Certificate Expires: 3/31/2025**



# SOUTH SHORE PHRF HANDICAP CERTIFICATE

PHRF-SS, LLC., PO Box 347021, Cleveland, OH 44134

<http://phrfss.org>

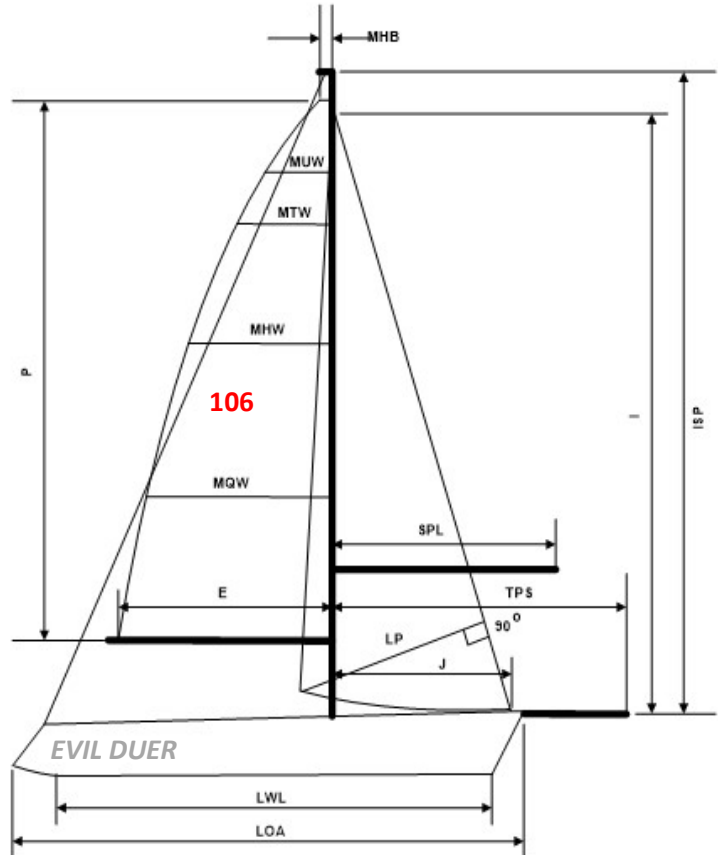
**HCP (Handicap):** 81 sec/nm  
**JAM (Jib & Main):** 89 sec/nm  
**PPF (Perf Prediction Factor):** 2.29  
**TCF (Time Correction Factor):** 1.0969

CREW WEIGHT LIMIT: 1613 LBS.

**YACHT NAME:** EVIL DUER  
**DESIGN:** MELGES 24  
**OWNER:** Nate Duer  
**CERTIFICATE:** STND  
**CLASSIFICATION:** HPRF  
**SAIL NO:** 106  
**POWER:** OB  
**CLUB:** EWYC

**LOA:** 24.00 FT.  
**LWL:** 22.00 FT.  
**BEAM:** 8.20 FT.  
**DRAFT:** 5.00 FT.  
**DISPLACEMENT:** 1750 LBS.  
**BALLAST:** 650 LBS.  
**SAIL AREA:** 291 SQ. FT.  
**BASE SPIN:** 371 SQ. FT  
**EST. FORESTAY:** 27.51 FT.

**I:** 27.85 FT.  
**ISP:** 31.80 FT.  
**J:** 7.95 FT.  
**JSP/TPS:** 12.00 FT.  
**P:** 28.90 FT.  
**E:** 12.45 FT.  
**SADR:** 32.09  
**DLR:** 73.37



## HANDICAP ADJUSTMENTS

*Adjustments must be requested by the owner and are only made based on visual inspection and/or physical measurement by an authorized PHRF-SS measurer. Fixed Prop credit is for 3-bladed or more fixed prop in aperture or on exposed strut. Asymmetric credit is for an aftermarket sprit pole per Section 20 – Asymmetric Spinnakers. If Asymmetric Credit is given, a symmetrical spinnaker may not be flown at any event designated PHRF-SS. Codes appear in Section 8 - Handicap Adjustments of the PHRF-SS Rules & Bylaws.*

Owner Signature: \_\_\_\_\_

*My signature attests to the fact that all the information contained on this certificate is true and correct to the best of my knowledge and that I have not made any modifications to the boat which have not been reported to PHRF-SS.*

**Certificate Issue: 3/24/2024**

**Certificate Expires: 3/31/2025**



# SOUTH SHORE PHRF HANDICAP CERTIFICATE

PHRF-SS, LLC., PO Box 347021, Cleveland, OH 44134

<http://phrfss.org>

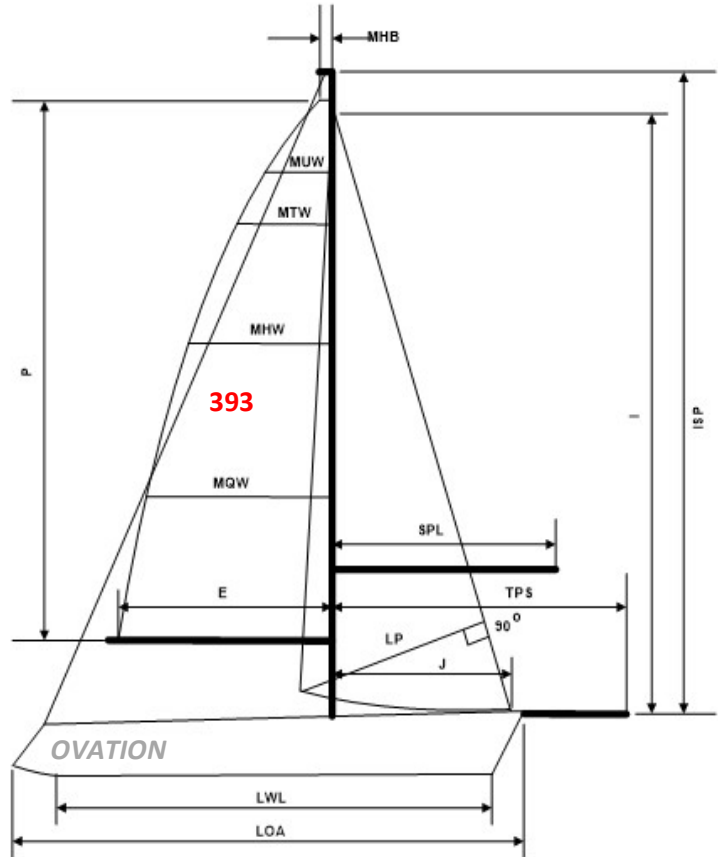
**HCP (Handicap):** 90 sec/nm  
**JAM (Jib & Main):** 100 sec/nm  
**PPF (Perf Prediction Factor):** 6.74  
**TCF (Time Correction Factor):** 1.0773

CREW WEIGHT LIMIT: 2061 LBS.

**YACHT NAME:** OVATION  
**DESIGN:** J-105 ODR  
**OWNER:** Tom & Cindy Einhouse  
**CERTIFICATE:** ODR  
**CLASSIFICATION:** DSPL  
**SAIL NO:** 393  
**POWER:** IB  
**CLUB:** EWYC

**LOA:** 34.50 FT.  
**LWL:** 29.50 FT.  
**BEAM:** 11.00 FT.  
**DRAFT:** 6.50 FT.  
**DISPLACEMENT:** 8575 LBS.  
**BALLAST:** 3400 LBS.  
**SAIL AREA:** 577 SQ. FT.  
**BASE SPIN:** 851 SQ. FT  
**EST. FORESTAY:** 40.65 FT.

**I:** 40.60 FT.  
**ISP:** 42.10 FT.  
**J:** 13.50 FT.  
**JSP/TPS:** 19.00 FT.  
**P:** 41.50 FT.  
**E:** 14.60 FT.  
**SADR:** 22.11  
**DLR:** 149.11



## HANDICAP ADJUSTMENTS

ODR 102% JIB/89 SQM ASYM

*Adjustments must be requested by the owner and are only made based on visual inspection and/or physical measurement by an authorized PHRF-SS measurer. Fixed Prop credit is for 3-bladed or more fixed prop in aperture or on exposed strut. Asymmetric credit is for an aftermarket sprit pole per Section 20 – Asymmetric Spinnakers. If Asymmetric Credit is given, a symmetrical spinnaker may not be flown at any event designated PHRF-SS. Codes appear in Section 8 - Handicap Adjustments of the PHRF-SS Rules & Bylaws.*

Owner Signature: \_\_\_\_\_

*My signature attests to the fact that all the information contained on this certificate is true and correct to the best of my knowledge and that I have not made any modifications to the boat which have not been reported to PHRF-SS.*

**Certificate Issue: 2/28/2024**

**Certificate Expires: 3/31/2025**



# SOUTH SHORE PHRF HANDICAP CERTIFICATE

PHRF-SS, LLC., PO Box 347021, Cleveland, OH 44134

<http://phrfss.org>

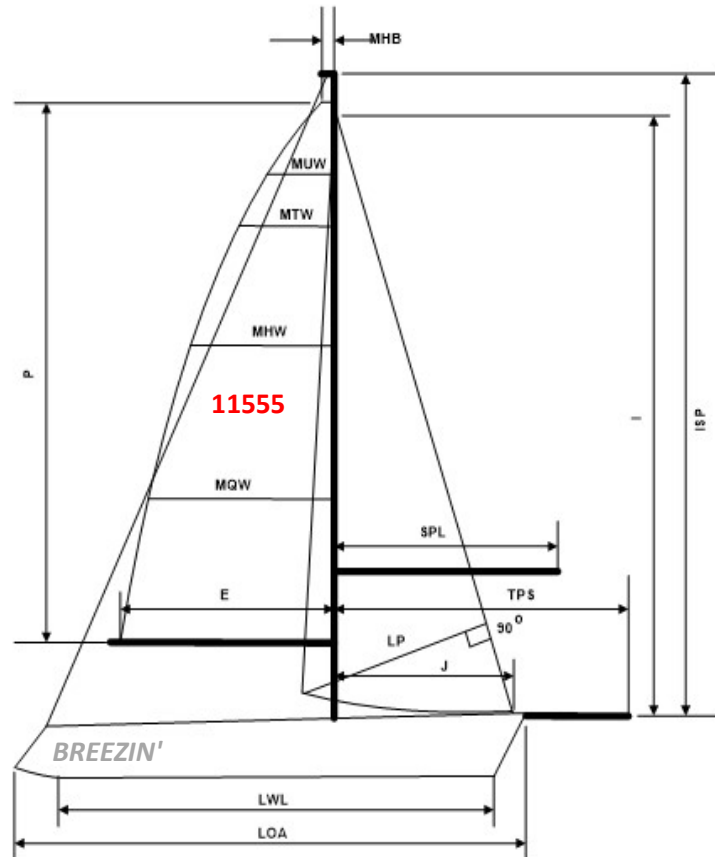
**HCP (Handicap):** 66 sec/nm  
**JAM (Jib & Main):** 75 sec/nm  
**PPF (Perf Prediction Factor):** 6.06  
**TCF (Time Correction Factor):** 1.1312

CREW WEIGHT LIMIT: 2289 LBS.

**YACHT NAME:** BREEZIN'  
**DESIGN:** C&C 115 SPRIT  
**OWNER:** Rich Galaska  
**CERTIFICATE:** STND  
**CLASSIFICATION:** DSPL  
**SAIL NO:** 11555  
**POWER:** IB  
**CLUB:** FCYC

**LOA:** 37.75 FT.  
**LWL:** 33.00 FT.  
**BEAM:** 11.92 FT.  
**DRAFT:** 6.67 FT.  
**DISPLACEMENT:** 11800 LBS.  
**BALLAST:** 4200 LBS.  
**SAIL AREA:** 781 SQ. FT.  
**BASE SPIN:** 1119 SQ. FT  
**EST. FORESTAY:** 54.14 FT.

**I:** 52.16 FT.  
**ISP:** 52.16 FT.  
**J:** 14.50 FT.  
**JSP/TPS:** 19.00 FT.  
**P:** 49.33 FT.  
**E:** 16.33 FT.  
**SADR:** 24.19  
**DLR:** 146.59



## HANDICAP ADJUSTMENTS

*Adjustments must be requested by the owner and are only made based on visual inspection and/or physical measurement by an authorized PHRF-SS measurer. Fixed Prop credit is for 3-bladed or more fixed prop in aperture or on exposed strut. Asymmetric credit is for an aftermarket sprit pole per Section 20 – Asymmetric Spinnakers. If Asymmetric Credit is given, a symmetrical spinnaker may not be flown at any event designated PHRF-SS. Codes appear in Section 8 - Handicap Adjustments of the PHRF-SS Rules & Bylaws.*

Owner Signature: \_\_\_\_\_

*My signature attests to the fact that all the information contained on this certificate is true and correct to the best of my knowledge and that I have not made any modifications to the boat which have not been reported to PHRF-SS.*

**Certificate Issue: 4/4/2024**

**Certificate Expires: 3/31/2025**



# SOUTH SHORE PHRF HANDICAP CERTIFICATE

PHRF-SS, LLC., PO Box 347021, Cleveland, OH 44134

<http://phrfss.org>

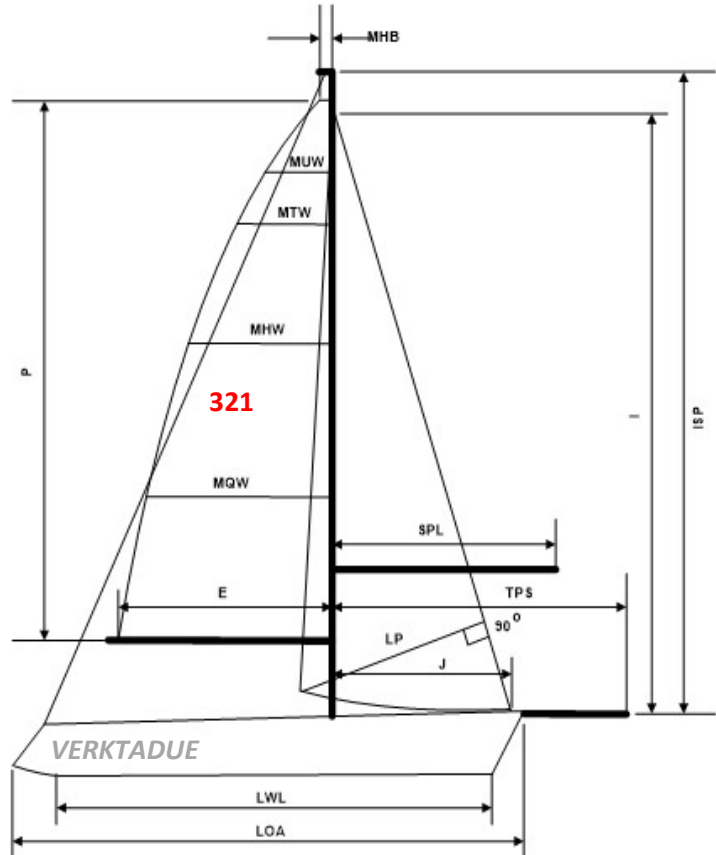
**HCP (Handicap):** 171 sec/nm  
**JAM (Jib & Main):** 180 sec/nm  
**PPF (Perf Prediction Factor):** 14.12  
**TCF (Time Correction Factor):** 0.9282

CREW WEIGHT LIMIT: 1840 LBS.

**YACHT NAME:** VERKTADUE  
**DESIGN:** IRWIN 32 CITATION  
 SHOAL  
**OWNER:** Jeff Geisinger  
**CERTIFICATE:** STND  
**CLASSIFICATION:** DSPL  
**SAIL NO:** 321  
**POWER:** IB  
**CLUB:** EWYC

**LOA:** 32.33 FT.  
**LWL:** 26.75 FT.  
**BEAM:** 11.08 FT.  
**DRAFT:** 4.00 FT.  
**DISPLACEMENT:** 10500 LBS.  
**BALLAST:** 4600 LBS.  
**SAIL AREA:** 518 SQ. FT.  
**BASE SPIN:** 846 SQ. FT.  
**EST. FORESTAY:** 42.73 FT.

**I:** 43.00 FT.  
**ISP:** 43.00 FT.  
**J:** 13.20 FT.  
**JSP/TPS:** 13.20 FT.  
**P:** 37.50 FT.  
**E:** 12.50 FT.  
**SADR:** 17.35  
**DLR:** 244.89



## HANDICAP ADJUSTMENTS

+3 RFG

*Adjustments must be requested by the owner and are only made based on visual inspection and/or physical measurement by an authorized PHRF-SS measurer. Fixed Prop credit is for 3-bladed or more fixed prop in aperture or on exposed strut. Asymmetric credit is for an aftermarket sprit pole per Section 20 – Asymmetric Spinnakers. If Asymmetric Credit is given, a symmetrical spinnaker may not be flown at any event designated PHRF-SS. Codes appear in Section 8 - Handicap Adjustments of the PHRF-SS Rules & Bylaws.*

Owner Signature: \_\_\_\_\_

*My signature attests to the fact that all the information contained on this certificate is true and correct to the best of my knowledge and that I have not made any modifications to the boat which have not been reported to PHRF-SS.*

**Certificate Issue: 2/28/2024**

**Certificate Expires: 3/31/2025**





# SOUTH SHORE PHRF HANDICAP CERTIFICATE

PHRF-SS, LLC., PO Box 347021, Cleveland, OH 44134

<http://phrfss.org>

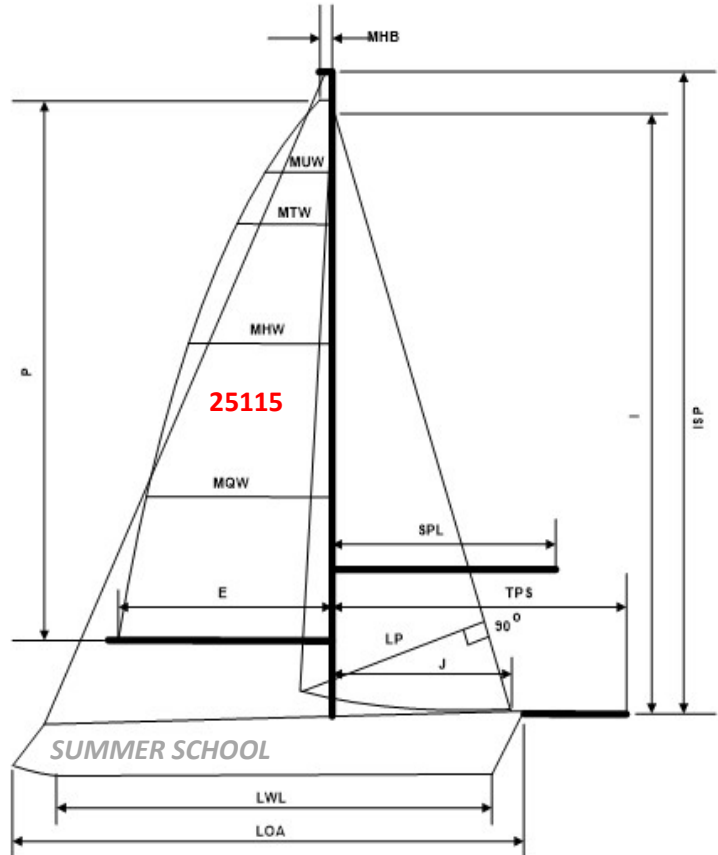
**HCP (Handicap):** 135 sec/nm  
**JAM (Jib & Main):** 143 sec/nm  
**PPF (Perf Prediction Factor):** 11.28  
**TCF (Time Correction Factor):** 0.9891

CREW WEIGHT LIMIT: 1802 LBS.

**YACHT NAME:** SUMMER SCHOOL  
**DESIGN:** S2 9.1  
**OWNER:** Brian Hare  
**CERTIFICATE:** **STND**  
**CLASSIFICATION:** DSPL  
**SAIL NO:** 25115  
**POWER:** IB  
**CLUB:** EWYC

**LOA:** 29.83 FT.  
**LWL:** 25.00 FT.  
**BEAM:** 10.50 FT.  
**DRAFT:** 5.50 FT.  
**DISPLACEMENT:** 7850 LBS.  
**BALLAST:** 3200 LBS.  
**SAIL AREA:** 489 SQ. FT.  
**BASE SPIN:** 735 SQ. FT  
**EST. FORESTAY:** 43.01 FT.

**I:** 41.30 FT.  
**ISP:** 41.30 FT.  
**J:** 12.00 FT.  
**JSP/TPS:** 12.00 FT.  
**P:** 35.30 FT.  
**E:** 13.67 FT.  
**SADR:** 19.88  
**DLR:** 224.29



## HANDICAP ADJUSTMENTS

+3 RFG

*Adjustments must be requested by the owner and are only made based on visual inspection and/or physical measurement by an authorized PHRF-SS measurer. Fixed Prop credit is for 3-bladed or more fixed prop in aperture or on exposed strut. Asymmetric credit is for an aftermarket sprit pole per Section 20 – Asymmetric Spinnakers. If Asymmetric Credit is given, a symmetrical spinnaker may not be flown at any event designated PHRF-SS. Codes appear in Section 8 - Handicap Adjustments of the PHRF-SS Rules & Bylaws.*

Owner Signature: \_\_\_\_\_

*My signature attests to the fact that all the information contained on this certificate is true and correct to the best of my knowledge and that I have not made any modifications to the boat which have not been reported to PHRF-SS.*

**Certificate Issue: 4/25/2024**

**Certificate Expires: 3/31/2025**



# SOUTH SHORE PHRF HANDICAP CERTIFICATE

PHRF-SS, LLC., PO Box 347021, Cleveland, OH 44134

<http://phrfss.org>

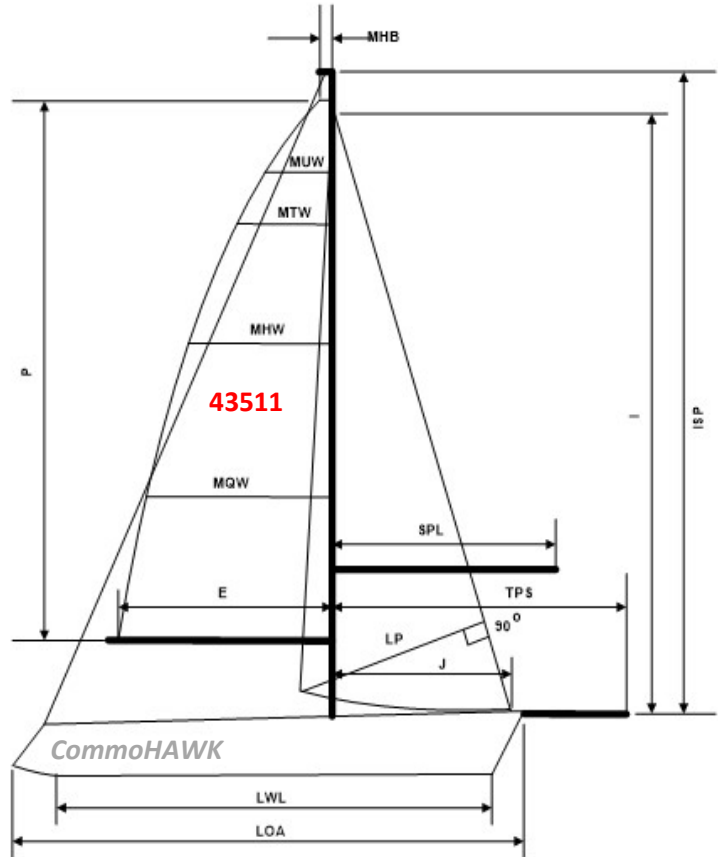
**HCP (Handicap):** 48 sec/nm  
**JAM (Jib & Main):** 56 sec/nm  
**PPF (Perf Prediction Factor):** 7.19  
**TCF (Time Correction Factor):** 1.1752

CREW WEIGHT LIMIT: 2380 LBS.

**YACHT NAME:** CommoHAWK  
**DESIGN:** J-39  
**OWNER:** Conor Hawkins  
**CERTIFICATE:** **STND**  
**CLASSIFICATION:** DSPL  
**SAIL NO:** 43511  
**POWER:** IB  
**CLUB:** EWYC

**LOA:** 39.42 FT.  
**LWL:** 32.50 FT.  
**BEAM:** 12.42 FT.  
**DRAFT:** 7.25 FT.  
**DISPLACEMENT:** 12900 LBS.  
**BALLAST:** 5900 LBS.  
**SAIL AREA:** 799 SQ. FT.  
**BASE SPIN:** 1230 SQ. FT.  
**EST. FORESTAY:** 55.70 FT.

**I:** 53.50 FT.  
**ISP:** 53.50 FT.  
**J:** 15.50 FT.  
**JSP/TPS:** 15.50 FT.  
**P:** 47.20 FT.  
**E:** 16.30 FT.  
**SADR:** 23.33  
**DLR:** 167.76



## HANDICAP ADJUSTMENTS

*Adjustments must be requested by the owner and are only made based on visual inspection and/or physical measurement by an authorized PHRF-SS measurer. Fixed Prop credit is for 3-bladed or more fixed prop in aperture or on exposed strut. Asymmetric credit is for an aftermarket sprit pole per Section 20 – Asymmetric Spinnakers. If Asymmetric Credit is given, a symmetrical spinnaker may not be flown at any event designated PHRF-SS. Codes appear in Section 8 - Handicap Adjustments of the PHRF-SS Rules & Bylaws.*

Owner Signature: \_\_\_\_\_

*My signature attests to the fact that all the information contained on this certificate is true and correct to the best of my knowledge and that I have not made any modifications to the boat which have not been reported to PHRF-SS.*

**Certificate Issue: 4/14/2024**

**Certificate Expires: 3/31/2025**



# SOUTH SHORE PHRF HANDICAP CERTIFICATE

PHRF-SS, LLC., PO Box 347021, Cleveland, OH 44134

<http://phrfss.org>

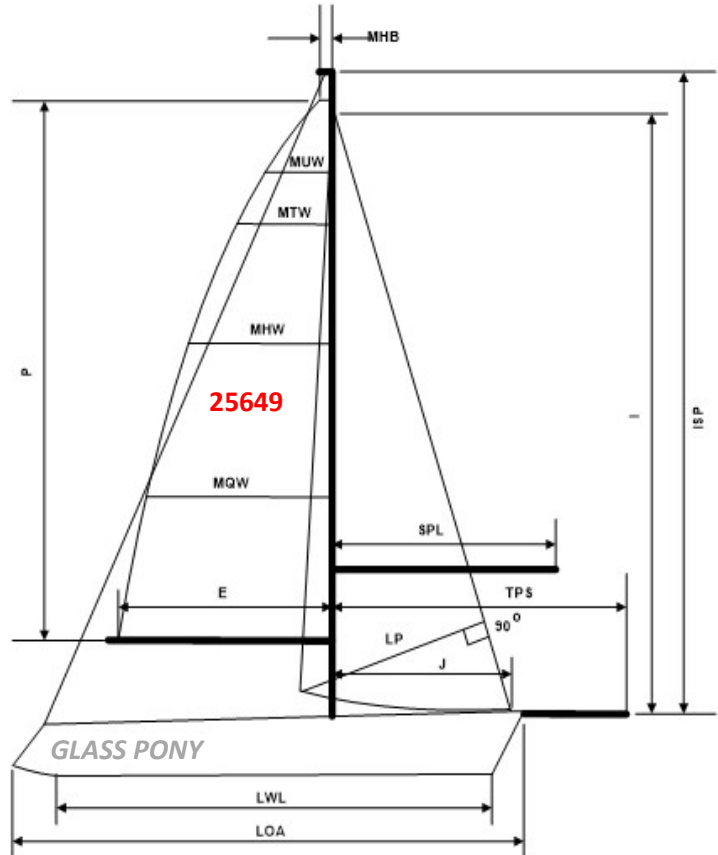
**HCP (Handicap):** 75 sec/nm  
**JAM (Jib & Main):** 82 sec/nm  
**PPF (Perf Prediction Factor):** 9.26  
**TCF (Time Correction Factor):** 1.1104

CREW WEIGHT LIMIT: 2158 LBS.

**YACHT NAME:** GLASS PONY  
**DESIGN:** FIRST (BENET) 35-2  
**OWNER:** Jason Huffman  
**CERTIFICATE:** **STND**  
**CLASSIFICATION:** DSPL  
**SAIL NO:** 25649  
**POWER:** IB  
**CLUB:** SSC

**LOA:** 35.60 FT.  
**LWL:** 30.58 FT.  
**BEAM:** 11.94 FT.  
**DRAFT:** 7.55 FT.  
**DISPLACEMENT:** 12125 LBS.  
**BALLAST:** 3682 LBS.  
**SAIL AREA:** 672 SQ. FT.  
**BASE SPIN:** 917 SQ. FT  
**EST. FORESTAY:** 46.58 FT.

**I:** 47.24 FT.  
**ISP:** 47.24 FT.  
**J:** 13.12 FT.  
**JSP/TPS:** 14.73 FT.  
**P:** 45.93 FT.  
**E:** 15.75 FT.  
**SADR:** 20.43  
**DLR:** 189.29



## HANDICAP ADJUSTMENTS

*Adjustments must be requested by the owner and are only made based on visual inspection and/or physical measurement by an authorized PHRF-SS measurer. Fixed Prop credit is for 3-bladed or more fixed prop in aperture or on exposed strut. Asymmetric credit is for an aftermarket sprit pole per Section 20 – Asymmetric Spinnakers. If Asymmetric Credit is given, a symmetrical spinnaker may not be flown at any event designated PHRF-SS. Codes appear in Section 8 - Handicap Adjustments of the PHRF-SS Rules & Bylaws.*

Owner Signature: \_\_\_\_\_

*My signature attests to the fact that all the information contained on this certificate is true and correct to the best of my knowledge and that I have not made any modifications to the boat which have not been reported to PHRF-SS.*

**Certificate Issue: 3/3/2024**

**Certificate Expires: 3/31/2025**



# SOUTH SHORE PHRF HANDICAP CERTIFICATE

PHRF-SS, LLC., PO Box 347021, Cleveland, OH 44134

<http://phrfss.org>

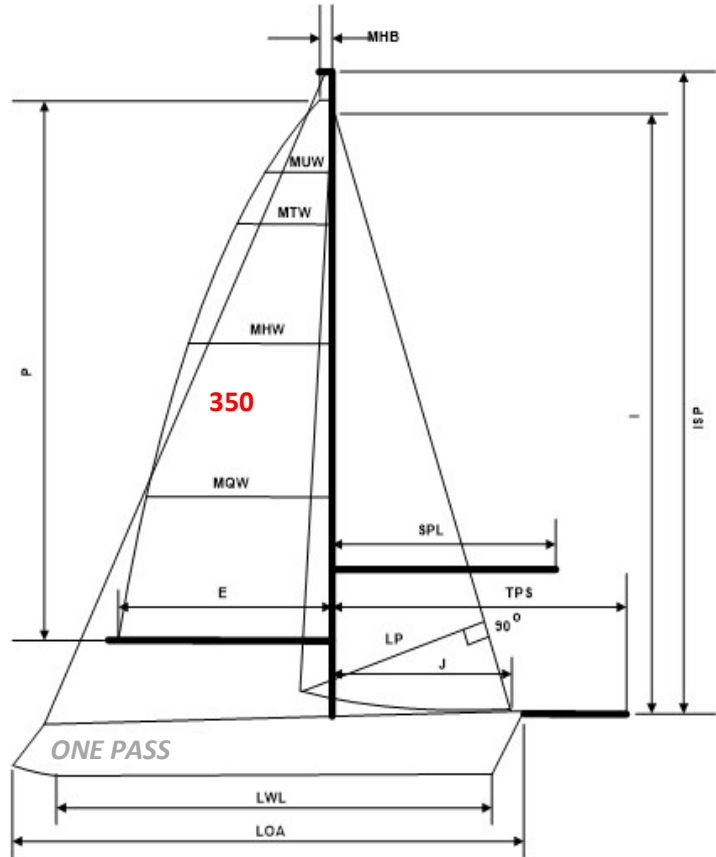
**HCP (Handicap):** 126 sec/nm  
**JAM (Jib & Main):** 130 sec/nm  
**PPF (Perf Prediction Factor):** 7.59  
**TCF (Time Correction Factor):** 1.0056

CREW WEIGHT LIMIT: 1927 LBS.

**YACHT NAME:** ONE PASS  
**DESIGN:** TARTAN 10 ODR  
**OWNER:** Todd Imbler  
**CERTIFICATE:** STND  
**CLASSIFICATION:** DSPL  
**SAIL NO:** 350  
**POWER:** IB  
**CLUB:** EWYC

**LOA:** 33.15 FT.  
**LWL:** 27.00 FT.  
**BEAM:** 9.25 FT.  
**DRAFT:** 5.83 FT.  
**DISPLACEMENT:** 7100 LBS.  
**BALLAST:** 3340 LBS.  
**SAIL AREA:** 488 SQ. FT.  
**BASE SPIN:** 633 SQ. FT  
**EST. FORESTAY:** 35.15 FT.

**I:** 35.00 FT.  
**ISP:** 35.00 FT.  
**J:** 12.00 FT.  
**JSP/TPS:** 12.00 FT.  
**P:** 40.30 FT.  
**E:** 13.80 FT.  
**SADR:** 21.21  
**DLR:** 161.03



## HANDICAP ADJUSTMENTS

*Adjustments must be requested by the owner and are only made based on visual inspection and/or physical measurement by an authorized PHRF-SS measurer. Fixed Prop credit is for 3-bladed or more fixed prop in aperture or on exposed strut. Asymmetric credit is for an aftermarket sprit pole per Section 20 – Asymmetric Spinnakers. If Asymmetric Credit is given, a symmetrical spinnaker may not be flown at any event designated PHRF-SS. Codes appear in Section 8 - Handicap Adjustments of the PHRF-SS Rules & Bylaws.*

Owner Signature: \_\_\_\_\_

*My signature attests to the fact that all the information contained on this certificate is true and correct to the best of my knowledge and that I have not made any modifications to the boat which have not been reported to PHRF-SS.*

**Certificate Issue: 2/28/2024**

**Certificate Expires: 3/31/2025**



# SOUTH SHORE PHRF HANDICAP CERTIFICATE

PHRF-SS, LLC., PO Box 347021, Cleveland, OH 44134

<http://phrfss.org>

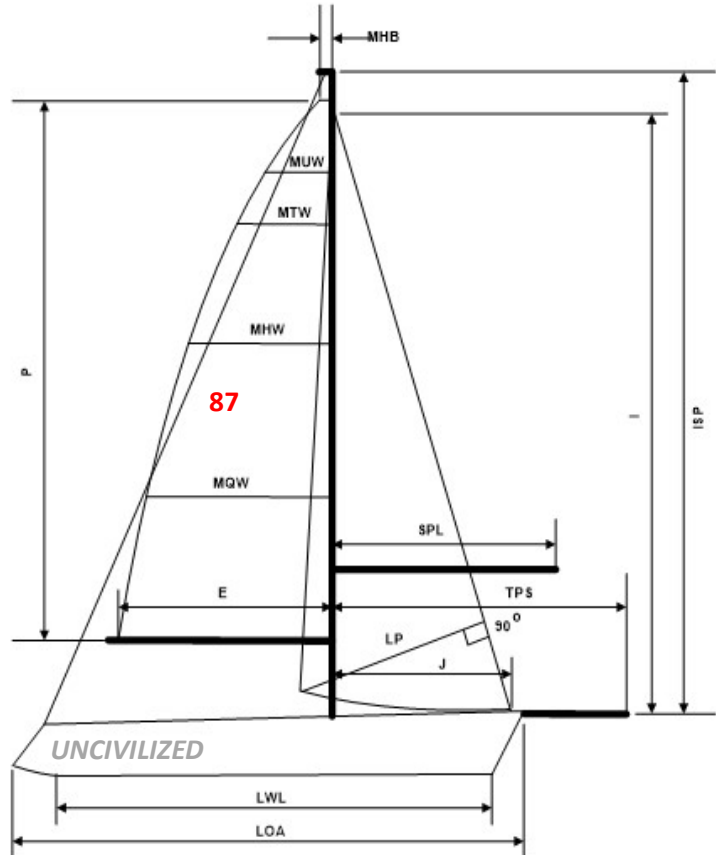
**HCP (Handicap):** 54 sec/nm  
**JAM (Jib & Main):** 61 sec/nm  
**PPF (Perf Prediction Factor):** 8.16  
**TCF (Time Correction Factor):** 1.1601

CREW WEIGHT LIMIT: 2658 LBS.

**YACHT NAME:** UNCIVILIZED  
**DESIGN:** DUFOUR 45e  
**OWNER:** Russell Krock  
**CERTIFICATE:** PRLM  
**CLASSIFICATION:** DSPL  
**SAIL NO:** 87  
**POWER:** IB  
**CLUB:** SSC

**LOA:** 44.62 FT.  
**LWL:** 39.92 FT.  
**BEAM:** 14.14 FT.  
**DRAFT:** 6.38 FT.  
**DISPLACEMENT:** 23671 LBS.  
**BALLAST:** 7341 LBS.  
**SAIL AREA:** 1044 SQ. FT.  
**BASE SPIN:** 1452 SQ. FT  
**EST. FORESTAY:** 58.69 FT.

**I:** 59.55 FT.  
**ISP:** 59.71 FT.  
**J:** 16.45 FT.  
**JSP/TPS:** 17.43 FT.  
**P:** 55.94 FT.  
**E:** 19.82 FT.  
**SADR:** 20.34  
**DLR:** 166.11



## HANDICAP ADJUSTMENTS

*Adjustments must be requested by the owner and are only made based on visual inspection and/or physical measurement by an authorized PHRF-SS measurer. Fixed Prop credit is for 3-bladed or more fixed prop in aperture or on exposed strut. Asymmetric credit is for an aftermarket sprit pole per Section 20 – Asymmetric Spinnakers. If Asymmetric Credit is given, a symmetrical spinnaker may not be flown at any event designated PHRF-SS. Codes appear in Section 8 - Handicap Adjustments of the PHRF-SS Rules & Bylaws.*

Owner Signature: \_\_\_\_\_

*My signature attests to the fact that all the information contained on this certificate is true and correct to the best of my knowledge and that I have not made any modifications to the boat which have not been reported to PHRF-SS.*

**Certificate Issue: 2/27/2024**

**Certificate Expires: 3/31/2025**



# SOUTH SHORE PHRF HANDICAP CERTIFICATE

PHRF-SS, LLC., PO Box 347021, Cleveland, OH 44134

<http://phrfss.org>

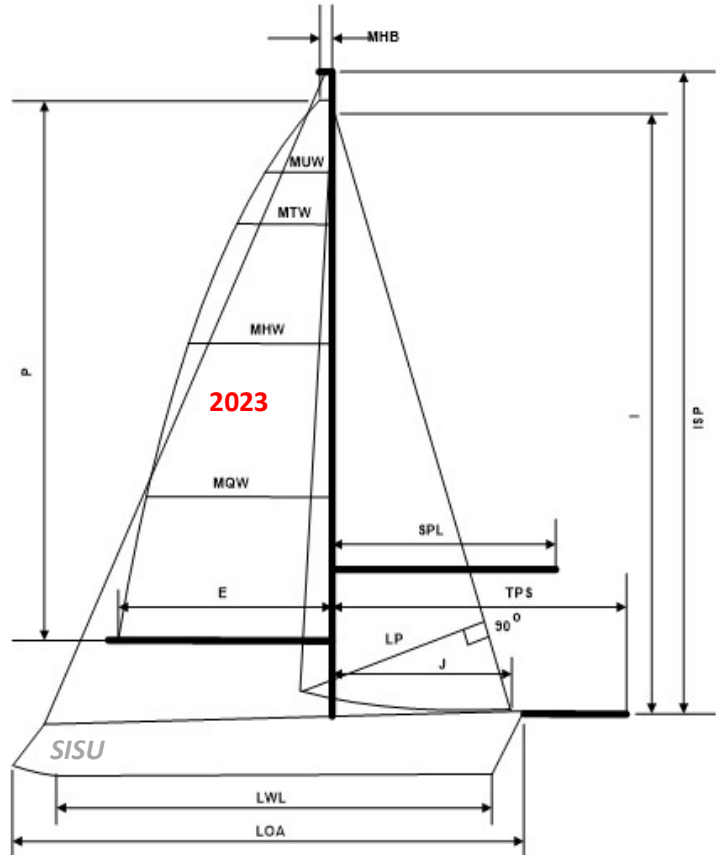
**HCP (Handicap):** 228 sec/nm  
**JAM (Jib & Main):** 234 sec/nm  
**PPF (Perf Prediction Factor):** 8.33  
**TCF (Time Correction Factor):** 0.8459

CREW WEIGHT LIMIT: 1325 LBS.

**YACHT NAME:** SISU  
**DESIGN:** SANTANA 2023A TM  
**OWNER:** Jeff Lehtinen  
**CERTIFICATE:** **STND**  
**CLASSIFICATION:** DSPL  
**SAIL NO:** 2023  
**POWER:** OB  
**CLUB:** GRSC

**LOA:** 23.25 FT.  
**LWL:** 20.62 FT.  
**BEAM:** 8.50 FT.  
**DRAFT:** 5.33 FT.  
**DISPLACEMENT:** 2880 LBS.  
**BALLAST:** 1300 LBS.  
**SAIL AREA:** 222 SQ. FT.  
**BASE SPIN:** 308 SQ. FT  
**EST. FORESTAY:** 23.47 FT.

**I:** 23.10 FT.  
**ISP:** 23.10 FT.  
**J:** 8.75 FT.  
**JSP/TPS:** 8.75 FT.  
**P:** 24.20 FT.  
**E:** 10.00 FT.  
**SADR:** 17.60  
**DLR:** 146.65



## HANDICAP ADJUSTMENTS

Water ballast must be kept on-board

*Adjustments must be requested by the owner and are only made based on visual inspection and/or physical measurement by an authorized PHRF-SS measurer. Fixed Prop credit is for 3-bladed or more fixed prop in aperture or on exposed strut. Asymmetric credit is for an aftermarket sprit pole per Section 20 – Asymmetric Spinnakers. If Asymmetric Credit is given, a symmetrical spinnaker may not be flown at any event designated PHRF-SS. Codes appear in Section 8 - Handicap Adjustments of the PHRF-SS Rules & Bylaws.*

Owner Signature: \_\_\_\_\_

*My signature attests to the fact that all the information contained on this certificate is true and correct to the best of my knowledge and that I have not made any modifications to the boat which have not been reported to PHRF-SS.*

**Certificate Issue: 3/24/2024**

**Certificate Expires: 3/31/2025**



# SOUTH SHORE PHRF HANDICAP CERTIFICATE

PHRF-SS, LLC., PO Box 347021, Cleveland, OH 44134

<http://phrfss.org>

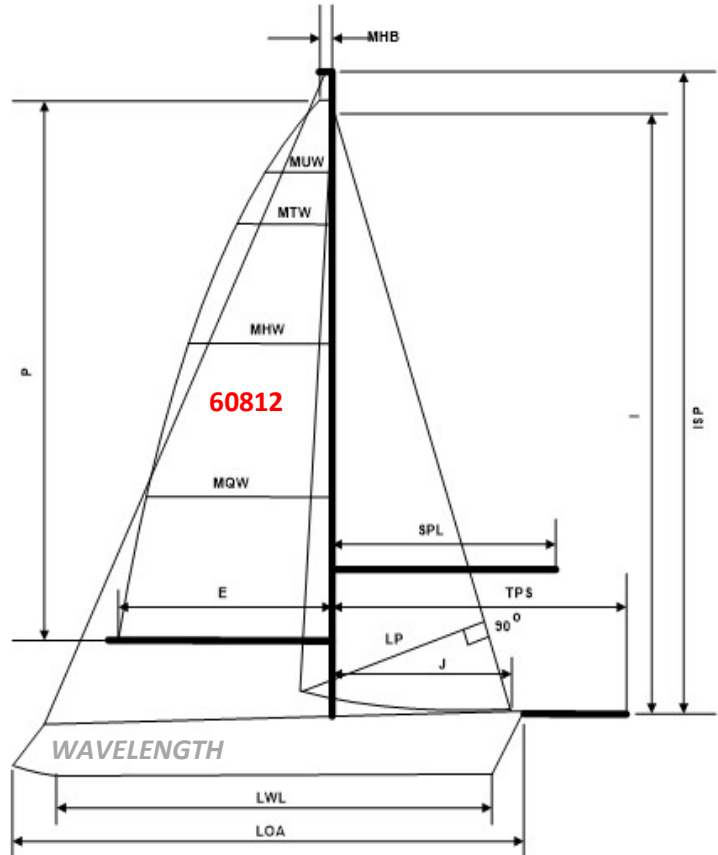
**HCP (Handicap):** 69 sec/nm  
**JAM (Jib & Main):** 79 sec/nm  
**PPF (Perf Prediction Factor):** 6.27  
**TCF (Time Correction Factor):** 1.1241

CREW WEIGHT LIMIT: 2172 LBS.

**YACHT NAME:** WAVELENGTH  
**DESIGN:** THOMAS 35  
**OWNER:** Al Linne  
**CERTIFICATE:** STND  
**CLASSIFICATION:** DSPL  
**SAIL NO:** 60812  
**POWER:** IB  
**CLUB:** EWYC

**LOA:** 35.42 FT.  
**LWL:** 30.50 FT.  
**BEAM:** 11.50 FT.  
**DRAFT:** 6.83 FT.  
**DISPLACEMENT:** 9800 LBS.  
**BALLAST:** 4450 LBS.  
**SAIL AREA:** 702 SQ. FT.  
**BASE SPIN:** 1017 SQ. FT.  
**EST. FORESTAY:** 47.57 FT.

**I:** 48.00 FT.  
**ISP:** 48.00 FT.  
**J:** 14.25 FT.  
**JSP/TPS:** 18.73 FT.  
**P:** 48.00 FT.  
**E:** 15.00 FT.  
**SADR:** 24.61  
**DLR:** 154.20



## HANDICAP ADJUSTMENTS

-3CM / 133% ASYM /FRAC

*Adjustments must be requested by the owner and are only made based on visual inspection and/or physical measurement by an authorized PHRF-SS measurer. Fixed Prop credit is for 3-bladed or more fixed prop in aperture or on exposed strut. Asymmetric credit is for an aftermarket sprit pole per Section 20 – Asymmetric Spinnakers. If Asymmetric Credit is given, a symmetrical spinnaker may not be flown at any event designated PHRF-SS. Codes appear in Section 8 - Handicap Adjustments of the PHRF-SS Rules & Bylaws.*

Owner Signature: \_\_\_\_\_

*My signature attests to the fact that all the information contained on this certificate is true and correct to the best of my knowledge and that I have not made any modifications to the boat which have not been reported to PHRF-SS.*

**Certificate Issue: 2/27/2024**

**Certificate Expires: 3/31/2025**



# SOUTH SHORE PHRF HANDICAP CERTIFICATE

PHRF-SS, LLC., PO Box 347021, Cleveland, OH 44134

<http://phrfss.org>

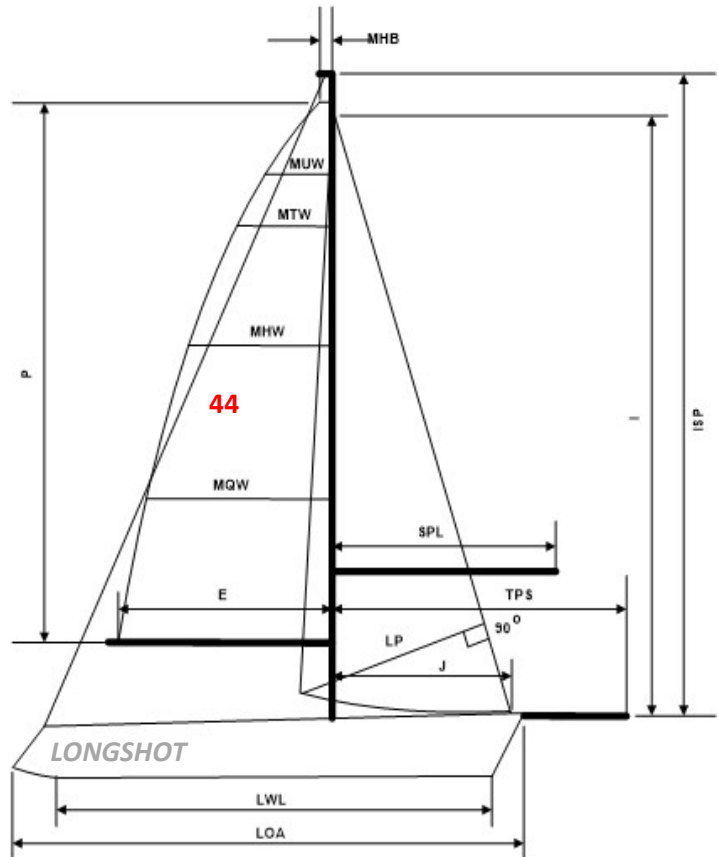
**HCP (Handicap):** 172 sec/nm  
**JAM (Jib & Main):** 180 sec/nm  
**PPF (Perf Prediction Factor):** 14.68  
**TCF (Time Correction Factor):** 0.9267

CREW WEIGHT LIMIT: 1845 LBS.

**YACHT NAME:** LONGSHOT  
**DESIGN:** CAT 320 WK  
**OWNER:** David Long  
**CERTIFICATE:** STND  
**CLASSIFICATION:** DSPL  
**SAIL NO:** 44  
**POWER:** IB  
**CLUB:** FCYC

**LOA:** 32.50 FT.  
**LWL:** 28.00 FT.  
**BEAM:** 11.75 FT.  
**DRAFT:** 4.30 FT.  
**DISPLACEMENT:** 11700 LBS.  
**BALLAST:** 4400 LBS.  
**SAIL AREA:** 520 SQ. FT.  
**BASE SPIN:** 796 SQ. FT  
**EST. FORESTAY:** 43.03 FT.

**I:** 43.58 FT.  
**ISP:** 43.58 FT.  
**J:** 12.33 FT.  
**JSP/TPS:** 12.33 FT.  
**P:** 38.00 FT.  
**E:** 13.25 FT.  
**SADR:** 16.21  
**DLR:** 237.94



## HANDICAP ADJUSTMENTS

+3(2BX); +6RFG

*Adjustments must be requested by the owner and are only made based on visual inspection and/or physical measurement by an authorized PHRF-SS measurer. Fixed Prop credit is for 3-bladed or more fixed prop in aperture or on exposed strut. Asymmetric credit is for an aftermarket sprit pole per Section 20 – Asymmetric Spinnakers. If Asymmetric Credit is given, a symmetrical spinnaker may not be flown at any event designated PHRF-SS. Codes appear in Section 8 - Handicap Adjustments of the PHRF-SS Rules & Bylaws.*

Owner Signature: \_\_\_\_\_

*My signature attests to the fact that all the information contained on this certificate is true and correct to the best of my knowledge and that I have not made any modifications to the boat which have not been reported to PHRF-SS.*

Certificate Issue: 3/13/2024

Certificate Expires: 3/31/2025





# SOUTH SHORE PHRF HANDICAP CERTIFICATE

PHRF-SS, LLC., PO Box 347021, Cleveland, OH 44134

<http://phrfss.org>

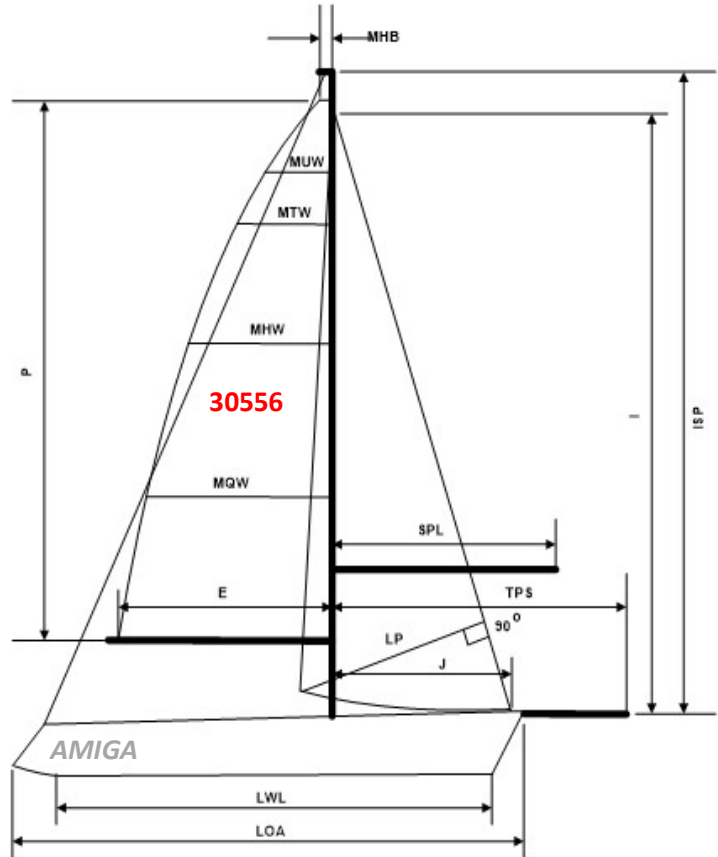
**HCP (Handicap):** 162 sec/nm  
**JAM (Jib & Main):** 168 sec/nm  
**PPF (Perf Prediction Factor):** 10.15  
**TCF (Time Correction Factor):** 0.9427

CREW WEIGHT LIMIT: 1905 LBS.

**YACHT NAME:** AMIGA  
**DESIGN:** TARTAN 33  
**OWNER:** David Mills  
**CERTIFICATE:** STND  
**CLASSIFICATION:** DSPL  
**SAIL NO:** 30556  
**POWER:** IB  
**CLUB:** EWYC

**LOA:** 33.67 FT.  
**LWL:** 28.83 FT.  
**BEAM:** 10.96 FT.  
**DRAFT:** 4.56 FT.  
**DISPLACEMENT:** 10000 LBS.  
**BALLAST:** 4400 LBS.  
**SAIL AREA:** 531 SQ. FT.  
**BASE SPIN:** 729 SQ. FT  
**EST. FORESTAY:** 38.91 FT.

**I:** 39.00 FT.  
**ISP:** 39.00 FT.  
**J:** 12.50 FT.  
**JSP/TPS:** 12.50 FT.  
**P:** 41.75 FT.  
**E:** 13.75 FT.  
**SADR:** 18.36  
**DLR:** 186.30



## HANDICAP ADJUSTMENTS

*Adjustments must be requested by the owner and are only made based on visual inspection and/or physical measurement by an authorized PHRF-SS measurer. Fixed Prop credit is for 3-bladed or more fixed prop in aperture or on exposed strut. Asymmetric credit is for an aftermarket sprit pole per Section 20 – Asymmetric Spinnakers. If Asymmetric Credit is given, a symmetrical spinnaker may not be flown at any event designated PHRF-SS. Codes appear in Section 8 - Handicap Adjustments of the PHRF-SS Rules & Bylaws.*

Owner Signature: \_\_\_\_\_

*My signature attests to the fact that all the information contained on this certificate is true and correct to the best of my knowledge and that I have not made any modifications to the boat which have not been reported to PHRF-SS.*

**Certificate Issue: 3/9/2024**

**Certificate Expires: 3/31/2025**



# SOUTH SHORE PHRF HANDICAP CERTIFICATE

PHRF-SS, LLC., PO Box 347021, Cleveland, OH 44134

<http://phrfss.org>

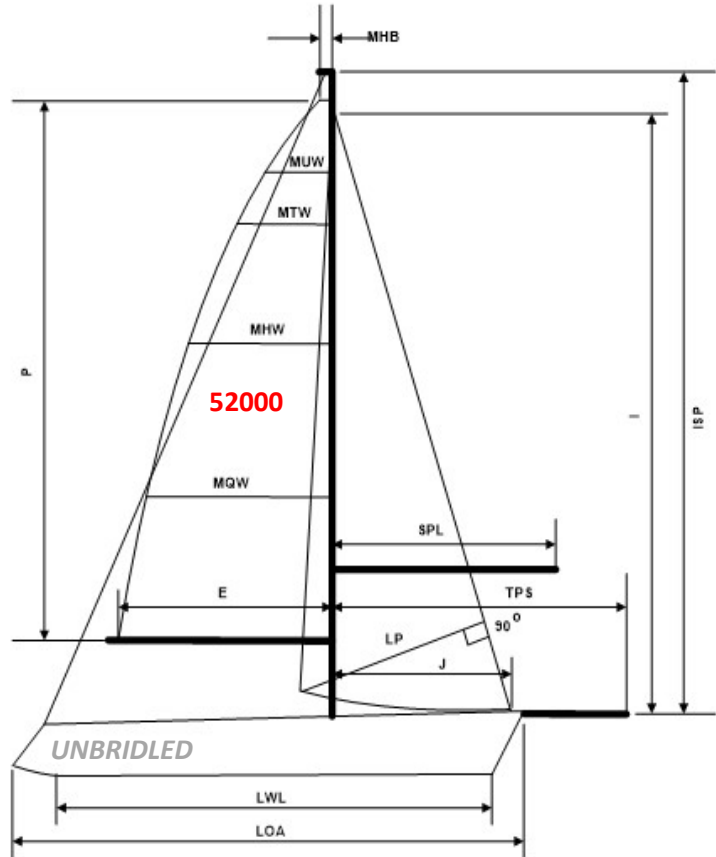
**HCP (Handicap):** 90 sec/nm  
**JAM (Jib & Main):** 100 sec/nm  
**PPF (Perf Prediction Factor):** 6.74  
**TCF (Time Correction Factor):** 1.0773

CREW WEIGHT LIMIT: 2061 LBS.

**YACHT NAME:** UNBRIDLED  
**DESIGN:** J-105 ODR  
**OWNER:** Rob Mock  
**CERTIFICATE:** ODR  
**CLASSIFICATION:** DSPL  
**SAIL NO:** 52000  
**POWER:** IB  
**CLUB:** EWYC

**LOA:** 34.50 FT.  
**LWL:** 29.50 FT.  
**BEAM:** 11.00 FT.  
**DRAFT:** 6.50 FT.  
**DISPLACEMENT:** 8575 LBS.  
**BALLAST:** 3400 LBS.  
**SAIL AREA:** 577 SQ. FT.  
**BASE SPIN:** 851 SQ. FT  
**EST. FORESTAY:** 40.65 FT.

**I:** 40.60 FT.  
**ISP:** 42.10 FT.  
**J:** 13.50 FT.  
**JSP/TPS:** 19.00 FT.  
**P:** 41.50 FT.  
**E:** 14.60 FT.  
**SADR:** 22.11  
**DLR:** 149.11



## HANDICAP ADJUSTMENTS

ODR 102% JIB/89 SQM ASYM

*Adjustments must be requested by the owner and are only made based on visual inspection and/or physical measurement by an authorized PHRF-SS measurer. Fixed Prop credit is for 3-bladed or more fixed prop in aperture or on exposed strut. Asymmetric credit is for an aftermarket sprit pole per Section 20 – Asymmetric Spinnakers. If Asymmetric Credit is given, a symmetrical spinnaker may not be flown at any event designated PHRF-SS. Codes appear in Section 8 - Handicap Adjustments of the PHRF-SS Rules & Bylaws.*

Owner Signature: \_\_\_\_\_

*My signature attests to the fact that all the information contained on this certificate is true and correct to the best of my knowledge and that I have not made any modifications to the boat which have not been reported to PHRF-SS.*

**Certificate Issue: 4/14/2024**

**Certificate Expires: 3/31/2025**



# SOUTH SHORE PHRF HANDICAP CERTIFICATE

PHRF-SS, LLC., PO Box 347021, Cleveland, OH 44134

<http://phrfss.org>

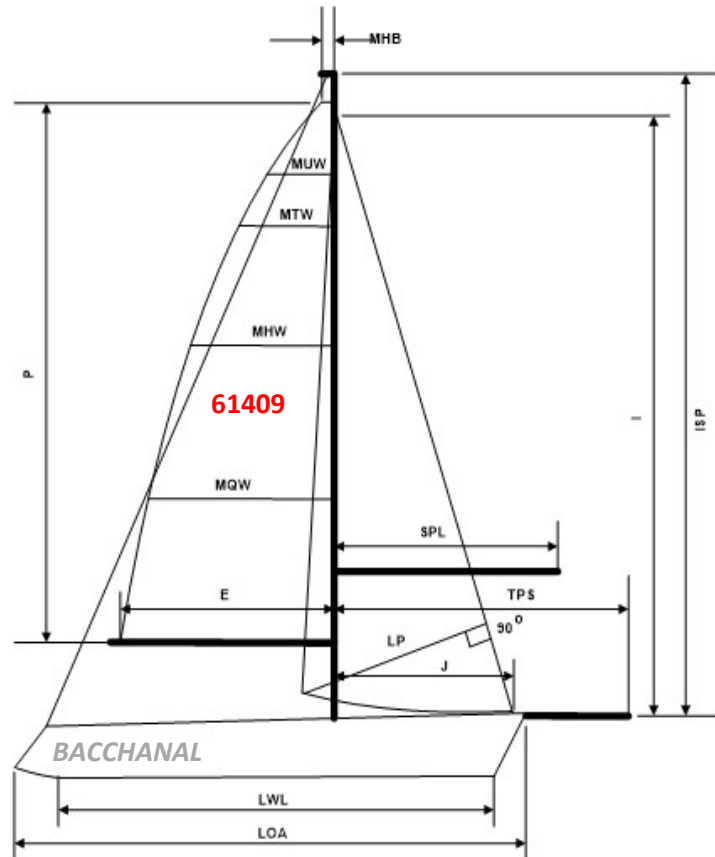
**HCP (Handicap):** 162 sec/nm  
**JAM (Jib & Main):** 170 sec/nm  
**PPF (Perf Prediction Factor):** 8.97  
**TCF (Time Correction Factor):** 0.9427

CREW WEIGHT LIMIT: 1903 LBS.

**YACHT NAME:** BACCHANAL  
**DESIGN:** OCEANIS (BENET) 331 SD  
**OWNER:** Rebecca Nelson  
**CERTIFICATE:** STND  
**CLASSIFICATION:** DSPL  
**SAIL NO:** 61409  
**POWER:** IB  
**CLUB:** EWYC

**LOA:** 33.96 FT.  
**LWL:** 30.51 FT.  
**BEAM:** 11.22 FT.  
**DRAFT:** 5.25 FT.  
**DISPLACEMENT:** 9920 LBS.  
**BALLAST:** 3086 LBS.  
**SAIL AREA:** 500 SQ. FT.  
**BASE SPIN:** 754 SQ. FT.  
**EST. FORESTAY:** 40.75 FT.

**I:** 41.08 FT.  
**ISP:** 41.08 FT.  
**J:** 12.34 FT.  
**JSP/TPS:** 12.34 FT.  
**P:** 34.58 FT.  
**E:** 14.27 FT.  
**SADR:** 17.39  
**DLR:** 155.93



## HANDICAP ADJUSTMENTS

+3RFG / +6RFM

*Adjustments must be requested by the owner and are only made based on visual inspection and/or physical measurement by an authorized PHRF-SS measurer. Fixed Prop credit is for 3-bladed or more fixed prop in aperture or on exposed strut. Asymmetric credit is for an aftermarket sprit pole per Section 20 – Asymmetric Spinnakers. If Asymmetric Credit is given, a symmetrical spinnaker may not be flown at any event designated PHRF-SS. Codes appear in Section 8 - Handicap Adjustments of the PHRF-SS Rules & Bylaws.*

Owner Signature: \_\_\_\_\_

*My signature attests to the fact that all the information contained on this certificate is true and correct to the best of my knowledge and that I have not made any modifications to the boat which have not been reported to PHRF-SS.*

**Certificate Issue: 3/31/2024**

**Certificate Expires: 3/31/2025**



# SOUTH SHORE PHRF HANDICAP CERTIFICATE

PHRF-SS, LLC., PO Box 347021, Cleveland, OH 44134

<http://phrfss.org>

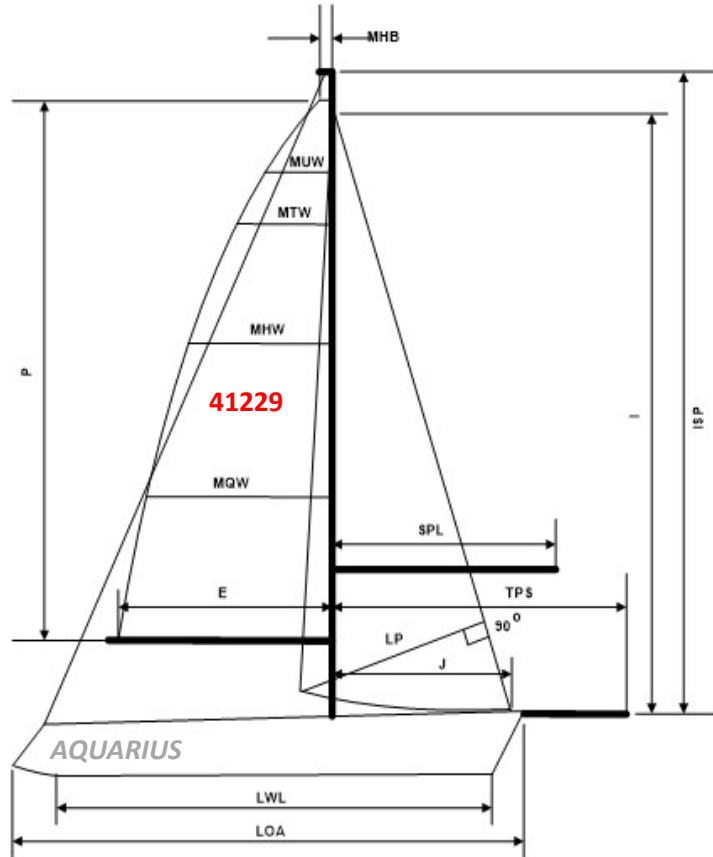
**HCP (Handicap):** 117 sec/nm  
**JAM (Jib & Main):** 128 sec/nm  
**PPF (Perf Prediction Factor):** 7.84  
**TCF (Time Correction Factor):** 1.0226

CREW WEIGHT LIMIT: 1802 LBS.

**YACHT NAME:** AQUARIUS  
**DESIGN:** J-29 MH IB  
**OWNER:** Matthew Newberry  
**CERTIFICATE:** STND  
**CLASSIFICATION:** DSPL  
**SAIL NO:** 41229  
**POWER:** IB  
**CLUB:** EWYC

**LOA:** 29.50 FT.  
**LWL:** 25.00 FT.  
**BEAM:** 11.00 FT.  
**DRAFT:** 5.60 FT.  
**DISPLACEMENT:** 6000 LBS.  
**BALLAST:** 2100 LBS.  
**SAIL AREA:** 450 SQ. FT.  
**BASE SPIN:** 714 SQ. FT  
**EST. FORESTAY:** 41.76 FT.

**I:** 40.00 FT.  
**ISP:** 40.00 FT.  
**J:** 12.00 FT.  
**JSP/TPS:** 15.00 FT.  
**P:** 35.00 FT.  
**E:** 12.00 FT.  
**SADR:** 21.87  
**DLR:** 171.43



## HANDICAP ADJUSTMENTS

124% Asym Declared

*Adjustments must be requested by the owner and are only made based on visual inspection and/or physical measurement by an authorized PHRF-SS measurer. Fixed Prop credit is for 3-bladed or more fixed prop in aperture or on exposed strut. Asymmetric credit is for an aftermarket sprit pole per Section 20 – Asymmetric Spinnakers. If Asymmetric Credit is given, a symmetrical spinnaker may not be flown at any event designated PHRF-SS. Codes appear in Section 8 - Handicap Adjustments of the PHRF-SS Rules & Bylaws.*

Owner Signature: \_\_\_\_\_

*My signature attests to the fact that all the information contained on this certificate is true and correct to the best of my knowledge and that I have not made any modifications to the boat which have not been reported to PHRF-SS.*

Certificate Issue: 4/14/2024

Certificate Expires: 3/31/2025



# SOUTH SHORE PHRF HANDICAP CERTIFICATE

PHRF-SS, LLC., PO Box 347021, Cleveland, OH 44134

<http://phrfss.org>

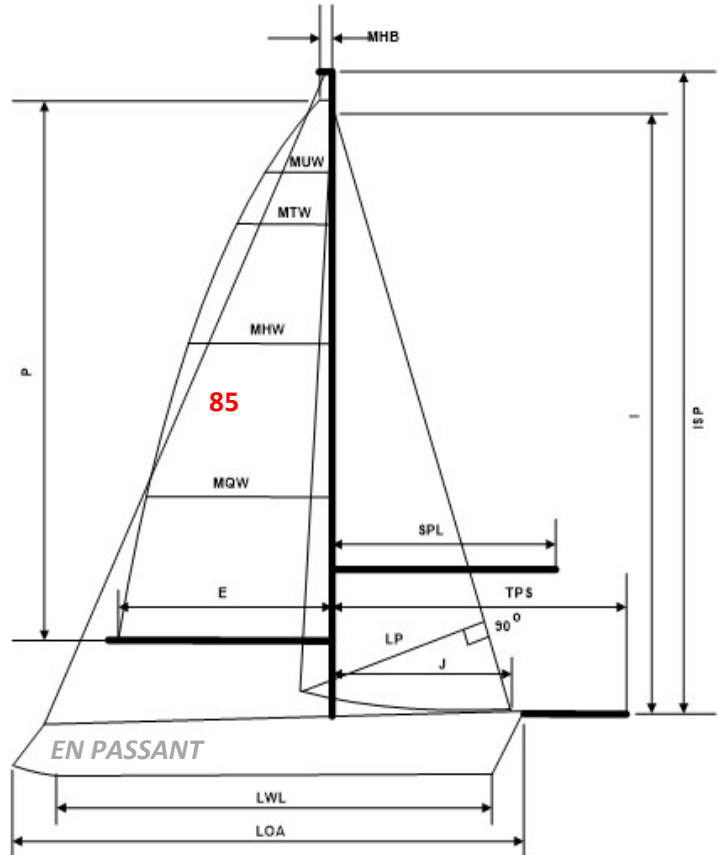
**HCP (Handicap):** 135 sec/nm  
**JAM (Jib & Main):** 141 sec/nm  
**PPF (Perf Prediction Factor):** 10.54  
**TCF (Time Correction Factor):** 0.9891

CREW WEIGHT LIMIT: 1914 LBS.

**YACHT NAME:** EN PASSANT  
**DESIGN:** DEHLER 34  
**OWNER:** Jeffrey Posner  
**CERTIFICATE:** STND  
**CLASSIFICATION:** DSPL  
**SAIL NO:** 85  
**POWER:** IB  
**CLUB:** ELYC

**LOA:** 33.13 FT.  
**LWL:** 27.23 FT.  
**BEAM:** 11.15 FT.  
**DRAFT:** 5.74 FT.  
**DISPLACEMENT:** 8818 LBS.  
**BALLAST:** 3968 LBS.  
**SAIL AREA:** 492 SQ. FT.  
**BASE SPIN:** 691 SQ. FT.  
**EST. FORESTAY:** 38.49 FT.

**I:** 38.71 FT.  
**ISP:** 38.71 FT.  
**J:** 11.97 FT.  
**JSP/TPS:** 11.97 FT.  
**P:** 38.71 FT.  
**E:** 13.45 FT.  
**SADR:** 18.50  
**DLR:** 194.98



## HANDICAP ADJUSTMENTS

*Adjustments must be requested by the owner and are only made based on visual inspection and/or physical measurement by an authorized PHRF-SS measurer. Fixed Prop credit is for 3-bladed or more fixed prop in aperture or on exposed strut. Asymmetric credit is for an aftermarket sprit pole per Section 20 – Asymmetric Spinnakers. If Asymmetric Credit is given, a symmetrical spinnaker may not be flown at any event designated PHRF-SS. Codes appear in Section 8 - Handicap Adjustments of the PHRF-SS Rules & Bylaws.*

Owner Signature: \_\_\_\_\_

*My signature attests to the fact that all the information contained on this certificate is true and correct to the best of my knowledge and that I have not made any modifications to the boat which have not been reported to PHRF-SS.*

**Certificate Issue: 2/27/2024**

**Certificate Expires: 3/31/2025**



# SOUTH SHORE PHRF HANDICAP CERTIFICATE

PHRF-SS, LLC., PO Box 347021, Cleveland, OH 44134

<http://phrfss.org>

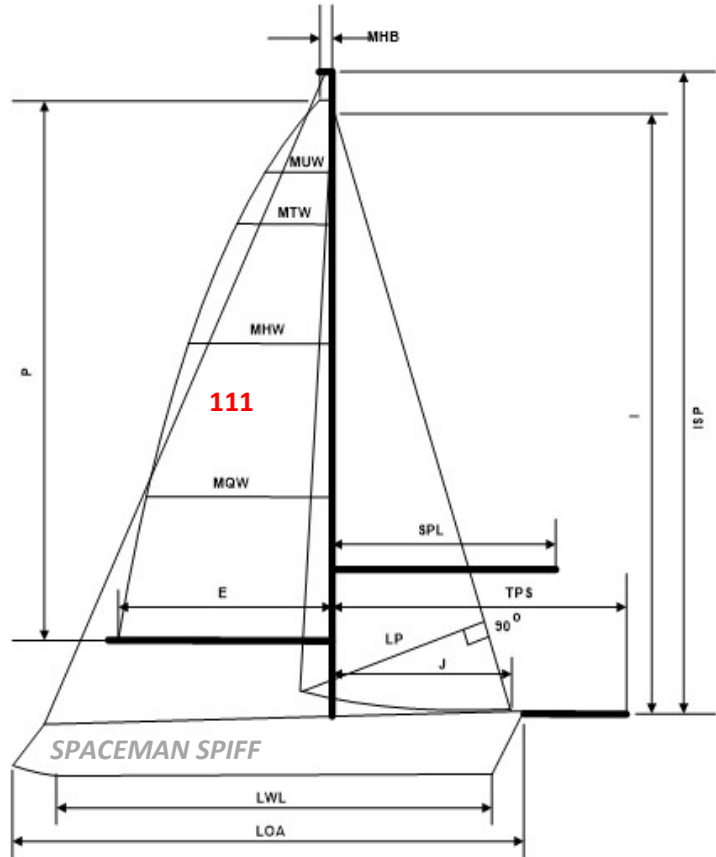
**HCP (Handicap):** 84 sec/nm  
**JAM (Jib & Main):** 96 sec/nm  
**PPF (Perf Prediction Factor):** 4.78  
**TCF (Time Correction Factor):** 1.0903

CREW WEIGHT LIMIT: 1835 LBS.

**YACHT NAME:** SPACEMAN SPIFF  
**DESIGN:** J-88  
**OWNER:** Rob Ruhlman  
**CERTIFICATE:** **STND**  
**CLASSIFICATION:** HPRF  
**SAIL NO:** 111  
**POWER:** IB  
**CLUB:** LYC

**LOA:** 29.19 FT.  
**LWL:** 26.84 FT.  
**BEAM:** 9.50 FT.  
**DRAFT:** 6.50 FT.  
**DISPLACEMENT:** 4990 LBS.  
**BALLAST:** 1830 LBS.  
**SAIL AREA:** 439 SQ. FT.  
**BASE SPIN:** 693 SQ. FT  
**EST. FORESTAY:** 38.27 FT.

**I:** 38.67 FT.  
**ISP:** 41.60 FT.  
**J:** 11.28 FT.  
**JSP/TPS:** 18.77 FT.  
**P:** 36.82 FT.  
**E:** 12.00 FT.  
**SADR:** 24.12  
**DLR:** 115.21



## HANDICAP ADJUSTMENTS

105% JIB, 95 SQM (1023 SQ. FT)

*Adjustments must be requested by the owner and are only made based on visual inspection and/or physical measurement by an authorized PHRF-SS measurer. Fixed Prop credit is for 3-bladed or more fixed prop in aperture or on exposed strut. Asymmetric credit is for an aftermarket sprit pole per Section 20 – Asymmetric Spinnakers. If Asymmetric Credit is given, a symmetrical spinnaker may not be flown at any event designated PHRF-SS. Codes appear in Section 8 - Handicap Adjustments of the PHRF-SS Rules & Bylaws.*

Owner Signature: \_\_\_\_\_

*My signature attests to the fact that all the information contained on this certificate is true and correct to the best of my knowledge and that I have not made any modifications to the boat which have not been reported to PHRF-SS.*

**Certificate Issue: 3/13/2024**

**Certificate Expires: 3/31/2025**



# SOUTH SHORE PHRF HANDICAP CERTIFICATE

PHRF-SS, LLC., PO Box 347021, Cleveland, OH 44134

<http://phrfss.org>

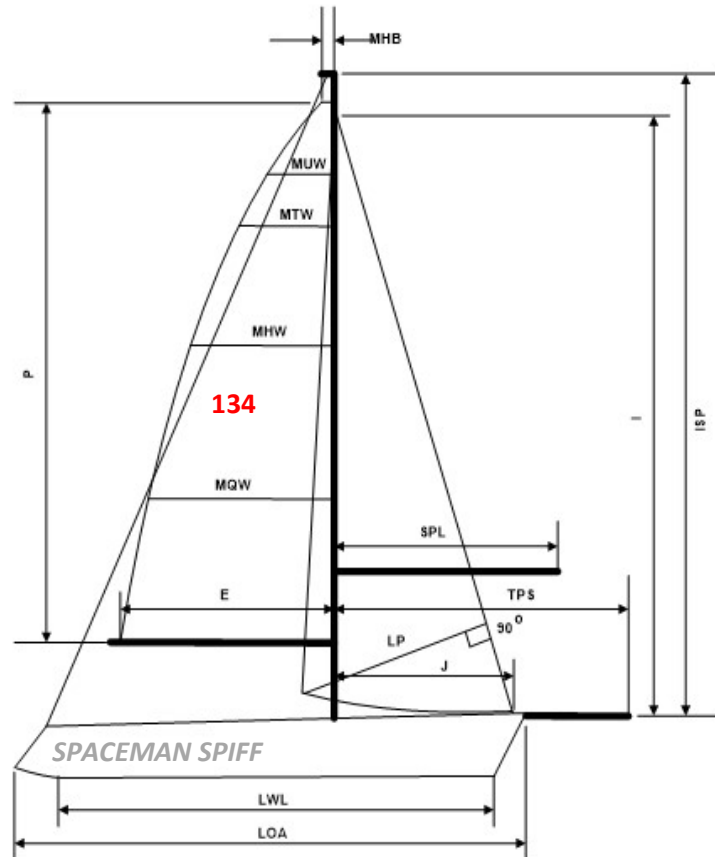
**HCP (Handicap):** 39 sec/nm  
**JAM (Jib & Main):** 51 sec/nm  
**PPF (Perf Prediction Factor):** 5.02  
**TCF (Time Correction Factor):** 1.1985

CREW WEIGHT LIMIT: 2230 LBS.

**YACHT NAME:** SPACEMAN SPIFF  
**DESIGN:** J-111  
**OWNER:** Rob Ruhlman  
**CERTIFICATE:** ODR  
**CLASSIFICATION:** DSPL  
**SAIL NO:** 134  
**POWER:** IB  
**CLUB:** LYC

**LOA:** 36.42 FT.  
**LWL:** 32.71 FT.  
**BEAM:** 10.80 FT.  
**DRAFT:** 7.18 FT.  
**DISPLACEMENT:** 9370 LBS.  
**BALLAST:** 3516 LBS.  
**SAIL AREA:** 659 SQ. FT.  
**BASE SPIN:** 1047 SQ. FT.  
**EST. FORESTAY:** 47.22 FT.

**I:** 47.74 FT.  
**ISP:** 51.23 FT.  
**J:** 13.85 FT.  
**JSP/TPS:** 21.33 FT.  
**P:** 45.24 FT.  
**E:** 14.50 FT.  
**SADR:** 23.79  
**DLR:** 119.52



## HANDICAP ADJUSTMENTS

106% JIB, 130 SQM (1399 SQ. FT)

*Adjustments must be requested by the owner and are only made based on visual inspection and/or physical measurement by an authorized PHRF-SS measurer. Fixed Prop credit is for 3-bladed or more fixed prop in aperture or on exposed strut. Asymmetric credit is for an aftermarket sprit pole per Section 20 – Asymmetric Spinnakers. If Asymmetric Credit is given, a symmetrical spinnaker may not be flown at any event designated PHRF-SS. Codes appear in Section 8 - Handicap Adjustments of the PHRF-SS Rules & Bylaws.*

Owner Signature: \_\_\_\_\_

*My signature attests to the fact that all the information contained on this certificate is true and correct to the best of my knowledge and that I have not made any modifications to the boat which have not been reported to PHRF-SS.*

**Certificate Issue: 3/13/2024**

**Certificate Expires: 3/31/2025**



# SOUTH SHORE PHRF HANDICAP CERTIFICATE

PHRF-SS, LLC., PO Box 347021, Cleveland, OH 44134

<http://phrfss.org>

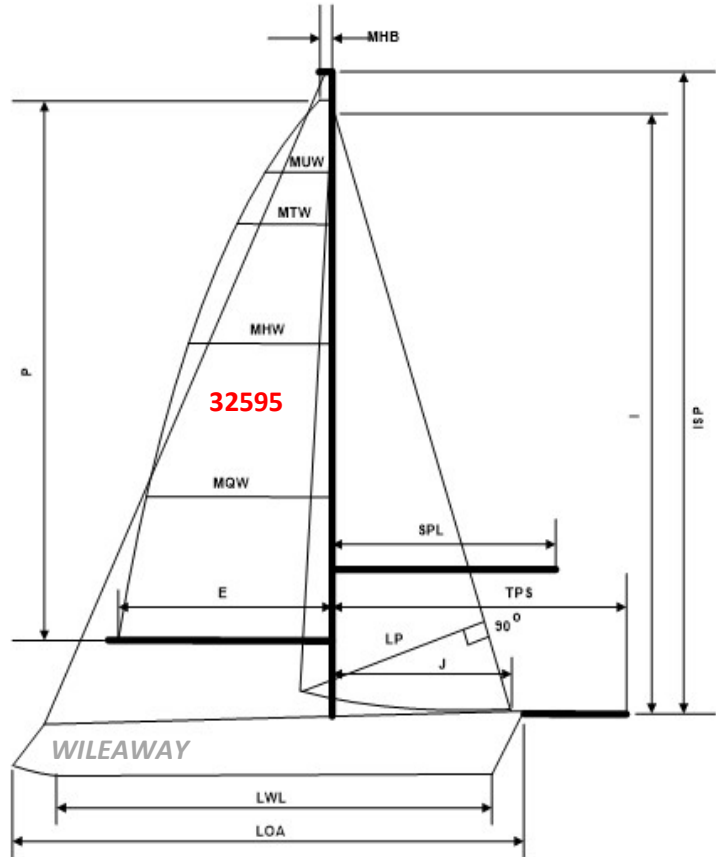
**HCP (Handicap):** 144 sec/nm  
**JAM (Jib & Main):** 154 sec/nm  
**PPF (Perf Prediction Factor):** 13.58  
**TCF (Time Correction Factor):** 0.9731

CREW WEIGHT LIMIT: 1970 LBS.

**YACHT NAME:** WILEAWAY  
**DESIGN:** HUNTER 34  
**OWNER:** Philip Rush  
**CERTIFICATE:** STND  
**CLASSIFICATION:** DSPL  
**SAIL NO:** 32595  
**POWER:** IB  
**CLUB:** FCYC

**LOA:** 34.42 FT.  
**LWL:** 28.25 FT.  
**BEAM:** 11.58 FT.  
**DRAFT:** 5.50 FT.  
**DISPLACEMENT:** 11820 LBS.  
**BALLAST:** 5000 LBS.  
**SAIL AREA:** 557 SQ. FT.  
**BASE SPIN:** 967 SQ. FT  
**EST. FORESTAY:** 48.01 FT.

**I:** 46.00 FT.  
**ISP:** 47.42 FT.  
**J:** 13.75 FT.  
**JSP/TPS:** 13.75 FT.  
**P:** 41.00 FT.  
**E:** 11.75 FT.  
**SADR:** 17.24  
**DLR:** 234.05



## HANDICAP ADJUSTMENTS

Adjustments must be requested by the owner and are only made based on visual inspection and/or physical measurement by an authorized PHRF-SS measurer. Fixed Prop credit is for 3-bladed or more fixed prop in aperture or on exposed strut. Asymmetric credit is for an aftermarket sprit pole per Section 20 – Asymmetric Spinnakers. If Asymmetric Credit is given, a symmetrical spinnaker may not be flown at any event designated PHRF-SS. Codes appear in Section 8 - Handicap Adjustments of the PHRF-SS Rules & Bylaws.

Owner Signature: \_\_\_\_\_

My signature attests to the fact that all the information contained on this certificate is true and correct to the best of my knowledge and that I have not made any modifications to the boat which have not been reported to PHRF-SS.

Certificate Issue: 4/25/2024

Certificate Expires: 3/31/2025





# SOUTH SHORE PHRF HANDICAP CERTIFICATE

PHRF-SS, LLC., PO Box 347021, Cleveland, OH 44134

<http://phrfss.org>

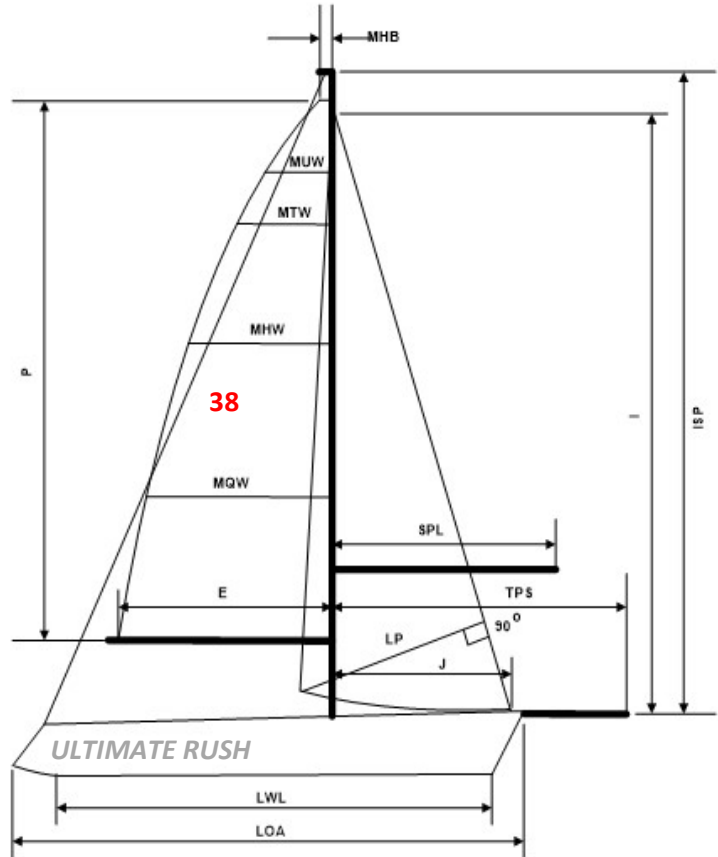
**HCP (Handicap):** 144 sec/nm  
**JAM (Jib & Main):** 154 sec/nm  
**PPF (Perf Prediction Factor):** 3.04  
**TCF (Time Correction Factor):** 0.9731

CREW WEIGHT LIMIT: 1398 LBS.

**YACHT NAME:** ULTIMATE RUSH  
**DESIGN:** ULTIMATE 20  
**OWNER:** Matthew Rush  
**CERTIFICATE:** STND  
**CLASSIFICATION:** HPRF  
**SAIL NO:** 38  
**POWER:** OB  
**CLUB:** LeYC

**LOA:** 20.83 FT.  
**LWL:** 18.00 FT.  
**BEAM:** 8.50 FT.  
**DRAFT:** 5.00 FT.  
**DISPLACEMENT:** 1260 LBS.  
**BALLAST:** 450 LBS.  
**SAIL AREA:** 231 SQ. FT.  
**BASE SPIN:** 282 SQ. FT  
**EST. FORESTAY:** 25.64 FT.

**I:** 26.08 FT.  
**ISP:** 27.58 FT.  
**J:** 6.96 FT.  
**JSP/TPS:** 12.79 FT.  
**P:** 27.32 FT.  
**E:** 10.25 FT.  
**SADR:** 31.71  
**DLR:** 96.45



## HANDICAP ADJUSTMENTS

Adjustments must be requested by the owner and are only made based on visual inspection and/or physical measurement by an authorized PHRF-SS measurer. Fixed Prop credit is for 3-bladed or more fixed prop in aperture or on exposed strut. Asymmetric credit is for an aftermarket sprit pole per Section 20 – Asymmetric Spinnakers. If Asymmetric Credit is given, a symmetrical spinnaker may not be flown at any event designated PHRF-SS. Codes appear in Section 8 - Handicap Adjustments of the PHRF-SS Rules & Bylaws.

Owner Signature: \_\_\_\_\_

My signature attests to the fact that all the information contained on this certificate is true and correct to the best of my knowledge and that I have not made any modifications to the boat which have not been reported to PHRF-SS.

Certificate Issue: 3/1/2024

Certificate Expires: 3/31/2025



# SOUTH SHORE PHRF HANDICAP CERTIFICATE

PHRF-SS, LLC., PO Box 347021, Cleveland, OH 44134

<http://phrfss.org>

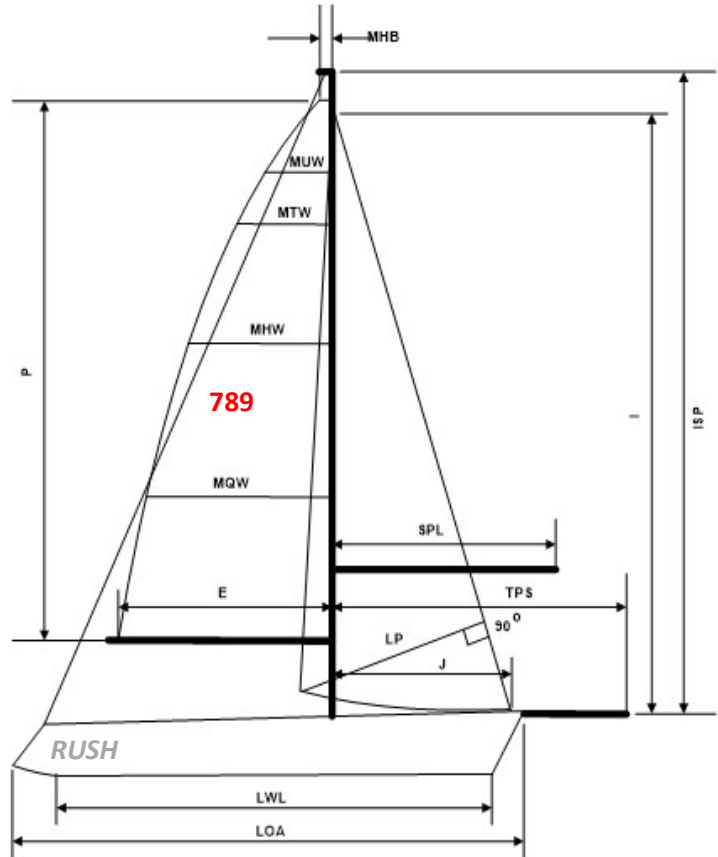
**HCP (Handicap):** 51 sec/nm  
**JAM (Jib & Main):** 62 sec/nm  
**PPF (Perf Prediction Factor):** 2.63  
**TCF (Time Correction Factor):** 1.1676

CREW WEIGHT LIMIT: 2036 LBS.

**YACHT NAME:** RUSH  
**DESIGN:** FT 10M  
**OWNER:** Laurence Rush  
**CERTIFICATE:** STND  
**CLASSIFICATION:** HPRF  
**SAIL NO:** 789  
**POWER:** IB  
**CLUB:** FCYC

**LOA:** 32.65 FT.  
**LWL:** 30.31 FT.  
**BEAM:** 9.15 FT.  
**DRAFT:** 7.62 FT.  
**DISPLACEMENT:** 4900 LBS.  
**BALLAST:** 1918 LBS.  
**SAIL AREA:** 537 SQ. FT.  
**BASE SPIN:** 810 SQ. FT  
**EST. FORESTAY:** 39.05 FT.

**I:** 39.28 FT.  
**ISP:** 45.28 FT.  
**J:** 12.12 FT.  
**JSP/TPS:** 19.13 FT.  
**P:** 40.16 FT.  
**E:** 14.89 FT.  
**SADR:** 29.87  
**DLR:** 78.56



## HANDICAP ADJUSTMENTS

105% JIB, 107 SQM (1150 SQ. FT.)

*Adjustments must be requested by the owner and are only made based on visual inspection and/or physical measurement by an authorized PHRF-SS measurer. Fixed Prop credit is for 3-bladed or more fixed prop in aperture or on exposed strut. Asymmetric credit is for an aftermarket sprit pole per Section 20 – Asymmetric Spinnakers. If Asymmetric Credit is given, a symmetrical spinnaker may not be flown at any event designated PHRF-SS. Codes appear in Section 8 - Handicap Adjustments of the PHRF-SS Rules & Bylaws.*

Owner Signature: \_\_\_\_\_

*My signature attests to the fact that all the information contained on this certificate is true and correct to the best of my knowledge and that I have not made any modifications to the boat which have not been reported to PHRF-SS.*

**Certificate Issue: 2/27/2024**

**Certificate Expires: 3/31/2025**



# SOUTH SHORE PHRF HANDICAP CERTIFICATE

PHRF-SS, LLC., PO Box 347021, Cleveland, OH 44134

<http://phrfss.org>

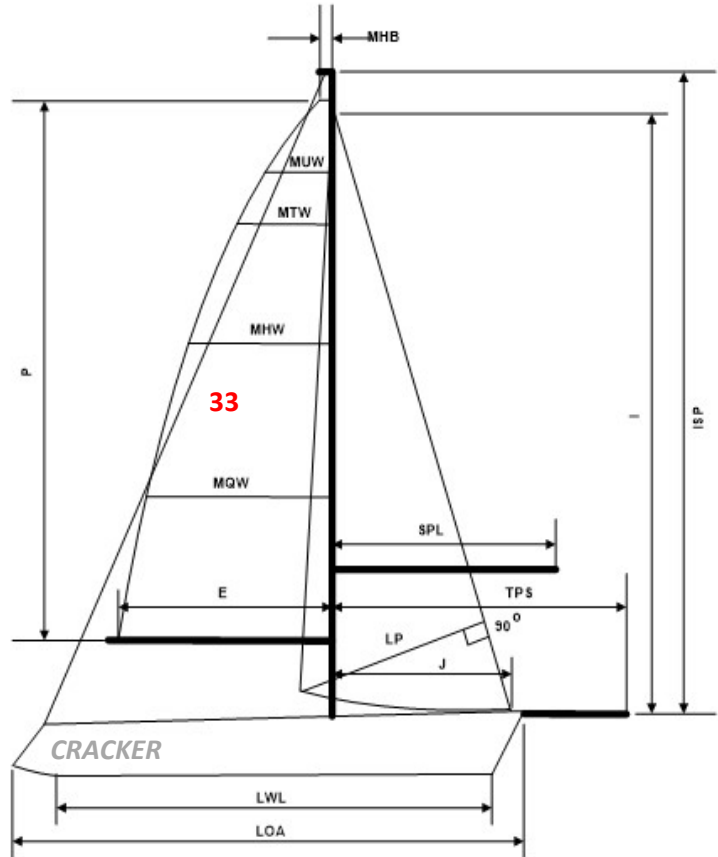
**HCP (Handicap):** 126 sec/nm  
**JAM (Jib & Main):** 130 sec/nm  
**PPF (Perf Prediction Factor):** 7.59  
**TCF (Time Correction Factor):** 1.0056

CREW WEIGHT LIMIT: 1927 LBS.

**YACHT NAME:** CRACKER  
**DESIGN:** TARTAN 10 ODR  
**OWNER:** Karen Sackett-Rampe  
**CERTIFICATE:** **STND**  
**CLASSIFICATION:** DSPL  
**SAIL NO:** 33  
**POWER:** IB  
**CLUB:** MHYC

**LOA:** 33.15 FT.  
**LWL:** 27.00 FT.  
**BEAM:** 9.25 FT.  
**DRAFT:** 5.83 FT.  
**DISPLACEMENT:** 7100 LBS.  
**BALLAST:** 3340 LBS.  
**SAIL AREA:** 488 SQ. FT.  
**BASE SPIN:** 633 SQ. FT.  
**EST. FORESTAY:** 35.15 FT.

**I:** 35.00 FT.  
**ISP:** 35.00 FT.  
**J:** 12.00 FT.  
**JSP/TPS:** 12.00 FT.  
**P:** 40.30 FT.  
**E:** 13.80 FT.  
**SADR:** 21.21  
**DLR:** 161.03



## HANDICAP ADJUSTMENTS

*Adjustments must be requested by the owner and are only made based on visual inspection and/or physical measurement by an authorized PHRF-SS measurer. Fixed Prop credit is for 3-bladed or more fixed prop in aperture or on exposed strut. Asymmetric credit is for an aftermarket sprit pole per Section 20 – Asymmetric Spinnakers. If Asymmetric Credit is given, a symmetrical spinnaker may not be flown at any event designated PHRF-SS. Codes appear in Section 8 - Handicap Adjustments of the PHRF-SS Rules & Bylaws.*

Owner Signature: \_\_\_\_\_

*My signature attests to the fact that all the information contained on this certificate is true and correct to the best of my knowledge and that I have not made any modifications to the boat which have not been reported to PHRF-SS.*

**Certificate Issue: 3/9/2024**

**Certificate Expires: 3/31/2025**



# SOUTH SHORE PHRF HANDICAP CERTIFICATE

PHRF-SS, LLC., PO Box 347021, Cleveland, OH 44134

<http://phrfss.org>

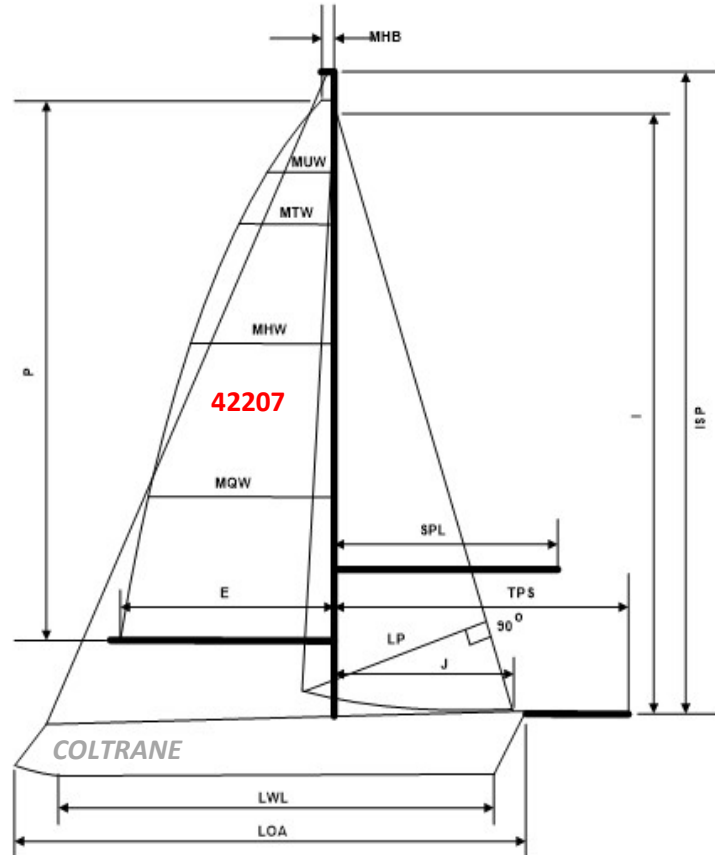
**HCP (Handicap):** 72 sec/nm  
**JAM (Jib & Main):** 81 sec/nm  
**PPF (Perf Prediction Factor):** 8.15  
**TCF (Time Correction Factor):** 1.1172

CREW WEIGHT LIMIT: 2145 LBS.

**YACHT NAME:** COLTRANE  
**DESIGN:** J-35  
**OWNER:** Michael Savage  
**CERTIFICATE:** STND  
**CLASSIFICATION:** DSPL  
**SAIL NO:** 42207  
**POWER:** IB  
**CLUB:** EWM

**LOA:** 35.50 FT.  
**LWL:** 30.00 FT.  
**BEAM:** 11.80 FT.  
**DRAFT:** 6.90 FT.  
**DISPLACEMENT:** 10500 LBS.  
**BALLAST:** 4400 LBS.  
**SAIL AREA:** 636 SQ. FT.  
**BASE SPIN:** 1031 SQ. FT  
**EST. FORESTAY:** 46.45 FT.

**I:** 46.60 FT.  
**ISP:** 46.60 FT.  
**J:** 14.80 FT.  
**JSP/TPS:** 14.80 FT.  
**P:** 41.60 FT.  
**E:** 14.00 FT.  
**SADR:** 21.30  
**DLR:** 173.61



## HANDICAP ADJUSTMENTS

*Adjustments must be requested by the owner and are only made based on visual inspection and/or physical measurement by an authorized PHRF-SS measurer. Fixed Prop credit is for 3-bladed or more fixed prop in aperture or on exposed strut. Asymmetric credit is for an aftermarket sprit pole per Section 20 – Asymmetric Spinnakers. If Asymmetric Credit is given, a symmetrical spinnaker may not be flown at any event designated PHRF-SS. Codes appear in Section 8 - Handicap Adjustments of the PHRF-SS Rules & Bylaws.*

Owner Signature: \_\_\_\_\_

*My signature attests to the fact that all the information contained on this certificate is true and correct to the best of my knowledge and that I have not made any modifications to the boat which have not been reported to PHRF-SS.*

**Certificate Issue: 2/28/2024**

**Certificate Expires: 3/31/2025**



# SOUTH SHORE PHRF HANDICAP CERTIFICATE

PHRF-SS, LLC., PO Box 347021, Cleveland, OH 44134

<http://phrfss.org>

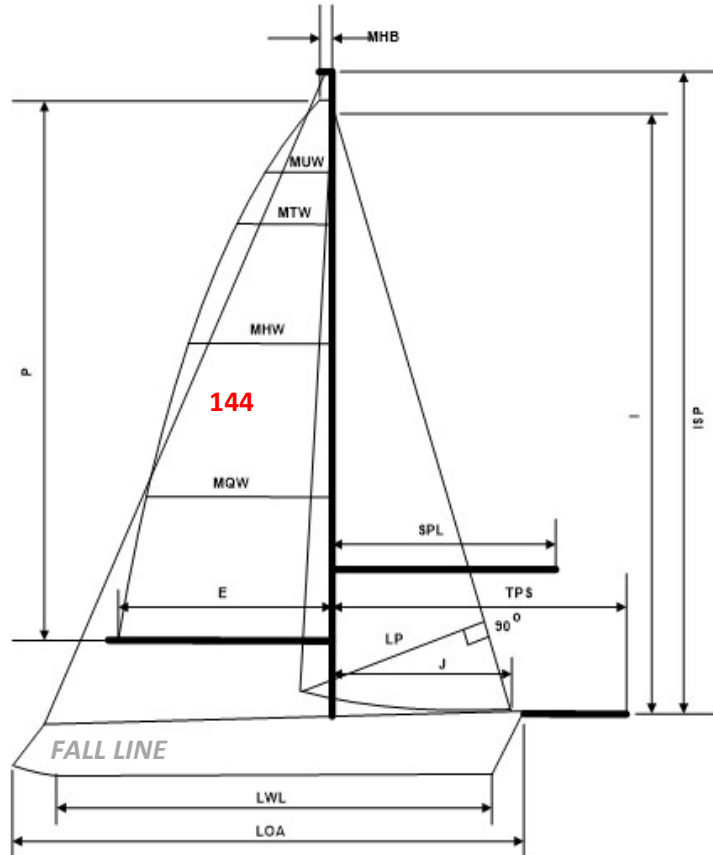
**HCP (Handicap):** 90 sec/nm  
**JAM (Jib & Main):** 100 sec/nm  
**PPF (Perf Prediction Factor):** 6.74  
**TCF (Time Correction Factor):** 1.0773

CREW WEIGHT LIMIT: 2061 LBS.

**YACHT NAME:** FALL LINE  
**DESIGN:** J-105 ODR  
**OWNER:** Chip Schaffner  
**CERTIFICATE:** ODR  
**CLASSIFICATION:** DSPL  
**SAIL NO:** 144  
**POWER:** IB  
**CLUB:** EWYC

**LOA:** 34.50 FT.  
**LWL:** 29.50 FT.  
**BEAM:** 11.00 FT.  
**DRAFT:** 6.50 FT.  
**DISPLACEMENT:** 8575 LBS.  
**BALLAST:** 3400 LBS.  
**SAIL AREA:** 577 SQ. FT.  
**BASE SPIN:** 851 SQ. FT  
**EST. FORESTAY:** 40.65 FT.

**I:** 40.60 FT.  
**ISP:** 42.10 FT.  
**J:** 13.50 FT.  
**JSP/TPS:** 19.00 FT.  
**P:** 41.50 FT.  
**E:** 14.60 FT.  
**SADR:** 22.11  
**DLR:** 149.11



## HANDICAP ADJUSTMENTS

ODR 102% JIB/89 SQM ASYM

*Adjustments must be requested by the owner and are only made based on visual inspection and/or physical measurement by an authorized PHRF-SS measurer. Fixed Prop credit is for 3-bladed or more fixed prop in aperture or on exposed strut. Asymmetric credit is for an aftermarket sprit pole per Section 20 – Asymmetric Spinnakers. If Asymmetric Credit is given, a symmetrical spinnaker may not be flown at any event designated PHRF-SS. Codes appear in Section 8 - Handicap Adjustments of the PHRF-SS Rules & Bylaws.*

Owner Signature: \_\_\_\_\_

*My signature attests to the fact that all the information contained on this certificate is true and correct to the best of my knowledge and that I have not made any modifications to the boat which have not been reported to PHRF-SS.*

**Certificate Issue: 3/1/2024**

**Certificate Expires: 3/31/2025**



# SOUTH SHORE PHRF HANDICAP CERTIFICATE

PHRF-SS, LLC., PO Box 347021, Cleveland, OH 44134

<http://phrfss.org>

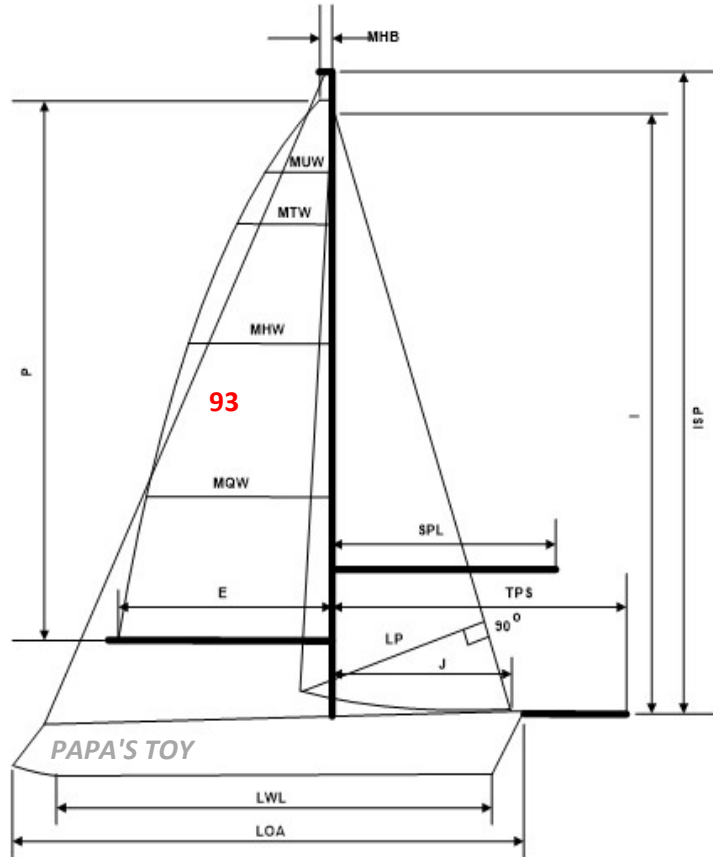
**HCP (Handicap):** 39 sec/nm  
**JAM (Jib & Main):** 51 sec/nm  
**PPF (Perf Prediction Factor):** 5.02  
**TCF (Time Correction Factor):** 1.1985

CREW WEIGHT LIMIT: 2230 LBS.

**YACHT NAME:** PAPA'S TOY  
**DESIGN:** J-111  
**OWNER:** Hugh Scott Seaholm  
**CERTIFICATE:** ODR  
**CLASSIFICATION:** DSPL  
**SAIL NO:** 93  
**POWER:** IB  
**CLUB:** MHYC

**LOA:** 36.42 FT.  
**LWL:** 32.71 FT.  
**BEAM:** 10.80 FT.  
**DRAFT:** 7.18 FT.  
**DISPLACEMENT:** 9370 LBS.  
**BALLAST:** 3516 LBS.  
**SAIL AREA:** 659 SQ. FT.  
**BASE SPIN:** 1047 SQ. FT  
**EST. FORESTAY:** 47.22 FT.

**I:** 47.74 FT.  
**ISP:** 51.23 FT.  
**J:** 13.85 FT.  
**JSP/TPS:** 21.33 FT.  
**P:** 45.24 FT.  
**E:** 14.50 FT.  
**SADR:** 23.79  
**DLR:** 119.52



## HANDICAP ADJUSTMENTS

106% JIB, 130 SQM (1399 SQ. FT)

*Adjustments must be requested by the owner and are only made based on visual inspection and/or physical measurement by an authorized PHRF-SS measurer. Fixed Prop credit is for 3-bladed or more fixed prop in aperture or on exposed strut. Asymmetric credit is for an aftermarket sprit pole per Section 20 – Asymmetric Spinnakers. If Asymmetric Credit is given, a symmetrical spinnaker may not be flown at any event designated PHRF-SS. Codes appear in Section 8 - Handicap Adjustments of the PHRF-SS Rules & Bylaws.*

Owner Signature: \_\_\_\_\_

*My signature attests to the fact that all the information contained on this certificate is true and correct to the best of my knowledge and that I have not made any modifications to the boat which have not been reported to PHRF-SS.*

**Certificate Issue: 4/25/2024**

**Certificate Expires: 3/31/2025**



# SOUTH SHORE PHRF HANDICAP CERTIFICATE

PHRF-SS, LLC., PO Box 347021, Cleveland, OH 44134

<http://phrfss.org>

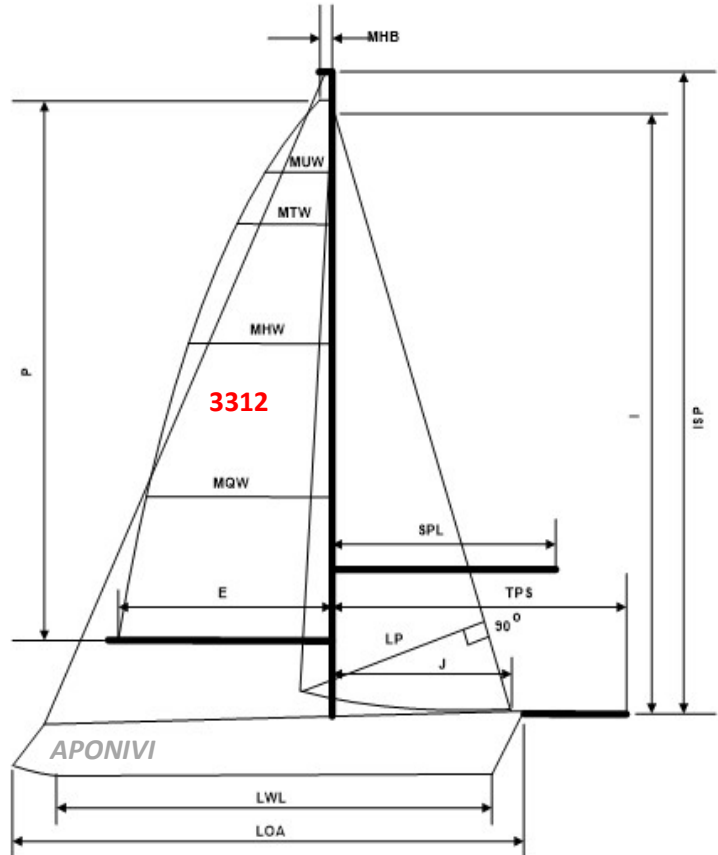
**HCP (Handicap):** 156 sec/nm  
**JAM (Jib & Main):** 166 sec/nm  
**PPF (Perf Prediction Factor):** 14.14  
**TCF (Time Correction Factor):** 0.9527

CREW WEIGHT LIMIT: 1870 LBS.

**YACHT NAME:** APONIVI  
**DESIGN:** CS 33 SD  
**OWNER:** Bron Taoras  
**CERTIFICATE:** TEMP  
**CLASSIFICATION:** DSPL  
**SAIL NO:** 3312  
**POWER:** IB  
**CLUB:** EWYC

**LOA:** 32.67 FT.  
**LWL:** 26.42 FT.  
**BEAM:** 10.67 FT.  
**DRAFT:** 4.58 FT.  
**DISPLACEMENT:** 10100 LBS.  
**BALLAST:** 4400 LBS.  
**SAIL AREA:** 503 SQ. FT.  
**BASE SPIN:** 864 SQ. FT  
**EST. FORESTAY:** 43.64 FT.

**I:** 44.00 FT.  
**ISP:** 44.00 FT.  
**J:** 13.20 FT.  
**JSP/TPS:** 13.20 FT.  
**P:** 38.00 FT.  
**E:** 11.20 FT.  
**SADR:** 17.29  
**DLR:** 244.50



## HANDICAP ADJUSTMENTS

+3RFG

*Adjustments must be requested by the owner and are only made based on visual inspection and/or physical measurement by an authorized PHRF-SS measurer. Fixed Prop credit is for 3-bladed or more fixed prop in aperture or on exposed strut. Asymmetric credit is for an aftermarket sprit pole per Section 20 – Asymmetric Spinnakers. If Asymmetric Credit is given, a symmetrical spinnaker may not be flown at any event designated PHRF-SS. Codes appear in Section 8 - Handicap Adjustments of the PHRF-SS Rules & Bylaws.*

Owner Signature: \_\_\_\_\_

*My signature attests to the fact that all the information contained on this certificate is true and correct to the best of my knowledge and that I have not made any modifications to the boat which have not been reported to PHRF-SS.*

Certificate Issue: 3/21/2024

Certificate Expires: 3/31/2025



# SOUTH SHORE PHRF HANDICAP CERTIFICATE

PHRF-SS, LLC., PO Box 347021, Cleveland, OH 44134

<http://phrfss.org>

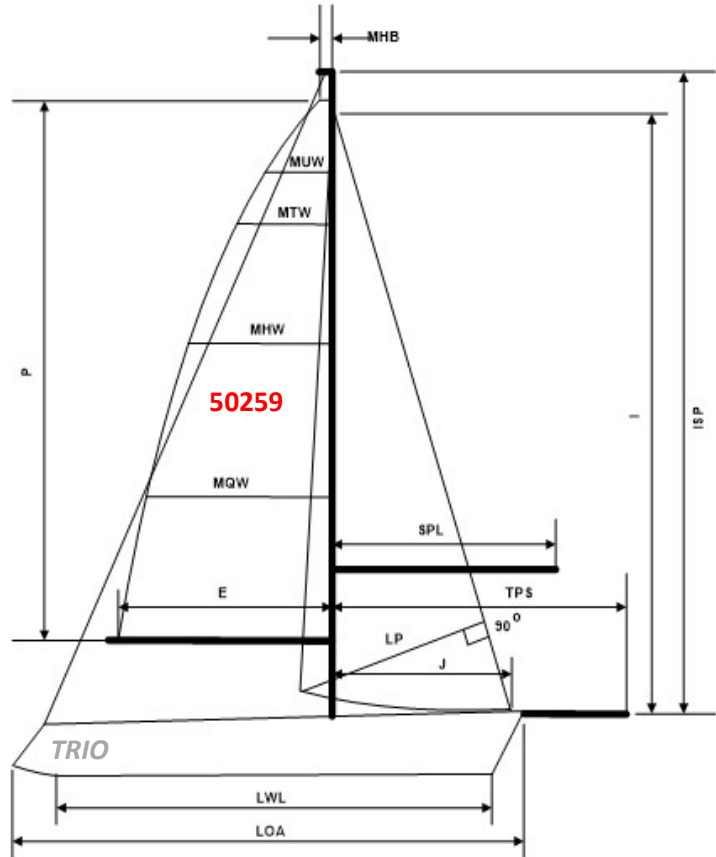
**HCP (Handicap):** 90 sec/nm  
**JAM (Jib & Main):** 100 sec/nm  
**PPF (Perf Prediction Factor):** 6.74  
**TCF (Time Correction Factor):** 1.0773

CREW WEIGHT LIMIT: 2061 LBS.

**YACHT NAME:** TRIO  
**DESIGN:** J-105 ODR  
**OWNER:** Paul Uhler  
**CERTIFICATE:** STND  
**CLASSIFICATION:** DSPL  
**SAIL NO:** 50259  
**POWER:** IB  
**CLUB:** EWYC

**LOA:** 34.50 FT.  
**LWL:** 29.50 FT.  
**BEAM:** 11.00 FT.  
**DRAFT:** 6.50 FT.  
**DISPLACEMENT:** 8575 LBS.  
**BALLAST:** 3400 LBS.  
**SAIL AREA:** 577 SQ. FT.  
**BASE SPIN:** 851 SQ. FT  
**EST. FORESTAY:** 40.65 FT.

**I:** 40.60 FT.  
**ISP:** 42.10 FT.  
**J:** 13.50 FT.  
**JSP/TPS:** 19.00 FT.  
**P:** 41.50 FT.  
**E:** 14.60 FT.  
**SADR:** 22.11  
**DLR:** 149.11



## HANDICAP ADJUSTMENTS

ODR 102% JIB/89 SQM ASYM

*Adjustments must be requested by the owner and are only made based on visual inspection and/or physical measurement by an authorized PHRF-SS measurer. Fixed Prop credit is for 3-bladed or more fixed prop in aperture or on exposed strut. Asymmetric credit is for an aftermarket sprit pole per Section 20 – Asymmetric Spinnakers. If Asymmetric Credit is given, a symmetrical spinnaker may not be flown at any event designated PHRF-SS. Codes appear in Section 8 - Handicap Adjustments of the PHRF-SS Rules & Bylaws.*

Owner Signature: \_\_\_\_\_

*My signature attests to the fact that all the information contained on this certificate is true and correct to the best of my knowledge and that I have not made any modifications to the boat which have not been reported to PHRF-SS.*

**Certificate Issue: 2/27/2024**

**Certificate Expires: 3/31/2025**





# SOUTH SHORE PHRF HANDICAP CERTIFICATE

PHRF-SS, LLC., PO Box 347021, Cleveland, OH 44134

<http://phrfss.org>

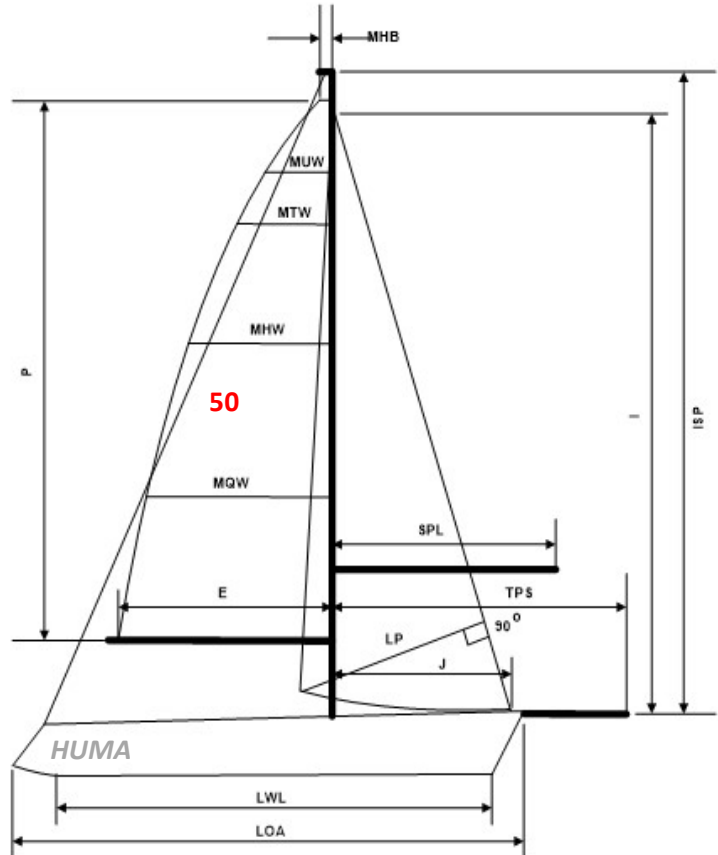
**HCP (Handicap):** 105 sec/nm  
**JAM (Jib & Main):** 114 sec/nm  
**PPF (Perf Prediction Factor):** 9.99  
**TCF (Time Correction Factor):** 1.0462

CREW WEIGHT LIMIT: 2742 LBS.

**YACHT NAME:** HUMA  
**DESIGN:** JEANNEAU 50 DS SD  
**OWNER:** Marc & Jen Uhrich  
**CERTIFICATE:** STND  
**CLASSIFICATION:** DSPL  
**SAIL NO:** 50  
**POWER:** IB  
**CLUB:** EWYC

**LOA:** 49.44 FT.  
**LWL:** 43.04 FT.  
**BEAM:** 14.73 FT.  
**DRAFT:** 5.54 FT.  
**DISPLACEMENT:** 29542 LBS.  
**BALLAST:** 9038 LBS.  
**SAIL AREA:** 985 SQ. FT.  
**BASE SPIN:** 1548 SQ. FT  
**EST. FORESTAY:** 54.96 FT.

**I:** 54.77 FT.  
**ISP:** 55.27 FT.  
**J:** 18.63 FT.  
**JSP/TPS:** 20.74 FT.  
**P:** 51.67 FT.  
**E:** 18.37 FT.  
**SADR:** 16.56  
**DLR:** 165.42



## HANDICAP ADJUSTMENTS

+3 RFG / +9 RFM / 100% Asym declared

*Adjustments must be requested by the owner and are only made based on visual inspection and/or physical measurement by an authorized PHRF-SS measurer. Fixed Prop credit is for 3-bladed or more fixed prop in aperture or on exposed strut. Asymmetric credit is for an aftermarket sprit pole per Section 20 – Asymmetric Spinnakers. If Asymmetric Credit is given, a symmetrical spinnaker may not be flown at any event designated PHRF-SS. Codes appear in Section 8 - Handicap Adjustments of the PHRF-SS Rules & Bylaws.*

Owner Signature: \_\_\_\_\_

*My signature attests to the fact that all the information contained on this certificate is true and correct to the best of my knowledge and that I have not made any modifications to the boat which have not been reported to PHRF-SS.*

**Certificate Issue: 3/24/2024**

**Certificate Expires: 3/31/2025**



# SOUTH SHORE PHRF HANDICAP CERTIFICATE

PHRF-SS, LLC., PO Box 347021, Cleveland, OH 44134

<http://phrfss.org>

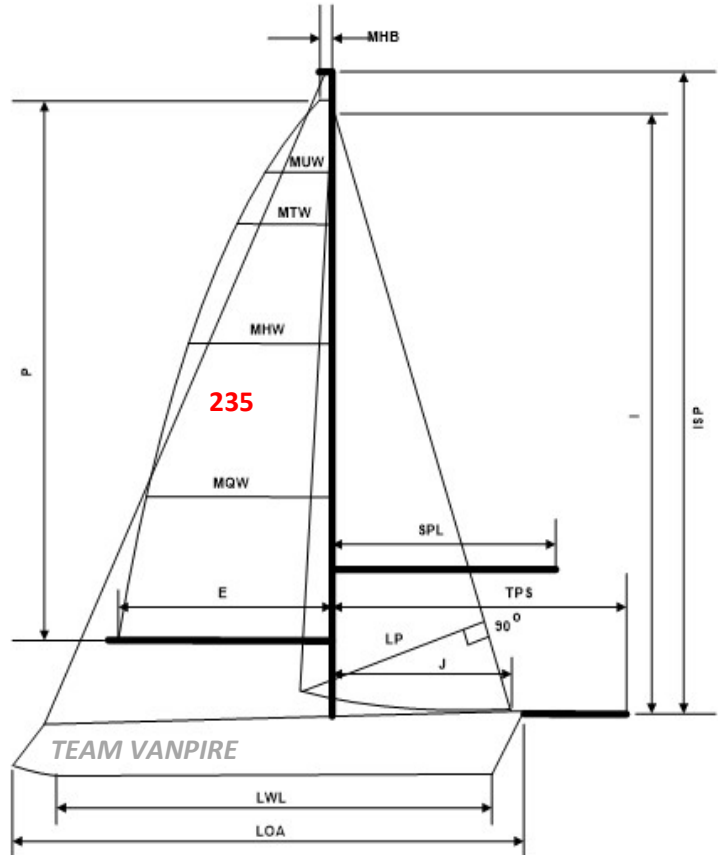
**HCP (Handicap):** 15 sec/nm  
**JAM (Jib & Main):** 25 sec/nm  
**PPF (Perf Prediction Factor):** 1.98  
**TCF (Time Correction Factor):** 1.2655

CREW WEIGHT LIMIT: 2062 LBS.

**YACHT NAME:** TEAM VANPIRE  
**DESIGN:** MELGES 32 ODR  
**OWNER:** Willem van Heeckeren  
**CERTIFICATE:** **STND**  
**CLASSIFICATION:** HPRF  
**SAIL NO:** 235  
**POWER:** IB  
**CLUB:** EWYC

**LOA:** 31.83 FT.  
**LWL:** 28.50 FT.  
**BEAM:** 9.83 FT.  
**DRAFT:** 7.00 FT.  
**DISPLACEMENT:** 3774 LBS.  
**BALLAST:** 1570 LBS.  
**SAIL AREA:** 554 SQ. FT.  
**BASE SPIN:** 760 SQ. FT  
**EST. FORESTAY:** 39.27 FT.

**I:** 39.90 FT.  
**ISP:** 48.20 FT.  
**J:** 10.80 FT.  
**JSP/TPS:** 19.43 FT.  
**P:** 44.00 FT.  
**E:** 15.40 FT.  
**SADR:** 36.68  
**DLR:** 72.78



## HANDICAP ADJUSTMENTS

104% JIB / 103SQM - 121SQM

*Adjustments must be requested by the owner and are only made based on visual inspection and/or physical measurement by an authorized PHRF-SS measurer. Fixed Prop credit is for 3-bladed or more fixed prop in aperture or on exposed strut. Asymmetric credit is for an aftermarket sprit pole per Section 20 – Asymmetric Spinnakers. If Asymmetric Credit is given, a symmetrical spinnaker may not be flown at any event designated PHRF-SS. Codes appear in Section 8 - Handicap Adjustments of the PHRF-SS Rules & Bylaws.*

Owner Signature: \_\_\_\_\_

*My signature attests to the fact that all the information contained on this certificate is true and correct to the best of my knowledge and that I have not made any modifications to the boat which have not been reported to PHRF-SS.*

**Certificate Issue: 3/21/2024**

**Certificate Expires: 3/31/2025**



# SOUTH SHORE PHRF HANDICAP CERTIFICATE

PHRF-SS, LLC., PO Box 347021, Cleveland, OH 44134

<http://phrfss.org>

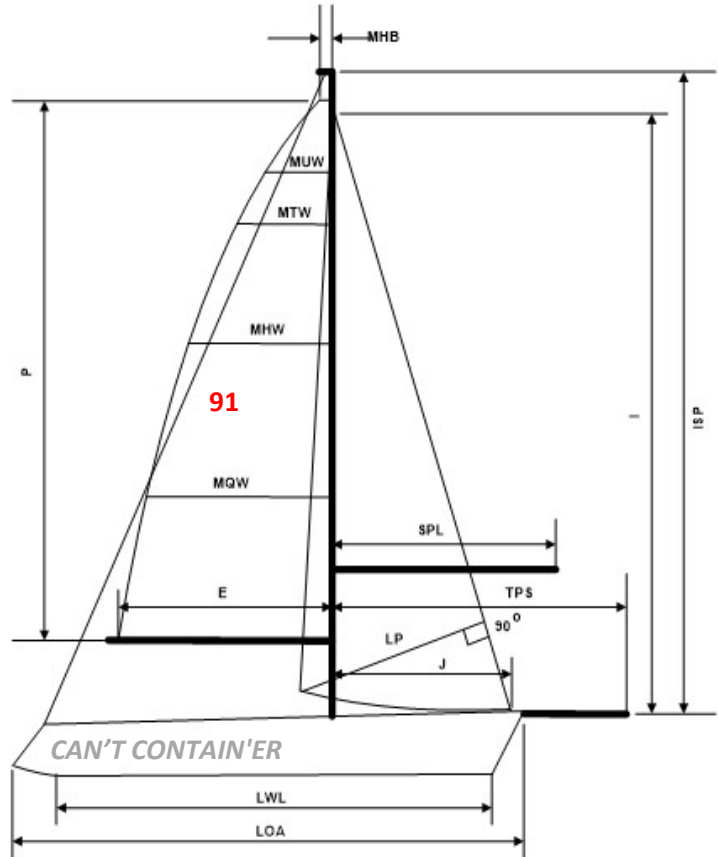
**HCP (Handicap):** 132 sec/nm  
**JAM (Jib & Main):** 141 sec/nm  
**PPF (Perf Prediction Factor):** 10.67  
**TCF (Time Correction Factor):** 0.9945

CREW WEIGHT LIMIT: 2039 LBS.

**YACHT NAME:** CAN'T CONTAIN'ER  
**DESIGN:** TARTAN 3500 SD BT  
**OWNER:** Mike Vining  
**CERTIFICATE:** STND  
**CLASSIFICATION:** DSPL  
**SAIL NO:** 91  
**POWER:** IB  
**CLUB:** EWYC

**LOA:** 35.21 FT.  
**LWL:** 30.00 FT.  
**BEAM:** 11.75 FT.  
**DRAFT:** 4.83 FT.  
**DISPLACEMENT:** 12100 LBS.  
**BALLAST:** 4900 LBS.  
**SAIL AREA:** 615 SQ. FT.  
**BASE SPIN:** 955 SQ. FT.  
**EST. FORESTAY:** 48.73 FT.

**I:** 46.75 FT.  
**ISP:** 46.75 FT.  
**J:** 13.75 FT.  
**JSP/TPS:** 14.75 FT.  
**P:** 41.25 FT.  
**E:** 14.25 FT.  
**SADR:** 18.74  
**DLR:** 200.07



## HANDICAP ADJUSTMENTS

+6ASM

*Adjustments must be requested by the owner and are only made based on visual inspection and/or physical measurement by an authorized PHRF-SS measurer. Fixed Prop credit is for 3-bladed or more fixed prop in aperture or on exposed strut. Asymmetric credit is for an aftermarket sprit pole per Section 20 – Asymmetric Spinnakers. If Asymmetric Credit is given, a symmetrical spinnaker may not be flown at any event designated PHRF-SS. Codes appear in Section 8 - Handicap Adjustments of the PHRF-SS Rules & Bylaws.*

Owner Signature: \_\_\_\_\_

*My signature attests to the fact that all the information contained on this certificate is true and correct to the best of my knowledge and that I have not made any modifications to the boat which have not been reported to PHRF-SS.*

**Certificate Issue: 4/11/2024**

**Certificate Expires: 3/31/2025**



# SOUTH SHORE PHRF HANDICAP CERTIFICATE

PHRF-SS, LLC., PO Box 347021, Cleveland, OH 44134

<http://phrfss.org>

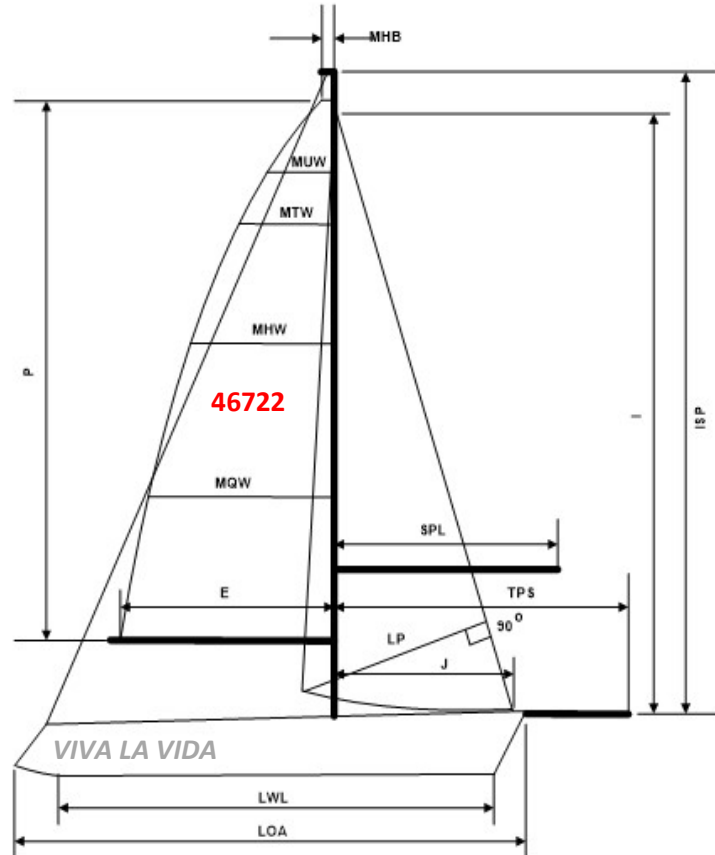
**HCP (Handicap):** 48 sec/nm  
**JAM (Jib & Main):** 58 sec/nm  
**PPF (Perf Prediction Factor):** 6.98  
**TCF (Time Correction Factor):** 1.1752

CREW WEIGHT LIMIT: 2393 LBS.

**YACHT NAME:** VIVA LA VIDA  
**DESIGN:** J-120 AL ODR  
**OWNER:** Tim Yanda  
**CERTIFICATE:** **ODR**  
**CLASSIFICATION:** DSPL  
**SAIL NO:** 46722  
**POWER:** IB  
**CLUB:** EWYC

**LOA:** 40.00 FT.  
**LWL:** 34.50 FT.  
**BEAM:** 12.00 FT.  
**DRAFT:** 7.00 FT.  
**DISPLACEMENT:** 13900 LBS.  
**BALLAST:** 6000 LBS.  
**SAIL AREA:** 780 SQ. FT.  
**BASE SPIN:** 1115 SQ. FT.  
**EST. FORESTAY:** 49.91 FT.

**I:** 50.50 FT.  
**ISP:** 52.00 FT.  
**J:** 14.50 FT.  
**JSP/TPS:** 21.50 FT.  
**P:** 46.50 FT.  
**E:** 17.80 FT.  
**SADR:** 21.66  
**DLR:** 151.12



## HANDICAP ADJUSTMENTS

*Adjustments must be requested by the owner and are only made based on visual inspection and/or physical measurement by an authorized PHRF-SS measurer. Fixed Prop credit is for 3-bladed or more fixed prop in aperture or on exposed strut. Asymmetric credit is for an aftermarket sprit pole per Section 20 – Asymmetric Spinnakers. If Asymmetric Credit is given, a symmetrical spinnaker may not be flown at any event designated PHRF-SS. Codes appear in Section 8 - Handicap Adjustments of the PHRF-SS Rules & Bylaws.*

Owner Signature: \_\_\_\_\_

*My signature attests to the fact that all the information contained on this certificate is true and correct to the best of my knowledge and that I have not made any modifications to the boat which have not been reported to PHRF-SS.*

**Certificate Issue: 2/28/2024**

**Certificate Expires: 3/31/2025**



# SOUTH SHORE PHRF HANDICAP CERTIFICATE

PHRF-SS, LLC., PO Box 347021, Cleveland, OH 44134

<http://phrfss.org>

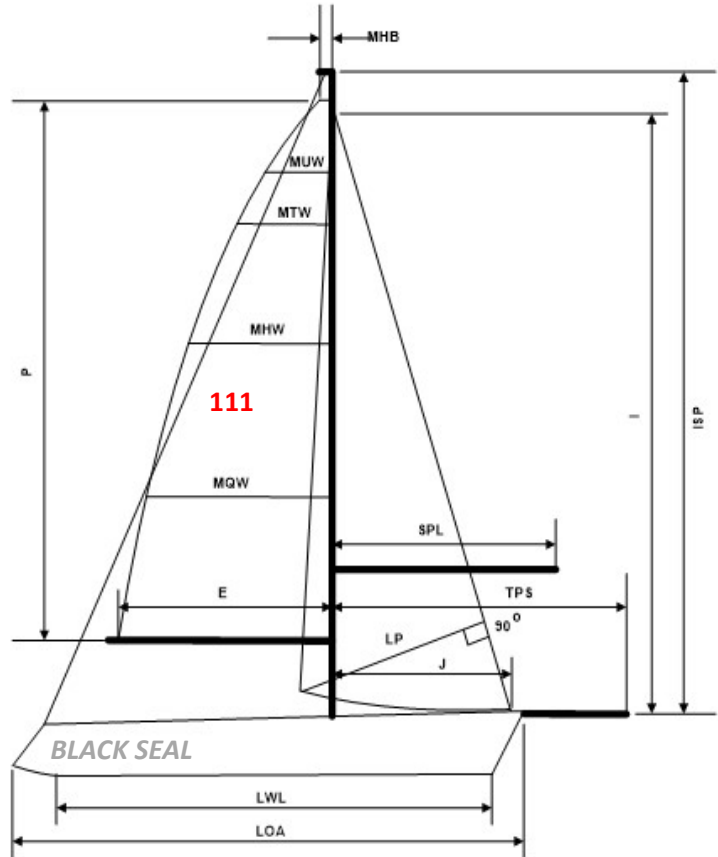
**HCP (Handicap):** 39 sec/nm  
**JAM (Jib & Main):** 51 sec/nm  
**PPF (Perf Prediction Factor):** 5.02  
**TCF (Time Correction Factor):** 1.1985

CREW WEIGHT LIMIT: 2230 LBS.

**YACHT NAME:** BLACK SEAL  
**DESIGN:** J-111  
**OWNER:** Seth Young  
**CERTIFICATE:** ODR  
**CLASSIFICATION:** DSPL  
**SAIL NO:** 111  
**POWER:** IB  
**CLUB:** LYC

**LOA:** 36.42 FT.  
**LWL:** 32.71 FT.  
**BEAM:** 10.80 FT.  
**DRAFT:** 7.18 FT.  
**DISPLACEMENT:** 9370 LBS.  
**BALLAST:** 3516 LBS.  
**SAIL AREA:** 659 SQ. FT.  
**BASE SPIN:** 1047 SQ. FT  
**EST. FORESTAY:** 49.71 FT.

**I:** 47.74 FT.  
**ISP:** 51.23 FT.  
**J:** 13.85 FT.  
**JSP/TPS:** 21.33 FT.  
**P:** 45.24 FT.  
**E:** 14.50 FT.  
**SADR:** 23.79  
**DLR:** 119.52



## HANDICAP ADJUSTMENTS

106% JIB, 130 SQM (1399 SQ. FT)

*Adjustments must be requested by the owner and are only made based on visual inspection and/or physical measurement by an authorized PHRF-SS measurer. Fixed Prop credit is for 3-bladed or more fixed prop in aperture or on exposed strut. Asymmetric credit is for an aftermarket sprit pole per Section 20 – Asymmetric Spinnakers. If Asymmetric Credit is given, a symmetrical spinnaker may not be flown at any event designated PHRF-SS. Codes appear in Section 8 - Handicap Adjustments of the PHRF-SS Rules & Bylaws.*

Owner Signature: \_\_\_\_\_

*My signature attests to the fact that all the information contained on this certificate is true and correct to the best of my knowledge and that I have not made any modifications to the boat which have not been reported to PHRF-SS.*

**Certificate Issue: 4/14/2024**

**Certificate Expires: 3/31/2025**