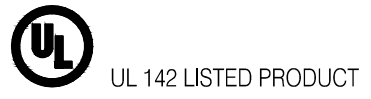
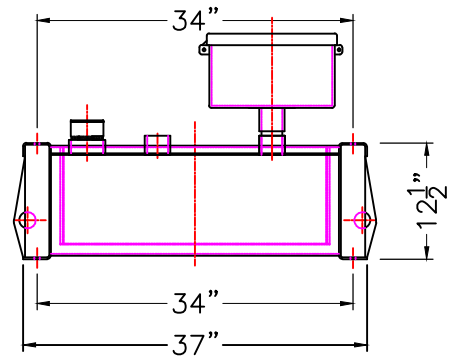
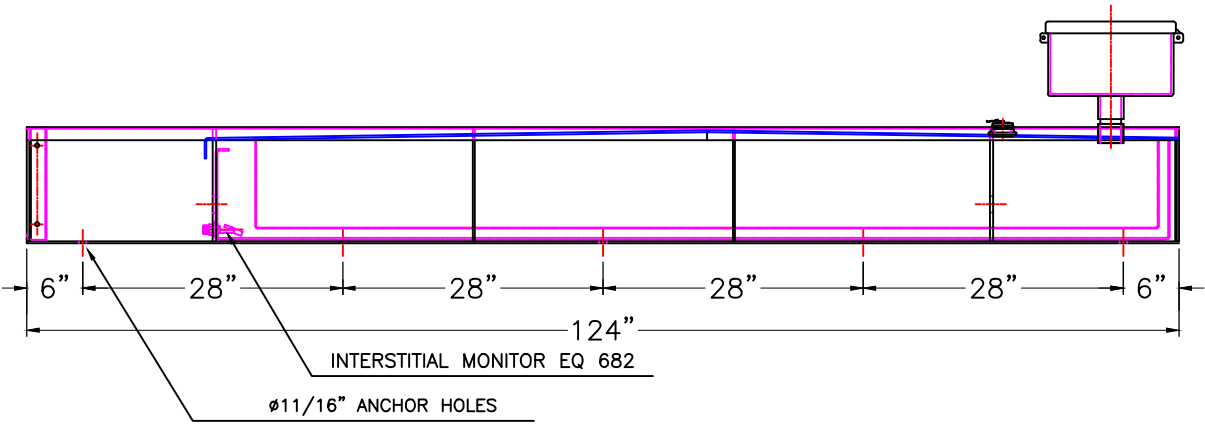


| COMPONENT MATERIALS LIST | | |
|--------------------------|------|---|
| ITEM | QT'Y | DESCRIPTION |
| A | 1 | 2"OR 4" NPT COUPLING (FILL W/ OPTIONAL FDEP PACKAGE) |
| B | 1 | 2' NPT COUPLING (LEVEL GAUGE-KRUEGER SENTRY GAUGE EQ-730) |
| C | 1 | 2" NPT COUPLING (HIGH LEVEL SWITCH EQ-832) |
| D | 1 | 1" NPT COUPLING (FUEL SUCTION LINE) |
| E | 1 | 1" NPT COUPLING (FUEL RETURN LINE) |
| F | 1 | 2" NPT COUPLING (LOW LEVEL SWITCH EQ-832) |
| G | 1 | 1 1/4" NPT COUPLING (NORMAL VENT) |
| H | 1 | 3" NPT COUPLING (EMERGENCY VENT) |
| J | 2 | 2" NPT COUPLING (SPARE) |
| K | 1 | 1/2" NPT FLANGE(LEAK DETECTOR SWITCH EQ-682) |

- NOTES:
- TANK TO BE INSTALLED IN ACCORDANCE WITH AFFIXED LABELING, FDEP REQUIREMENTS, THE FLAMMABLE AND COMBUSTIBLE LIQUIDS CODE, NFPA 30 AND ANY OTHER PREVAILING CODE.
 - THIS SUBBASE TANK IS DESIGNED TO SUPPORT A DIESEL ENGINE GENERATOR AND ENCLOSURE.
 - TANK IS CAPABLE TO BE MONITORED TROUGH PHYSICAL MONITORING OR ALARM MONITORING.
 - FILE NO. ~~EQ-700~~
 - LEAK DETECTION SWITCH WIRED TO CONTROL PANEL TERMINAL STRIP
 - HIGH/ LOW/ LEAK DETECTION SWITCHES CONNECTED VIA ELECTRICAL WIRES TO THE GENERATOR CONTROL PANEL
 - LOW FUEL LEVEL ALARM SWITCH SET @ 10% REMAININGWIRED TO CONTROL PANEL

5 GALLONS FDEP PACKAGE EQ-725(OPTIONAL) OR
7 GALLONS FDEP PACKAGE EQ-345 (OPTIONAL)



TANK WEIGHT
960 LBS

| | | | |
|--|---|-------------------------------|-----|
| ENGINEERED MANUFACTURING CORP. HIALEAH, FLORIDA | | | |
| 100 GLS 142 UL TANK | | | |
| SIZE: | DATE: 10-12-15 | DWG NO. 100 GAL UL 142 -COMM. | REV |
| SCALE: | CAD FILE: EMC PROJECTS/COMMERCIAL TANKS | | |

PART # 10EM 100 GAL UL