

4

3

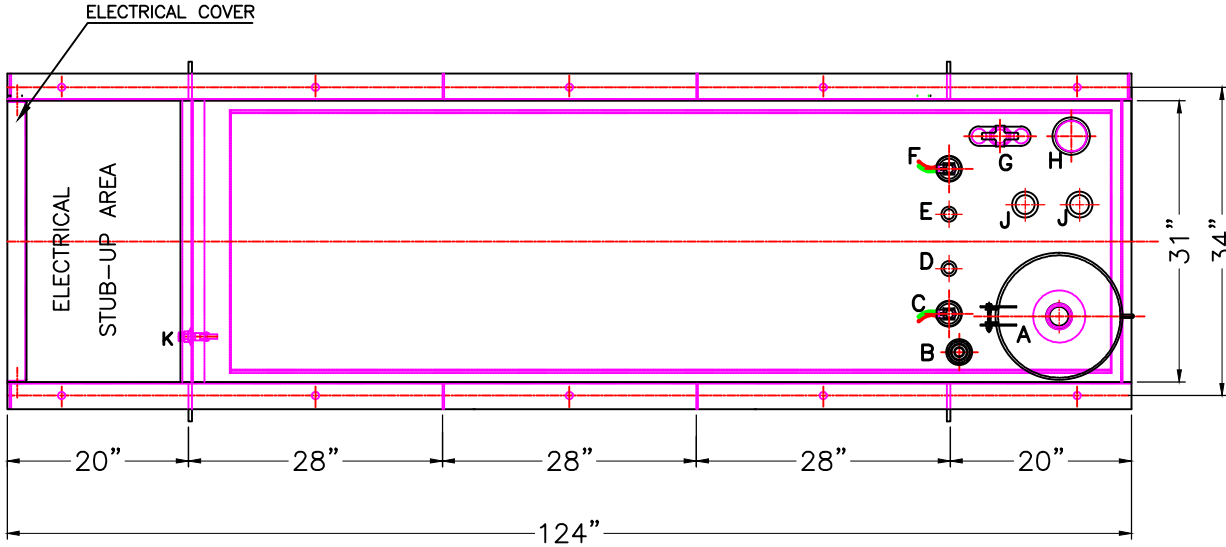
1

COMPONENT MATERIALS LIST

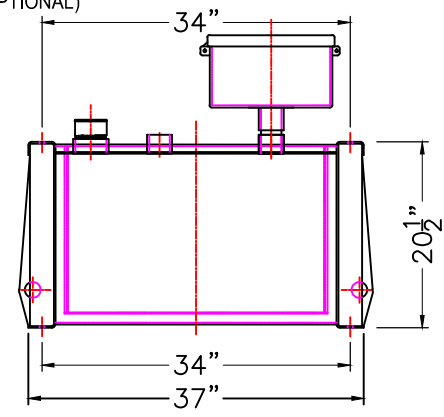
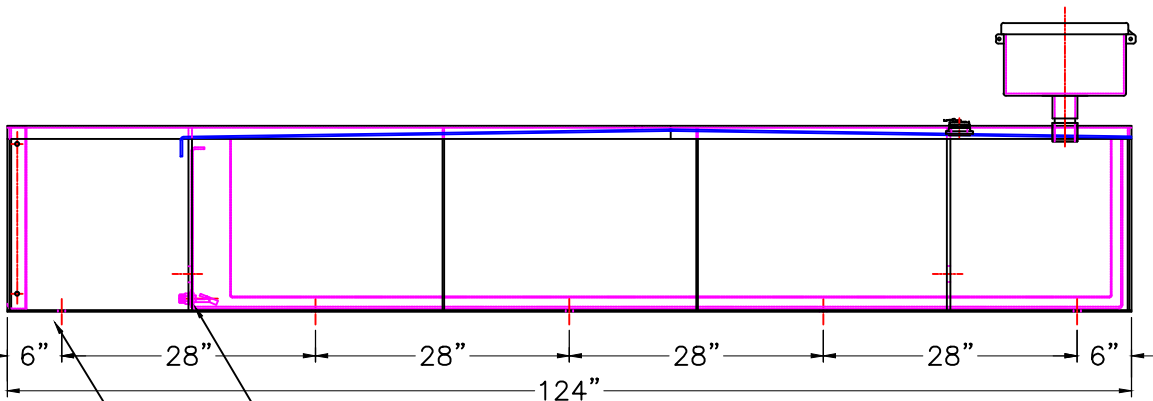
ITEM	QT'Y	DESCRIPTION
A	1	2"OR 4" NPT COUPLING (FILL W/ OPTIONAL FDEP PACKAGE )
B	1	2' NPT COUPLING (LEVEL GAUGE-KRUEGER SENTRY GAUGE EQ-730)
C	1	2" NPT COUPLING (HIGH LEVEL SWITCH EQ-832)
D	1	1" NPT COUPLING (FUEL SUCTION LINE)
E	1	1" NPT COUPLING (FUEL RETURN LINE)
F	1	2" NPT COUPLING (LOW LEVEL SWITCH EQ-832)
G	1	1 1/4" NPT COUPLING (NORMAL VENT)
H	1	3" NPT COUPLING (EMERGENCY VENT)
J	2	2" NPT COUPLING (SPARE)
K	1	1/2" NPT FLANGE(LEAK DETECTOR SWITCH EQ-682)

NOTES:

1. TANK TO BE INSTALLED IN ACCORDANCE WITH AFFIXED LABELING, FDEP REQUIREMENTS, THE FLAMMABLE AND COMBUSTIBLE LIQUIDS CODE, NFPA 30 AND ANY OTHER PREVAILING CODE.
2. THIS SUBBASE TANK IS DESIGNED TO SUPPORT A DIESEL ENGINE GENERATOR AND ENCLOSURE.
3. TANK IS CAPABLE TO BE MONITORED TROUGH PHYSICAL MONITORING OR ALARM MONITORING.
4. FILE NO. **EQ-700**
5. LEAK DETECTION SWITCH WIRED TO CONTROL PANEL TERMINAL STRIP
6. HIGH/ LOW/ LEAK DETECTION SWITCHES CONNECTED VIA ELECTRICAL WIRES TO THE GENERATOR CONTROL PANEL
7. LOW FUEL LEVEL ALARM SWITCH SET @ 10% REMAININGWIRED TO CONTROL PANEL



5 GALLONS FDEP PACKAGE EQ-725(OPTIONAL) OR  
7 GALLONS FDEP PACKAGE EQ-345 (OPTIONAL)



INTERSTITIAL MONITOR EQ 682

Ø11/16" ANCHOR HOLES



UL 142 LISTED PRODUCT

ENGINEERED MANUFACTURING CORP.  
HIALEAH, FLORIDA

200 GLS 142 UL TANK

TANK WEIGHT  
1090 LBS

SIZE:	DATE: 10-12-15	DWG NO. 200 GAL UL 142 -COMM.	REV
SCALE:	CAD FILE: EMC PROJECTS/COMMERCIAL TANKS		

PART # 10EM 200 GAL UL

4

3

2