



DISK HARROW CATALOG



THE BRAND OF THE LAND



DISK HARROW

	Moldboard		5678 AARP	Two-Way Moldboard Plow	03	
Spacing 7 11/16"	Offset	Axle Size 1 1/4" Rd	3007 GNCR	Wheel Offset Disk Harrow	04	
			1000T GH	Mounted Tandem Disk Harrow	05	
	Tandem	Axle Size 1" Rd	1000T GH ²	Mounted Tandem Disk Harrow	06	
			Axle Size 1 1/2" Rd	5007T TDHR	Tandem Disk Harrow Rigid	07
Spacing 9"	Offset	Axle Size 1. 1/2" Rd	3009 GHD	Mounted Offset Disk Harrow	08	
			3009 GHD ²	Mounted Offset Disk Harrow	09	
			6009 ATCRL	Wheel Type Offset Disk Harrow - Light	10	
		Axle Size 1. 5/8" Rd	6009 ATCR	Wheel Offset Disk Harrow	11	
			7009 GCRO	Semi-Stubble Wheel Offset Disk Harrow	12	
	Tandem	Axle Size 1 1/2" Rd	1009T GH ²	Mounted Offset Disk Harrow	13	
			8009T OTDH	Orchard Tandem Disk Harrow	14	
			8009T OTDH - Plus	Orchard Tandem Disk Harrow	15	
	Double Offset	Axle Size 1. 1/2" Rd	7009T DODH-F	Double Offset Disk Harrow	16	
			Axle Size 1. 3/4" Rd	9009T DODH-F	Double Offset Disk Harrow	17
Spacing 10 5/8"	Offset	Axle Size 1. 5/8" Rd	6010 GAICL	Wheel Offset Disk Harrow	18	
			6010 GAICR	Wheel Offset Disk Harrow	19	
			6010 GAICR EHD	Wheel Offset Disk Harrow	20	
			7010 GOCW	Semi-Stubble Hinge Offset Disk Harrow	21	
			7010 GCRO	Semi-Stubble Wheel Offset Disk Harrow	22	
	Double Offset	Axle Size 2. 1/8" Rd	7010 GCRO	Semi-Stubble Hinge Offset Disk Harrow	22	
			10110T DODH-F	Double Offset Disk Harrow	23	
Spacing 12"	Offset	Axle Size 2. 1/8" Rd	7012 GCRO	Semi-Stubble Wheel Offset Disk Harrow	24	
Spacing 13 3/8"	Offset	Axle Size 2. 1/8" Rd	8013 GAPCR HD	Heavy Duty Wheel Offset Disk Harrow	25	
			Axle Size 2. 1/2" Rd	8013 GAPCW	Hinge Wheel Offset Disk Harrow	26
			8013 GAPM HD	Hinge Wheel Off set Disk Harrow	27	
Spacing 14 11/64"	Offset	Axle Size 2" Rd	8014 GAPCR	Wheel Offset Disk Harrow	28	
Spacing 17 3/8"	Offset	Axle Size 2 1/2" Rd	9017 GASPM HD	Heavy Duty Hinge Offset Disk Harrow	29	
			9017 GASPCW	Super Stubble Hinge Wheel Offset Disk Harrow	30	
			8917 GASPCR	Super Stubble Wheel Offset Disk Harrow	31	
			9017 GASPCR-HD	Heavy Duty Wheel Offset Disk Harrow	32	
Spacing 20"	Offset	Axle Size 2 1/2" Rd	10020 GASPM EHD	Extra Heavy Duty Hinge Offset Disk Harrow	33	
			10020 GASCR EHD	Extra Heavy Duty Wheel Offset Disk Harrow	34	

5678 AARP

Two-way Moldboard Plow



- Efficient operations under different soil conditions.
- Easy penetration and perfect incorporation into the soil profile.
- Moldboard plastic lining to reduce wearing.
- Plowshare with alloy steel for longer positive operation.
- Extra strength, high clearance and low draft requirements.

Model	Number of Bottoms	Working Width ft. in. (mm)	Clearance	Spacing	Approx. Net Weight lbs (Kg)	Tractor Draw Bar Horse Power*
5678 AARP	5	7' 10" (2,400)	37.3/8"	31.7/8" (810mm)	4,409 (2,335)	220 - 240
	6	9' 6" (2,880)			4,850 (2,530)	240 - 260
	7	11' (3,360)			5,269 (2,820)	260 - 280
	8	13' (3,840)			6,635 (3,010)	300 - 340

> Depth of Cut: up to 15.3/4" (400mm).

* Please note that the tractor draw bar horse power are suggested ranges and vary according to soil conditions.

3007 GNCR

Wheel Type Offset Disk Harrow



- Axle size 1.1/4" rd.
- Equipped with oil bath bearing.

Model	Number of Disc Blades	Working Width ft. in. (mm)	Disc Blades		Weight per Disc lbs (Kg)	Approx. Net Weight lbs (Kg)	Tractor Draw Bar Horse Power*	
			Dimensions	Spacing				
3007 GNCR	28	8' 4" (2,530)	20"x3.5mm	7.11/16" (195mm)	107 (48)	2,996 (1,359)*	80 - 85	
	32	9' 5" (2,920)			100 (45)	3,231 (1,466)*	85 - 90	
	36	10' 8" (3,310)			or	94 (43)	3,414 (1,549)*	97 - 105
	40	12' 13" (3,700)			22"x4.5mm	91 (41)	3,639 (1,651)*	105 - 115
	44	13' 4" (4,090)	20"x4.5mm		93 (48)	4,098 (1,859)*	120 - 130	
	48	14' 6" (4,480)			88 (52)	4,254 (1,930)*	130 - 140	
	52	14' 7" (4,870)	20"x4.5mm or 22"x4.5mm		90 (59)	4,682 (2,124)**	140 - 150	
	56	17' 3" (5,260)			118 (53)	6,624 (3,005)**	170 - 180	
	60	18' 5" (5,650)			115 (52)	6,911 (3,135)**	180 - 190	
	64	19' 8" (6,040)			110 (50)	7,096 (3,219)**	200 - 220	

* Please note that the tractor draw bar horse power are suggested ranges and vary according to soil conditions.

1000T GH

Mounted Tandem Disk Harrow



- Axle size 1" sq.
- Equipped with friction bearing and cast iron spacer spools.

Model	Number of Disc Blades	Working Width ft. in. (mm)	Disc Blades		Weight per Disc lbs (Kg)	Approx. Net Weight lbs (Kg)	Tractor Draw Bar Horse Power*
			Dimensions	Spacing			
1000T GH	16	4' 11" (1,500)	18" x 3.0 mm 20" x 3.5 mm or 22" x 4.5 mm	7.11/16"	39 (17)	630 (286)	44 - 50
	20	6' 2" (1,870)			44 (20)	897 (407)	50 - 55
	24	7' 5" (2,250)			40 (18)	976 (443)	60 - 70
	28	8' 7" (2,620)			40 (18)	1,144 (519)	75 - 80
	32	9' 10" (3,000)			44 (20)	1,413 (641)	85 - 90
	36	10' 11" (3,338)			44 (20)	1,607 (729)	95 - 100

* Please note that the tractor draw bar horse power are suggested ranges and vary according to soil conditions.

1000T GH²

Mounted Tandem Disk Harrow



- Axle size 1" sq.
- Equipped with oil bath bearing.

Model	Number of Disc Blades	Working Width ft. in.	Disc Blades		Weight per Disc lbs	Approx. Net Weight lbs	Tractor Draw Bar Horse Power*
			Dimensions	Spacing			
1000T GH²	24	8' 6"	18" x 3.0mm or 20" x 3.5 mm	7.11/16"	53	1,274	60 - 70
	28	9' 9"			52	1,448	75 - 80
	32	10' 11"			48	1,556	85 - 90

* Please note that the tractor draw bar horse power are suggested ranges and vary according to soil conditions.

5007T TDHR

Tandem Disk Harrow Rigid



- Axle size 1.1/2" rd.
- Equipped with oil bath bearing.

Model	Number of Disc Blades	Working Width ft. in. (mm)	Disc Blades		Weight per Disc lbs (Kg)	Approx. Net Weight lbs (Kg)	Tractor Draw Bar Horse Power*
			Dimensions	Spacing			
5007T TDHR	52	18' 6" (5,640)	24' x 4.5mm	7.11/16"	122 (55)	6,371 (2,890)	140 - 160
	68	23' 10" (7,264)			114 (52)	7,778 (3,528)	180 - 200

* Please note that the tractor draw bar horse power are suggested ranges and vary according to soil conditions.

3009 GHD

Mounted Offset Disk Harrow



- Axle size 1.1/2" rd.
- Equipped with oil bath bearing.



Model	Number of Disc Blades	Working Width ft. in. 8	Disc Blades		Weight per Disc lbs	Approx. Net Weight lbs	Tractor Draw Bar Horse Power*
			Dimensions	Spacing			
3009 GHD	16	5' 8"	Ø 20" x 4.5 mm Ø 22" x 4.5mm or Ø 24" x 4.75 mm	9"	81	1,292	60
	18	6' 4"			78	1,398	65
	20	7' 1"			76	1,512	70

* Please note that the tractor draw bar horse power are suggested ranges and vary according to soil conditions.

3009 GHD²

Mounted Offset Disk Harrow



- Axle size 1.1/2" rd.
- Equipped with oil bath bearing.



Model	Number of Disc Blades	Working Width ft. in.	Disc Blades		Weight per Disc lbs	Approx. Net Weight lbs	Tractor Draw Bar Horse Power*
			Dimensions	Spacing			
3009 GHD²	18	6' 9"	Ø 20" x 4.5 mm Ø 22" x 4.5mm or Ø 24" x 4.75 mm	9"	72	1,290	65
	20	7' 5"			70	1,398	70
	22	8' 1"			105	2,315	75
	24	9' 0"			104	2,509	90

* Please note that the tractor draw bar horse power are suggested ranges and vary according to soil conditions.

6009 ATCRL

Wheel Type Offset Disk Harrow - Light



- Axle size 1.1/2" rd.
- Equipped with oil bath bearing.

Model	Number of Disc Blades	Working Width ft. in. (mm)	Disc Blades		Weight per Disc lbs (Kg)	Approx. Net Weight lbs (Kg)	Tractor Draw Bar Horse Power*
			Dimensions	Spacing			
6009 ATCRL	14	4' 11" (1,500)	24"x4.75mm, or 26"x4.75mm	9" 230mm	173 (78)	2,425 (1,100)	50 - 55
	16	5' 8" (1,730)			161 (73)	2,588 (1,174)	55 - 60
	18	6' 5" (1,960)			163 (74)	2,949 (1,338)	60 - 70
	20	7' 2" (2,190)			157 (71)	3,152 (1,430)	70 - 80
	22	7' 11" (2,420)			147 (67)	3,245 (1,472)	75 - 85
	24	8' 8" (2,650)			143 (65)	3,439 (1,560)	80 - 90
	28	10' 2" (3,110)			135 (61)	3,783 (1,716)	90 - 100
	32	11' 0" (3,570)			124 (56)	3,968 (1,800)	100 - 110
	36	13' 4" (4,030)			121 (55)	4,343 (1,970)	110 - 120

* Please note that the tractor draw bar horse power are suggested ranges and vary according to soil conditions.

6009 ATCR

Wheel Type Offset Disk Harrow



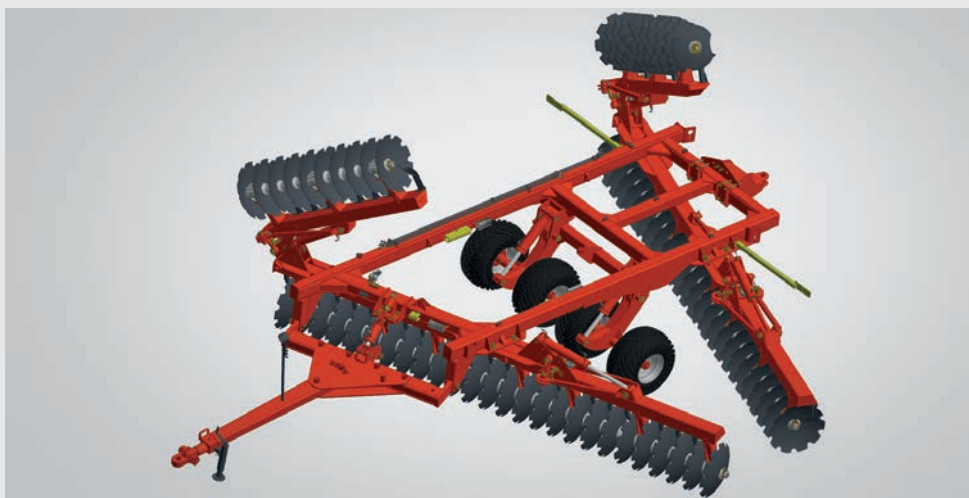
- Axle size 1.5/8" rd.
- Equipped with oil bath bearing.

Model	Number of Disc Blades	Working Width ft. in. (mm)	Disc Blades		Weight per Disc lbs (Kg)	Approx. Net Weight lbs (Kg)	Tractor Draw Bar Horse Power*
			Dimensions	Spacing			
6009 ATCR	12	4' 2" (1,270)	24"x6.0mm, 26"x6.0mm, 28"x6.0mm or 28"x7.5mm	9" (230mm)	260 (118)	3,126 (1,418)	70 - 75
	14	4' 11" (1,500)			241 (109)	3,375 (1,531)	75 - 80
	16	5' 8" (1,730)			225 (102)	3,600 (1,633)	80 - 90
	18	6' 5" (1,960)			235 (107)	4,243 (1,925)	95 - 100
	20	7' 2" (2,190)			223 (101)	4,473 (2,029)	105 - 120
	22	7' 11" (2,420)			215 (98)	4,742 (2,151)	125 - 140
	24	8' 8" (2,650)			212 (96)	5,090 (2,309)	140 - 160
	26	9' 5" (2,880)			204 (93)	5,317 (2,412)	160 - 170
	28	10' 2" (3,110)			197 (89)	5,522 (2,505)	170 - 180
	32	11' 8" (3,570)			261 (118)	8,373 (3,798)	180 - 190
	36	13' 2" (4,030)			239 (108)	8,624 (3,912)	200 - 220
	40	14' 8" (4,490)			223 (101)	8,913 (4,043)	230 - 240
	44	16' 2" (4,950)			212 (96)	9,332 (4,233)	240 - 260

* Please note that the tractor draw bar horse power are suggested ranges and vary according to soil conditions.

7009 GCRO

Semi-Stubble Wheel Offset Disk Harrow



- Axle size: 1.5/8" rd.
- Transport width – 52, 56 and 60 disc blades: 15' 4".
- Equipped with swivel oil bath bearing.

Model	Number of Disc Blades	Working Width ft. in.	Disc Blades		Weight per Disc lbs	Approx. Net Weight lbs	Tractor Draw Bar Horse Power*		
			Dimensions	Spacing					
7009 GCRO Non Folding	32	11' 10"	Ø 26" x 6.0 mm Ø 28" x 6.0mm or Ø 28" x 7.5 mm	9	329	10,557	180 - 200		
	36	13' 3"			311	11,196	200 - 220		
	40	14' 8"			291	11,648	220 - 240		
	44	16' 1"			277	12,199	240 - 260		
	48	17' 6"			270	12,970	260 - 280		
7009 GCRO Folding Wings	52	18' 10"					259	13,499	280 - 300
	56	20' 4"					316	17,742	300 - 320
	60	21' 9"					303	18,205	320 - 340
	64	23' 3"					291	18,667	340 - 360
	68	24' 9"					285	19,417	360 - 380
	72	26' 2"			275	19,869	400 - 420		

* Please note that the tractor draw bar horse power are suggested ranges and vary according to soil conditions.

1009T GH2

Mounted Tandem Disk Harrow



- Axle size: 1" rd.
- Equipped with oil bath bearing.

Model	Number of Disc Blades	Working Width ft. in. (mm)	Disc Blades		Weight per Disc lbs (Kg)	Approx. Net Weight lbs (Kg)	Tractor Draw Bar Horse Power*
			Dimensions	Spacing			
1009T GH²	16	6' 3" (1,908)	18"x3.0mm, or 20"x3.5mm	9"	104 (47)	1,677 (761)	70 - 80
	18	7' 7" (2,315)			98 (44)	1,763 (800)	80 - 90
	20	7' 7" (2,315)			92 (42)	1,851 (540)	100 - 110
	22	9' 0" (2,743)			88 (40)	1,940 (880)	110 - 120

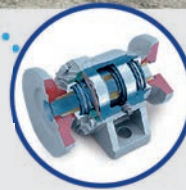
* Please note that the tractor draw bar horse power are suggested ranges and vary according to soil conditions.

8009T OTDH

Orchard Tandem Disk Harrow



- Axles size 1.1/2".
- Equipped with oil bath bearing.



Model	Number of Disc Blades	Working Width ft. (mm)	Disc Blades		Weight per Disc lbs (Kg)	Approx. Net Weight lbs (Kg)	Tractor Draw Bar Horse Power*
			Dimensions	Spacing			
8009T OTDH	28	11.0 (3,358)	24"x4.75mm	9" (230 mm)	168 (76)	4,711 (2,137)	65 - 70
	32	12.5 (3,785)			151 (70)	4,854 (2,202)	75 - 85
	36	14.0 (4,267)			147 (67)	5,324 (2,415)	85 - 95
8009T OTDH with furrow filler	30	12.3 (3,770)			160 (72)	4,819 (2,186)	70 - 80
	34	13.7 (4,197)			146 (66)	4,964 (2,252)	80 - 90
	38	15.3 (4,679)			143 (64)	5,434 (2,465)	90 - 105

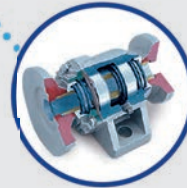
* Please note that the tractor draw bar horse power are suggested ranges and vary according to soil conditions.

8009T OTDH PLUS

Orchard Tandem Disk Harrow



- Axle size: 1.1/2" rd.
- Equipped with oil bath bearing.



Model	Number of Disc Blades	Working Width ft. (mm)	Disc Blades		Weight per Disc lbs (Kg)	Approx. Net Weight lbs (Kg)	Tractor Draw Bar Horse Power*
			Dimensions	Spacing			
8009T OTDH PLUS	28	11.0 (3,358)	24"x4.75mm	9" (230 mm)	168 (76)	4,711 (2,137)	65 - 70
	32	12.5 (3,785)			151 (70)	4,854 (2,202)	75 - 85
	36	14.0 (4,267)			147 (67)	5,324 (2,415)	85 - 95
8009T OTDH PLUS with furrow filler	30	12.3 (3,770)			160 (72)	4,819 (2,186)	70 - 80
	34	13.7 (4,197)			146 (66)	4,964 (2,252)	80 - 90
	38	15.3 (4,679)			143 (64)	5,434 (2,465)	90 - 105

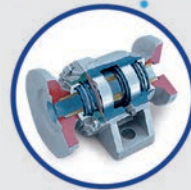
* Please note that the tractor draw bar horse power are suggested ranges and vary according to soil conditions.

7009T DODH-F

Double Offset Disc Harrow



- Axle size: 1.1/2" rd.
- Transport width 14'.
- Equipped with oil bath bearing.



Model	Number of Disc Blades	Working Width Model ft. in. (mm)	Disc Blades		Weight per Disc lbs	Approx. Net Weight lbs	Tractor Draw Bar Horse Power*
			Dimensions	Spacing			
7009T DODH-F	72	26'8"	Ø 22" x 4.75 mm Ø 24" x 6.0mm or Ø 26" x 6.0 mm	9"	12'7"	11,782	240 - 260

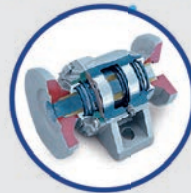
* Please note that the tractor draw bar horse power are suggested ranges and vary according to soil conditions.

9009T DODH-F

Double Offset Disc Harrow



- Axle size: 1.3/4" rd.
- Transport width: 17' 9".
- Equipped with swivel oil bath bearing.



Model	Number of Disc Blades	Working Width Model ft. in.	Disc Blades		Weight per Disc lbs	Approx. Net Weight lbs	Tractor Draw Bar Horse Power
			Dimensions	Spacing			
9009T DODH-F	80	30' 18"	Ø 24" x 6.0 mm or Ø 26" x 6.0 mm	9	193	15,465	260 - 320
	88	32' 6"			220	19,383	260 - 280
	96	35' 5"			203	19,566	280 - 320
	104	38' 3"			189	19,720	320 - 360

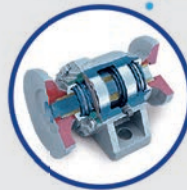
* Please note that the tractor draw bar horse power are suggested ranges and vary according to soil conditions.

6010 GAICRL

Wheel Offset Disk Harrow



- Axle size: 1.5/8" rd.
- Equipped with oil bath bearing.



Model	Number of Disc Blades	Working Width ft. in. (mm)	Disc Blades		Weight per Disc lbs (Kg)	Approx. Net Weight lbs (Kg)	Tractor Draw Bar Horse Power*
			Dimensions	Spacing			
6010 GAICRL	16	6' 7" (2,000)	Ø 24" x 6.0 mm	10.1/2"	204 (92)	3,271 (1,484)	65 - 70
	18	7' 7" (2,300)			195 (88)	3,511 (1,593)	70 - 75
	20	8' 5" (2,578)			188 (85)	3,765 (1,708)	75 - 80
	22	9' 4" (2,840)			178 (81)	3,926 (1,781)	80 - 85
	24	10' 2" (3,109)			166 (76)	4,003 (1,816)	90 - 100

* Please note that the tractor draw bar horse power are suggested ranges and vary according to soil conditions.

6010 GAICR

Wheel Offset Disk Harrow



- Axle size: 1.5/8" rd.
- Equipped with oil bath bearing.

Model	Number of Disc Blades	Working Width ft. in. (mm)	Disc Blades		Weight per Disc lbs (Kg)	Approx. Net Weight lbs (Kg)	Tractor Draw Bar Horse Power*
			Dimensions	Spacing			
6010 GAICR	12	5' 3" (1,600)	26" x 6.0 mm, 28" x 6.0 mm or Ø 28" x 7.5 mm	10.5/8"	292 (132)	3,505 (1,590)	70 - 80
	14	5' 9" (1,750)			254 (115)	3,565 (1,617)	80 - 90
	16	6' 7" (2,000)			266 (121)	4,268 (1,936)	95 - 105
	18	7' 7" (2,300)			253 (114)	4,548 (2,063)	110 - 120
	20	8' 5" (2,570)			248 (112)	4,954 (2,247)	120 - 140
	22	9' 4" (2,840)			238 (107)	5,232 (2,373)	140 - 150
	24	10' 2" (3,110)			233 (105)	5,602 (2,541)	150 - 160
	26	11' 0" (3,380)			218 (99)	5,672 (2,573)	165 - 170
	28	11' 12" (3,650)			214 (97)	5,986 (2,715)	170 - 180
	30	12' 8" (3,920)			218 (99)	6,554 (2,973)	190 - 200
	32	13' 9" (4,180)			260 (118)	8,305 (3,767)	210 - 220
	36	15' 6" (4,720)			248 (112)	8,931 (4,051)	230 - 250
	40	17' 3" (5,250)			242 (110)	9,674 (4,388)	250 - 280
	44	17' 10" (5,440)			261 (118)	11,488 (5,211)	270 - 290
48	20' 5" (6,230)	250 (113)	12,017 (5,451)	290 - 320			

* Please note that the tractor draw bar horse power are suggested ranges and vary according to soil conditions.

6010 GAICR EHD

Wheel Offset Disk Harrow



- Axle size: 2.1/8" rd.
- Equipped with oil bath baring.



Model	Number of Disc Blades	Working Width ft. in. (mm)	Disc Blades		Weight per Disc lbs (Kg)	Approx. Net Weight lbs (Kg)	Tractor Draw Bar Horse Power*
			Dimensions	Spacing			
6010 GAICR EHD	19	7' 11" (2,438)	Ø 26" x 6.0 mm Ø 26" x 7.5 mm or Ø 28" x 7.5 mm	10.5/8"	286 (129)	5,441 (2,468)	110 - 120
	23	10' (3,048)			277 (125)	6,369 (2,889)	140 - 150
	27	12' (3,658)			259 (117)	7,000 (3,175)	150 - 160
	31	13' 11 (4,267)			240 (109)	7,452 (3,380)	170 - 180

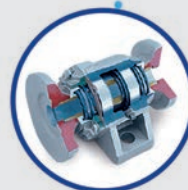
* Please note that the tractor draw bar horse power are suggested ranges and vary according to soil conditions.

7010 GOCW

Semi-Stubble Hinge Wheel Offset Disk Harrow



- Axle size: 1.5/8" rd.
- Equipped with oil bath bearing.



Model	Number of Disc Blades	Working Width ft. in. (mm)	Disc Blades		Weight per Disc lbs (Kg)	Approx. Net Weight lbs (Kg)	Tractor Draw Bar Horse Power*
			Dimensions	Spacing			
7010 GOCW	48	22' 1" (6,220)	Ø 26" x 6.0 mm Ø 28" x 7.5 mm or	10.5/8"	299 (135)	14,374 (6,520)	260 - 280
	56	23' 9" (7,240)	Ø 30" x 7.5 mm		264 (123)	15,278 (6,930)	300 - 320

* Please note that the tractor draw bar horse power are suggested ranges and vary according to soil conditions.

7010 GCRO

Semi-Stubble Wheel Offset Disk Harrow



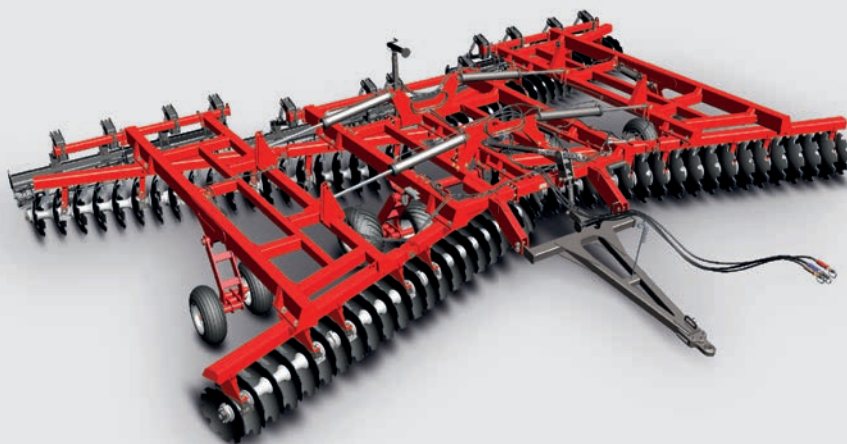
- Axle size: 1.5/8" Rd or 2.1/8" rd.
- Transport width – 52, 56 and 60 disc blades: 15' 4".
- Equipped with swivel oil bath bearing.

Model	Number of Disc Blades	Working Width ft. in. (mm)	Disc Blades		Weight per Disc lbs (Kg)	Approx. Net Weight lbs (Kg)	Tractor Draw Bar Horse Power*
			Dimensions	Spacing			
7010 GCRO Non Folding	28	12' 1" (3,680)	Ø 26" x 6. mm or Ø 28" x 7.5 mm or Ø 30" x 7.5 mm	10.5/8"	388 (176)	10,868 (4,930)	180 - 200
	32	13' 9" (4,190)			360 (163)	11,530 (5,230)	200 - 220
	36	15' 5" (4,700)			337 (153)	12,156 (5,514)	220 - 240
	40	17' 1" (5,205)			314 (142)	15,575 (5,704)	240 - 260
	44	18' 9" (5,715)			304 (138)	13,384 (6,071)	260 - 280
	48	20' 5" (6,220)			288 (130)	13,829 (6,273)	280 - 300
7010 GCRO Folding Wings	52	22' 1" (6,730)			310 (141)	16,153 (7,327)	300 - 320
	56	23' 9" (7,240)			298 (135)	16,695 (7,573)	320 - 330
	60	25' 9" (7,772)			286 (130)	17,193 (7,799)	330 - 350
7010 GCRO Folding Wing Frame	72	31' 3" (9,540)			423 (192)	30,450 (13,812)	370 - 390
	76	33' (10,065)			402 (183)	30,617 (13,888)	390 - 410
	80	34' 3" (10,445)			390 (177)	31,215 (14,159)	410 - 430

* Please note that the tractor draw bar horse power are suggested ranges and vary according to soil conditions.

10110T DODH-F

Double Offset Disk Harrow



- Axle size: 2.1/8" rd.
- Equipped with swivel oil bath bearing.

Model	Number of Disc Blades	Working Width ft. in. (mm)	Disc Blades		Weight per Disc lbs (Kg)	Approx. Net Weight lbs (Kg)	Tractor Draw Bar Horse Power*
			Dimensions	Spacing			
10110T DODH-F	84	37' 4" (11,400)	Ø 26" x 7.5 mm or Ø 28" x 7.5 mm	10.5/8"	370 (168)	31,151 (14,130)	380 - 460

* Please note that the tractor draw bar horse power are suggested ranges and vary according to soil conditions.

7012 GCRO

Semi Stubble Offset Wheel Disk Harrow



- Transport with - 50 à 56 discs blades: 16 ft 8 in.
- Axle size: 2.1/8" Rd (53.97Mm).
- Equipped with swivel oil bath bearing.

Model	Number of Disc Blades	Working Width ft. in. (mm)	Disc Blades		Weight per Disc lbs (Kg)	Approx. Net Weight lbs (Kg)	Tractor Draw Bar Horse Power*
			Dimensions	Spacing			
7012 GCRO Non Folding	28	12' 10" (3,920)	30"x7.5mm	11.13/16"	433 (196)	12,129 (5,502)	200 - 210
	32	14' 8" (4,475)	and		393 (178)	12,590 (5,711)	220 - 240
	36	16' 6" (5,030)	32"x7.5mm	(300mm)	390 (177)	14,054 (6,375)	260 - 280
	40	18' 4" (5,590)			397 (180)	15,904 (7,214)	300 - 320
7012 GCRO Folding Wings	50	23' 3" (7,080)		11.13/16"	422 (192)	21,142 (9,590)	390 - 410
	52	24' 2" (7,380)	30"x7.5mm		420 (190)	21,869 (9,920)	420 - 430
	54	25' 0" (7,620)	and	(300mm)	406 (184)	21,936 (9,950)	440 - 460
	56	26' 0" (7,940)	32"x7.5mm		403 (183)	22,575 (10,240)	470 - 500

* Please note that the tractor draw bar horse power are suggested ranges and vary according to soil conditions.

8013 GAPCR HD

Heavy Duty Wheel Offset Disk Harrow



- Axle size 2.1/2" rd.
- Equipped with oil bath bearing.

Model	Number of Disc Blades	Working Width ft. in. (mm)	Disc Blades		Weight per Disc lbs (Kg)	Approx. Net Weight lbs (Kg)	Tractor Draw Bar Horse Power*
			Dimensions	Spacing			
8013 GAPCR HD	25	12' 8" (3,865)	32"x9mm, 34"x9mm, or 36"x9mm	13.3/8" (340mm)	503 (228)	12,566 (5,700)	250 - 280
	29	14' 11" (4,545)			503 (228)	14,572 (6,610)	280 - 310
	31	16' 0" (4,885)			502 (227)	15,542 (7,050)	310 - 330
	33	17' 2" (5,225)			503 (228)	16,578 (7,520)	330 - 340
	35	18' 3" (5,565)			503 (228)	17,593 (7,980)	340 - 360
	37	19' 4" (5,905)			502 (227)	18,585 (8,430)	380 - 400
	39	20' 4" (6,245)			677 (307)	26,425 (11,990)	420 - 440
	41	21' 6" (6,585)			661 (300)	27,098 (12,295)	460 - 480
	45	23' 6" (7,210)			630 (286)	28,380 (12,877)	510 - 560
8013 GAPCR HD FOLDING	45	23' 6" (7,210)			630 (286)	28,380 (12,877)	510 - 560

* Please note that the tractor draw bar horse power are suggested ranges and vary according to soil conditions.

8013 GAPCW

Hinge Wheel Offset Disk Harrow



- Axle size: 2.1/2" rd.
- Equipped with oil bath bearing.



Model	Number of Disc Blades	Working Width ft. in. (mm)	Disc Blades		Weight per Disc lbs (Kg)	Approx. Net Weight lbs (Kg)	Tractor Draw Bar Horse Power*
			Dimensions	Spacing			
8013 GAPCW	31	16' 0" (4,885)	Ø 32" x 9,0 mm Ø 34" x 9,0 mm or Ø 36" x 9,0 mm	13.3/8"	527 (239)	16,343 (7,413)	340 - 360
	35	18' 3" (5,565)			524 (238)	18,360 (8,328)	380 - 400
	39	20' 5" (6,245)			496 (225)	19,330 (8,768)	400 - 440
	41	21' 7" (6,585)			473 (215)	19,409 (8,804)	440 - 460
	45	23' 9" (7,265)			464 (210)	20,882 (9,472)	460 - 480

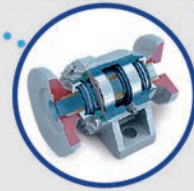
* Please note that the tractor draw bar horse power are suggested ranges and vary according to soil conditions.

8013 GAPM HD

Hinge Wheel Offset Disk Harrow



- Axle size: 2.1/2" rd.
- Equipped with oil bath bearing.



Model	Number of Disc Blades	Working Width ft. in.	Disc Blades		Weight per Disc lbs	Approx. Net Weight lbs	Tractor Draw Bar Horse Power*
			Dimensions	Spacing			
8013 GAPM HD	16	8' 3"	Ø 32" x 9.0 mm Ø 32" x 12.0 mm or	13.3/8"	598	9,572	200 - 220
	24	12' 10"	Ø 34" x 9.0 mm		496	11,913	260 - 280

* Please note that the tractor draw bar horse power are suggested ranges and vary according to soil conditions.

8014 GAPCR

Wheel Offset Disk Harrow



- Axle size: 2" rd.
- Equipped with oil bath bearing.

Model	Number of Disc Blades	Working Width ft. in. (mm)	Disc Blades		Weight per Disc lbs (Kg)	Approx. Net Weight lbs (Kg)	Tractor Draw Bar Horse Power*
			Dimensions	Spacing			
8014 GAPCR	12	6' 5" (1,980)	Ø 30" x 7.5 mm Ø 32" x 9.0 mm or Ø 34" x 9.0 mm	14"	523 (237)	6,278 (2,848)	130 - 150
	14	7' 8" (2,340)			523 (237)	7,325 (3,323)	150 - 170
	16	8' 10" (2,700)			531 (240)	8,496 (3,854)	170 - 190
	18	10' 0" (3,060)			489 (222)	8,807 (3,995)	190 - 210
	20	11' 2" (3,420)			520 (235)	10,399 (4,717)	230 - 250
	22	12' 4" (3,780)			493 (223)	10,855 (4,924)	250 - 270
	24	13' 6" (4,140)			478 (217)	11,486 (5,210)	270 - 290

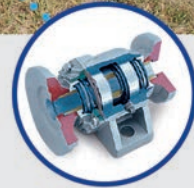
* Please note that the tractor draw bar horse power are suggested ranges and vary according to soil conditions.

9017 GASPM HD

Heavy Duty Hinge Offset Disk Harrow



- Axle size: 2.1/2" rd.
- Equipped with oil bath bearing.



Model	Number of Disc Blades	Working Width ft. in.	Disc Blades		Weight per Disc lbs	Approx. Net Weight lbs	Tractor Draw Bar Horse Power*
			Dimensions	Spacing			
9017 GASPM HD	10	5' 10"	32"x12mm,	17.5/16"	673	6,733	130 - 140
	12	7' 3"	34"x12mm,		625	7,500	145 - 155
	16	10' 2"	36"x12mm,		660	10,553	205 - 220
	18	11' 7"	38"x12mm or		650	11,703	230 - 250
	20	13' 1"	40"x12mm		660	13,198	260 - 280

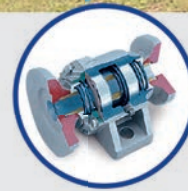
* Please note that the tractor draw bar horse power are suggested ranges and vary according to soil conditions.

9017 GASPCW

Super Stubble Hinge Wheel Offset Disk Harrow



- Axle size: 2.1/2" rd.
- Equipped with oil bath bearing.



Model	Number of Disc Blades	Working Width ft. in. (mm)	Disc Blades		Weight per Disc lbs (Kg)	Approx. Net Weight lbs (Kg)	Tractor Draw Bar Horse Power*
			Dimensions	Spacing			
9017 GASPCW	23	14' 1" (4,610)	Ø 34"x 9,0 mm or Ø 36"x 12,0 mm	17.5/16"	732 (332)	16,854 (7,645)	290 - 300
	25	16' 7" (5,050)			719 (326)	17,983 (8,157)	310 - 320
	29	19' 5" (5,930)			694 (315)	20,139 (9,135)	380 - 400

* Please note that the tractor draw bar horse power are suggested ranges and vary according to soil conditions.

8917 GASPCR

Super Stubble Wheel Offset Disk Harrow



- Axle size: 2.1/2" rd.
- Equipped with oil bath bearing.



Model	Number of Disc Blades	Working Width ft. in. (mm)	Disc Blades		Weight per Disc lbs (Kg)	Approx. Net Weight lbs (Kg)	Tractor Draw Bar Horse Power*
			Dimensions	Spacing			
8917 GASPCR	10	5'10" (1,770)	32"x 9.0 mm 32"x 12.0 mm 34"x 9.0 mm 34"x 12.0 mm 36"x 9.0 mm or 36"x 12.0 mm	17.3/8" (400 mm)	692 (314)	6,926 (3,142)	150 - 170
	12	7'3" (2,210)			549 (362)	6,592 (4,351)	180 - 200
	14	8'8" (2,650)			720 (326)	10,083 (4,574)	220 - 230
	16	10'2" (3,100)			725 (329)	11,613 (5,268)	240 - 260
	18	11'7" (3,520)			700 (317)	12,610 (5,720)	260 - 270
	20	13'2" (4,000)			651 (295)	13,024 (5,908)	270 - 280
	22	14'7" (4,440)			630 (285)	13,860 (6,287)	290 - 300

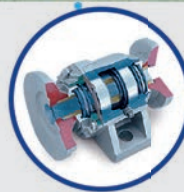
* Please note that the tractor draw bar horse power are suggested ranges and vary according to soil conditions.

9017 GASPCR HD

Heavy Duty Wheel Offset Disk Harrow



- Axle size: 2.1/2" rd.
- Equipped with oil bath bearing.



Model	Number of Disc Blades	Working Width ft. in. (mm)	Disc Blades		Weight per Disc lbs (Kg)	Approx. Net Weight lbs (Kg)	Tractor Draw Bar Horse Power*
			Dimensions	Spacing			
9017 GASPCR HD	12	8' 3" (2,526)	Ø 36" x 12.0 mm or Ø 40" x 12.0 mm	17.5/16"	947 (430)	11,375 (5,160)	250 - 270
	14	9' 7" (2,942)			898 (407)	12,577 (5,705)	270 - 290
	16	10' 11" (3,344)			860 (390)	13,767 (6,245)	290 - 310
	18	12' 11" (3,795)			1,001 (454)	18,033 (8,180)	310 - 330
	20	13' 9" (4,207)			939 (426)	18,794 (8,525)	330 - 350
	22	15' 1" (4,621)			889 (403)	19,566 (8,875)	330 - 350
	24	16' 3" (4,970)			849 (385)	20,381 (9,245)	360 - 380
	26	17' 7" (5,384)			813 (368)	21,142 (9,590)	380 - 400
	28	19' 0" (5,798)			781 (354)	21,869 (9,920)	390 - 420
	30	20' 4" (6,203)			784 (356)	23,545 (10,680)	420 - 440
	32	21' 8" (6,626)			812 (368)	25,992 (11,790)	480 - 500
	34	23' 0" (7,037)			786 (356)	26,753 (12,135)	490 - 510
	36	24' 4" (7,431)			764 (346)	27,513 (12,480)	520 - 560

* Please note that the tractor draw bar horse power are suggested ranges and vary according to soil conditions.

10020 GASPM EHD

Extra Heavy Duty Hinge Offset Disk Harrow



- Axle size: 2.1/2" rd.
- Equipped with oil bath bearing.



Model	Number of Disc Blades	Working Width ft. in. (mm)	Disc Blades		Weight per Disc lbs (Kg)	Approx. Net Weight lbs (Kg)	Tractor Draw Bar Horse Power*
			Dimensions	Spacing			
10020 GASPM EHD	10	8' 0" (2,400)	Ø 36" x 12.0 mm Ø 38" x 12.0 mm or Ø 40" x 12.0 mm	20"	791 (359)	7,915 (3,590)	180 - 200
	12	9' 6" (2,900)			791 (359)	9,498 (4,308)	200 - 220
	16	12' 5" (3,800)			818 (371)	13,087 (5,936)	260 - 280
	20	14' 8" (4,500)			688 (312)	13,768 (6,245)	300 - 320

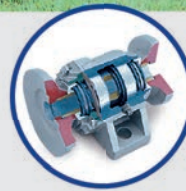
* Please note that the tractor draw bar horse power are suggested ranges and vary according to soil conditions.

10020 GASPCR EHD

Extra Heavy Duty Wheel Offset Disk Harrow



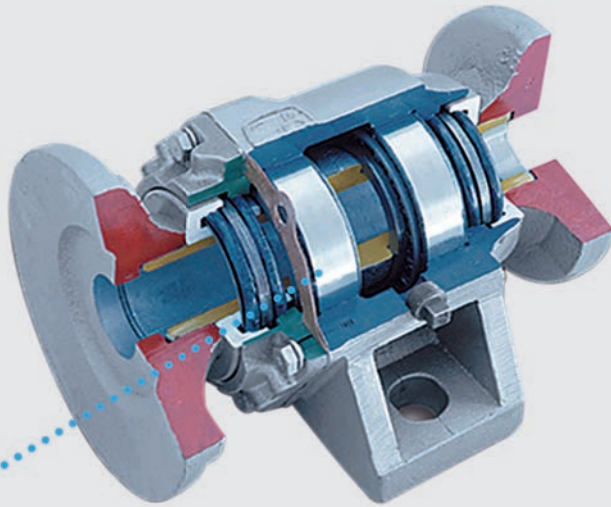
- Axle size: 2.1/2" rd.
- Equipped with oil bath bearing.



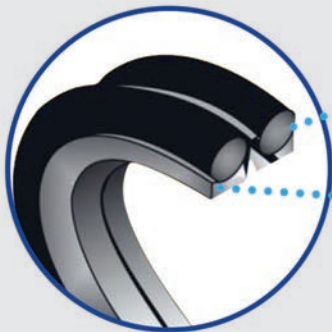
Model	Number of Disc Blades	Working Width ft. in. (mm)	Disc Blades		Weight per Disc lbs (Kg)	Approx. Net Weight lbs (Kg)	Tractor Draw Bar Horse Power*
			Dimensions	Spacing			
10020 GASPCR EHD	12	9' 0" (2,750)	Ø 36" x 12.0 mm Ø 38" x 12.0 mm or Ø 40" x 12.0 mm	20"	1,141 (518)	13,701 (6,215)	270 - 290
	14	10' 6" (3,222)			1,091 (495)	15,278 (6,930)	290 - 310
	16	12' 6" (3,815)			1,124 (510)	17,990 (8,160)	330 - 350
	18	14' 5" (4,280)			1,046 (475)	18,838 (8,545)	360 - 380
	20	15' 7" (4,750)			984 (446)	19,687 (8,930)	380 - 400
	22	17' 9" (5,420)			1,081 (490)	23,788 (10,790)	420 - 440
	24	18' 8" (5,704)			1,038 (470)	24,912 (11,300)	460 - 480
	26	20' 3" (6,178)			1,025 (465)	26,654 (12,090)	500 - 540

* Please note that the tractor draw bar horse power are suggested ranges and vary according to soil conditions.

RUGGEDLY BUILT FOR LONGER LIFE



DUAL TAPERED
ROLLER BEARINGS



O' RING
(DOUBLE SEALING)

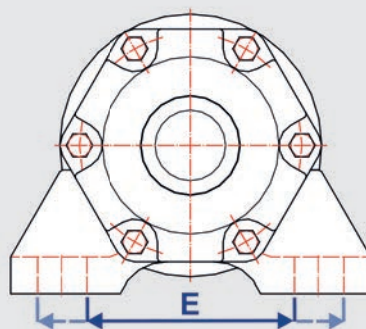
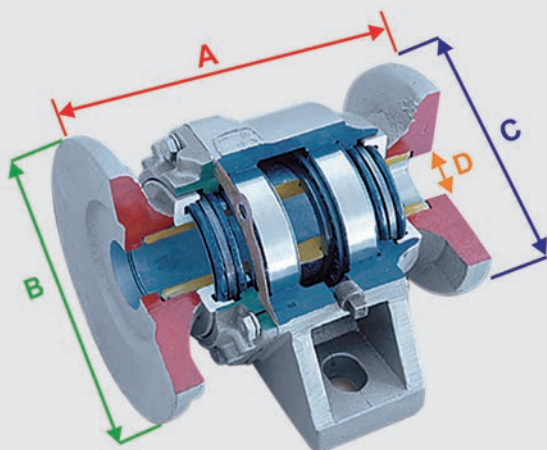
+

METALLIC RING
WITH STONE TRACKS

=

**DUO-CONE
SEALS**

RUGGEDLY BUILT FOR LONGER LIFE



USE THE TATU OIL BATH BEARINGS



FOR LONGER LIFE OF YOUR HARROW

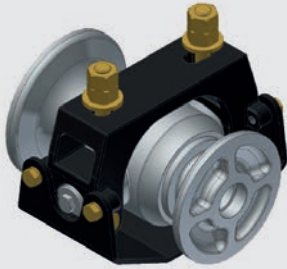
CHART OF DIMENSIONS

	A	B	C	D	E
DM 182	182	122	112	1.1/4" and 1.1/2"	87 - 137
DM 182	182	122	112	Ø 1"	87 - 137
DM 192	192	130	122	1.1/4" and 1.1/2"	87 - 137
DM 192	192	130	122	Ø 1"	87 - 137
DM 225	225	140	130	1.1/4" and 1.1/2"	87 - 137
DM 225	225	180	160	1.5/8" and 1.3/4"	118 - 178
DM 243	243	180	160	1.5/8" and 1.3/4"	118 - 178
DM 262	262	180	160	1.5/8" and 1.3/4"	118 - 178
DM 330	330	230	200	2.1/8"	155 - 225
DM 430	430	230	230	2.1/2"	232 - 332

*Other configurations available upon request.

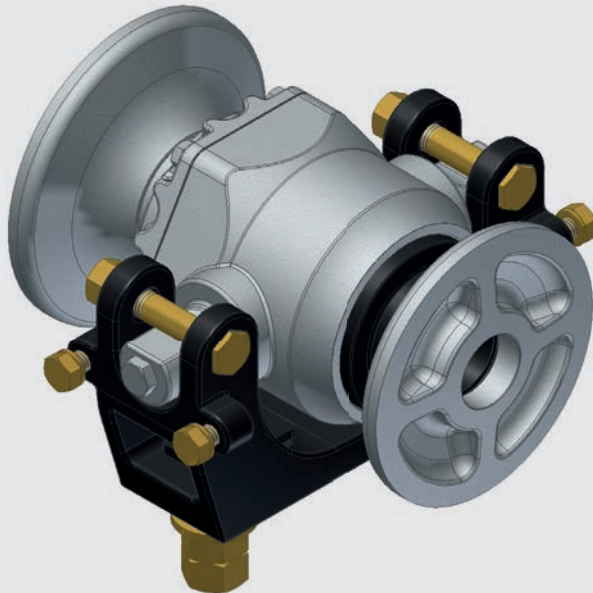
** Also, available in greaseable.

SWIVEL OIL BATH BEARING - DMO

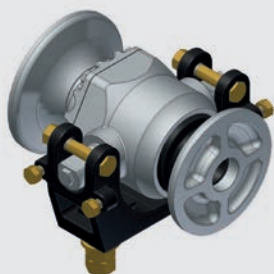


TATU swivel oil bath bearing have different setting allowing the disc gang rotate freely with the following benefits:

- Increase durability of the internal components;
- Lower disk gang traction effort;
- Ongoing work of the disc gang even in light soils or less depth.



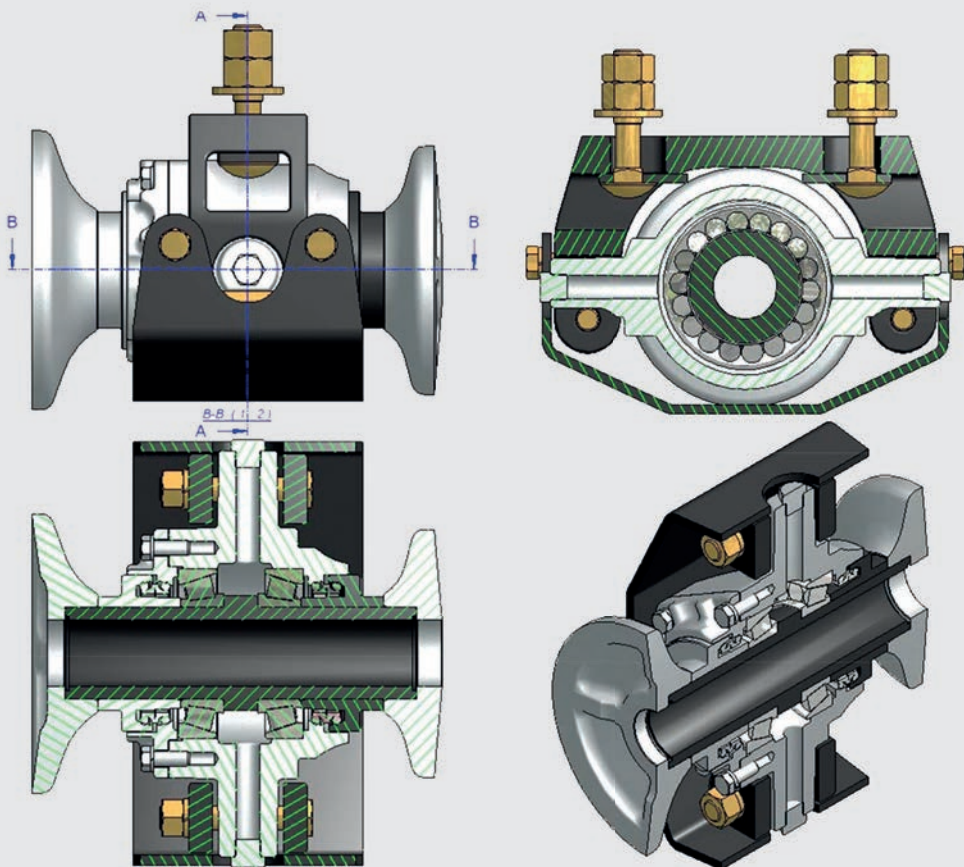
SWIVEL OIL BATH BEARING - DMO

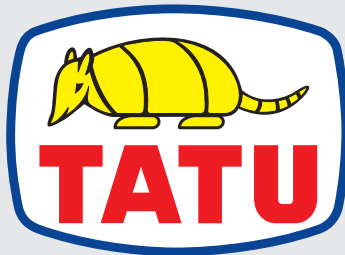


TATU swivel oil bath bearings are available in following space:

- 7.11/16" spacing (192.5mm) for 1.1/2" axle
- 9" spacing (225mm) for 1.1/2", 1.5/8" and 1.3/4" axle
- 10.1/2" spacing (262mm) for \varnothing 1.5/8" axle
- 12" spacing (292mm) for 2.1/8" axle

SWIVEL OIL BATH BEARING - DMO





MARCHESAN

MARCHESAN IMPLEMENTOS E MÁQUINAS AGRÍCOLAS TATU S.A.

Av. Marchesan, 1979 | CEP 15994-900 | Matão-SP-Brasil

Phone: +55 16 3382.8282

CNPJ: 52.311.289/0001-63 | Inscr. Est.: 441.000.151.114

tatu@marchesan.com.br
www.marchesan.com.br



THE BRAND OF THE LAND

MARCHESAN S.A. reserves the right to improve or modify its products, changing the specifications, without previous notice. The photos are merely illustrative. 10/2019 - Edition 03.

