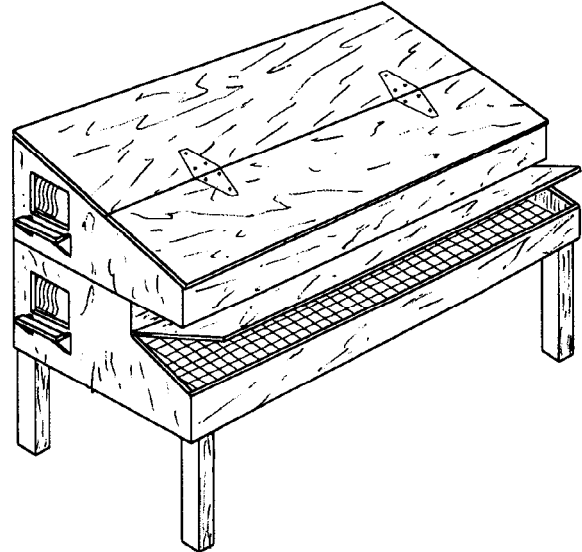


INDIVIDUAL NESTS



COMMUNITY NEST

PLAN 5015 1985 R:2001:01

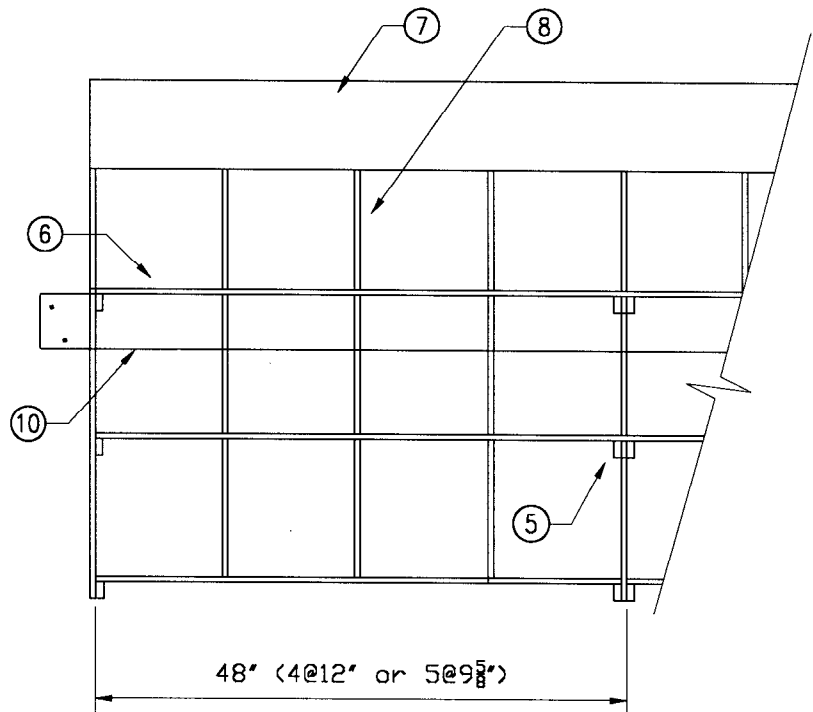
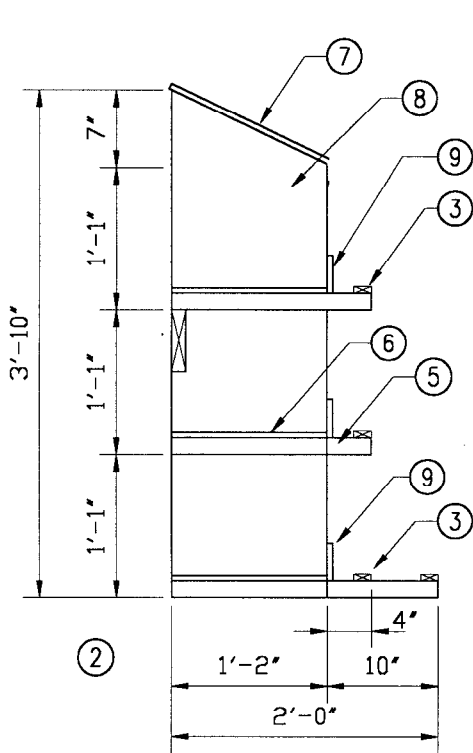
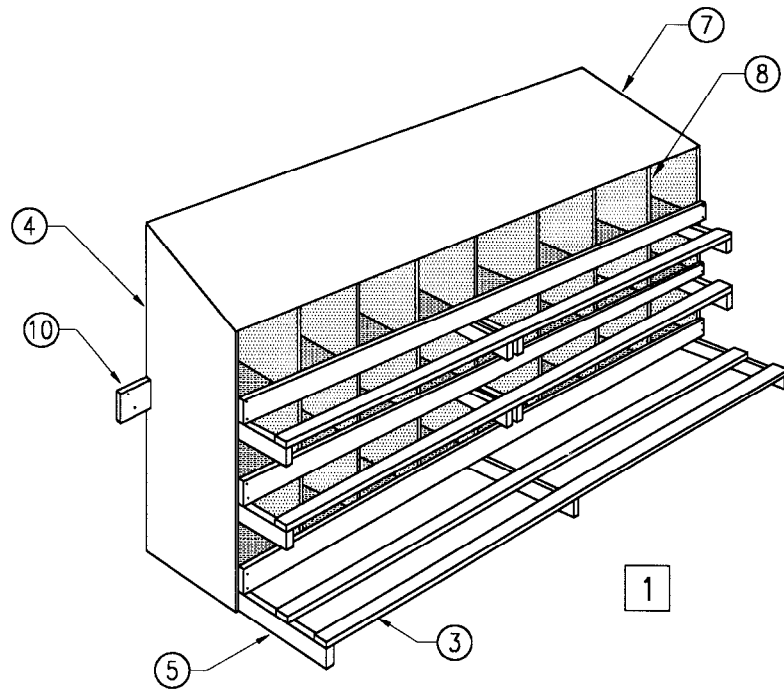
Floor housing systems, such as broiler-breeder flocks and small laying flocks, require nesting systems. Two popular styles of nests are detailed on this plan.

The sloping roof of either type discourages birds from roosting on the nest.

Community Nests are large nesting boxes for 3-6 hens. The roll-away style as shown is preferred for easier egg gathering and cleaner eggs. Simpler nests could be built if desired. Community nests like this can be stacked two tiers high to save space. Allow one nest box for 20-25 hens of light breeds, or one box for 16 hens of heavy breeds.

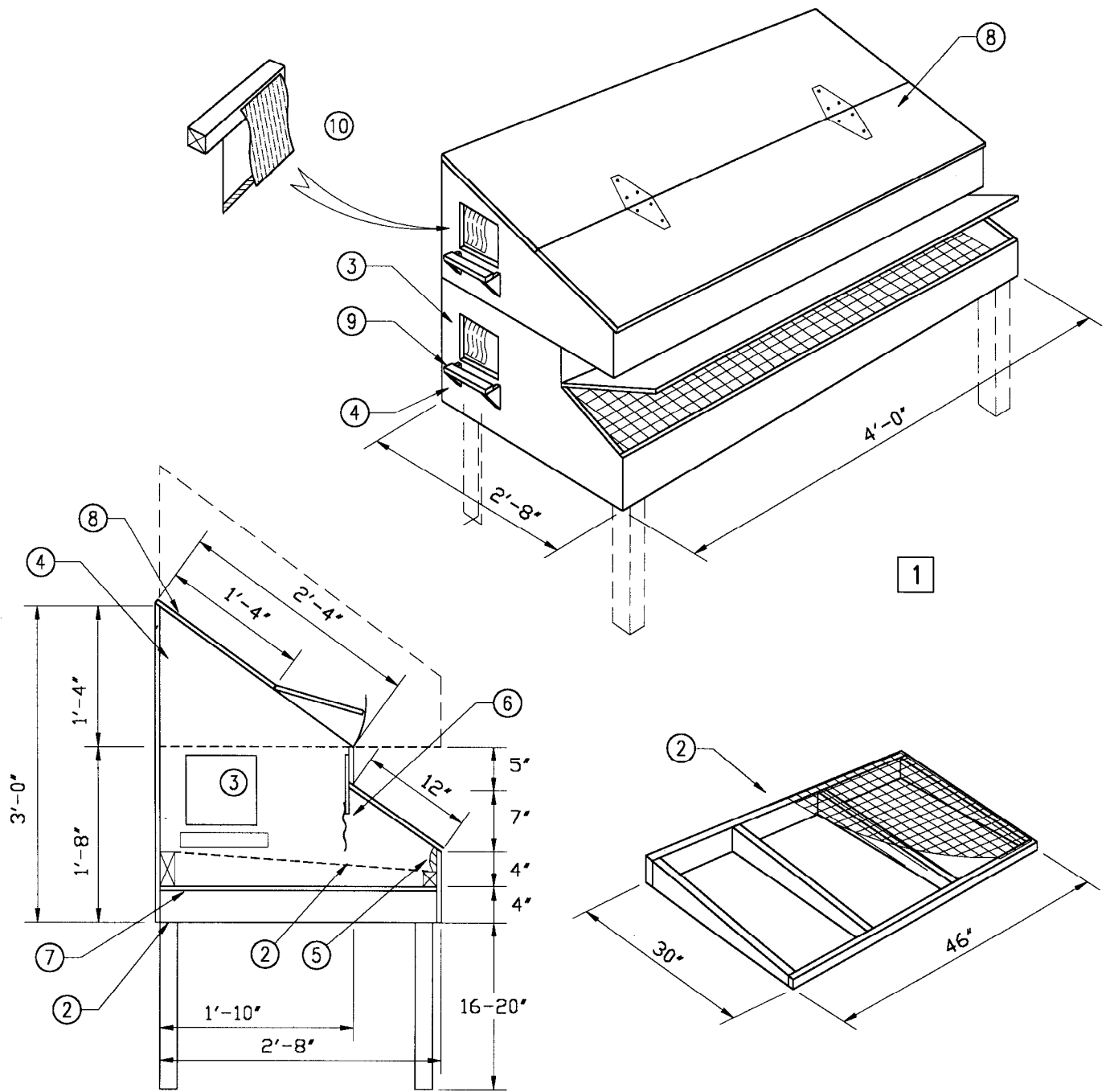
Individual Nests are particularly popular for the small flock operator. The plan shows one practical system of construction; various similar ideas can be used. Make the nest boxes this size, since two hens will try to crowd into larger nests. Provide one nest for every 6-8 birds.





INDIVIDUAL NESTS

- | | |
|----------------------------------|---------------------------------|
| 1. Perspective | 6. Floor of 15.5 mm plywood |
| 2. End section | 7. Top of 12.5 mm plywood |
| 3. Perch of 1 x 2 | 8. Nest dividers, wood panel |
| 4. End panels of 12.5 mm plywood | 9. 1 x 4 or plywood front |
| 5. 1 x 2 supports | 10. 1 x 6 girt for wall hanging |



ROLL-AWAY COMMUNITY NEST

- | | |
|--|--|
| 1. Perspective of two-tier nest | 7. Floor of 15.5 mm plywood |
| 2. Frame, 1 x 4 on 2 x 2 legs | 8. Top of 12.5 mm plywood, hinge as shown |
| 3. 8" opening each end, with light curtain | 9. Perch of 1 x 2 |
| 4. End panels of 12.5 mm plywood | 10. Attach light curtain to 2 x 2 frame |
| 5. Foam rubber bumper pad | 11. Removable laying floor, 0.5" galv wire mesh
2 x 4 top and 2 x 2 lower rails |
| 6. Plywood baffle and cloth curtain | 12. 1 x 4 or plywood front |