

# PRODUCTS, L.L.C.

"I am the door: By me if any man enter in, he shall be saved, and shall go in and out, and find pasture."

Jn. 10:9

6100 Summer Ave. Memphis, TN 38134 901.382.4482 Office / 901.382.0637 Fax

## FRAME ORDER FORM

Date: \_\_\_\_\_  
To: \_\_\_\_\_  
From: \_\_\_\_\_  
Re: \_\_\_\_\_

Cost \_\_\_\_\_

Freight & Expedite Fee \_\_\_\_\_

### Door Information

Height: \_\_\_\_\_

Width: \_\_\_\_\_

Fire Rating: \_\_\_\_\_

Handing: \_\_\_\_\_

Hinge Size: \_\_\_\_\_

Welded  Knock Down

### Hinge & Lock Locations

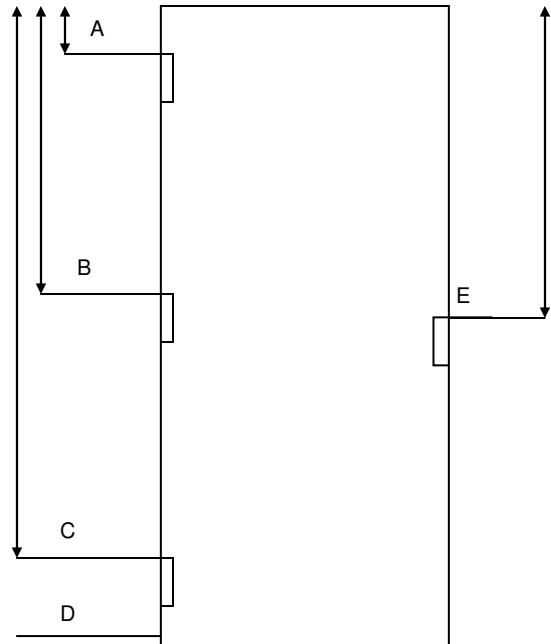
Measure from bottom of head to top of hinge/strike.

A - \_\_\_\_\_

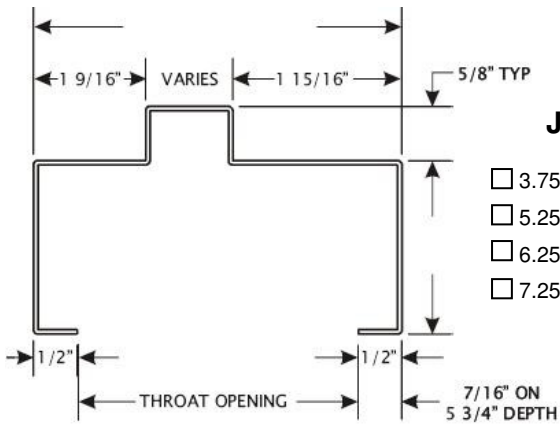
B - \_\_\_\_\_

C - \_\_\_\_\_

(if 4 hinges ) D - \_\_\_\_\_



Draw in any other preps with measurements



### Jamb Depth

(Wall Thickness)

3.75  4.875

5.25  5.75

6.25  7.75

7.25  7.75

\*Frame will not be ordered until accepted by buyer

**ACCEPTED BY BUYER**

**JMP Products LLC.**

This \_\_\_\_\_ day of \_\_\_\_\_ 20\_\_\_\_\_

This \_\_\_\_\_ day of \_\_\_\_\_ 20\_\_\_\_\_

Buyers Name \_\_\_\_\_

Name/Title \_\_\_\_\_

By \_\_\_\_\_

By \_\_\_\_\_

Name/Title \_\_\_\_\_