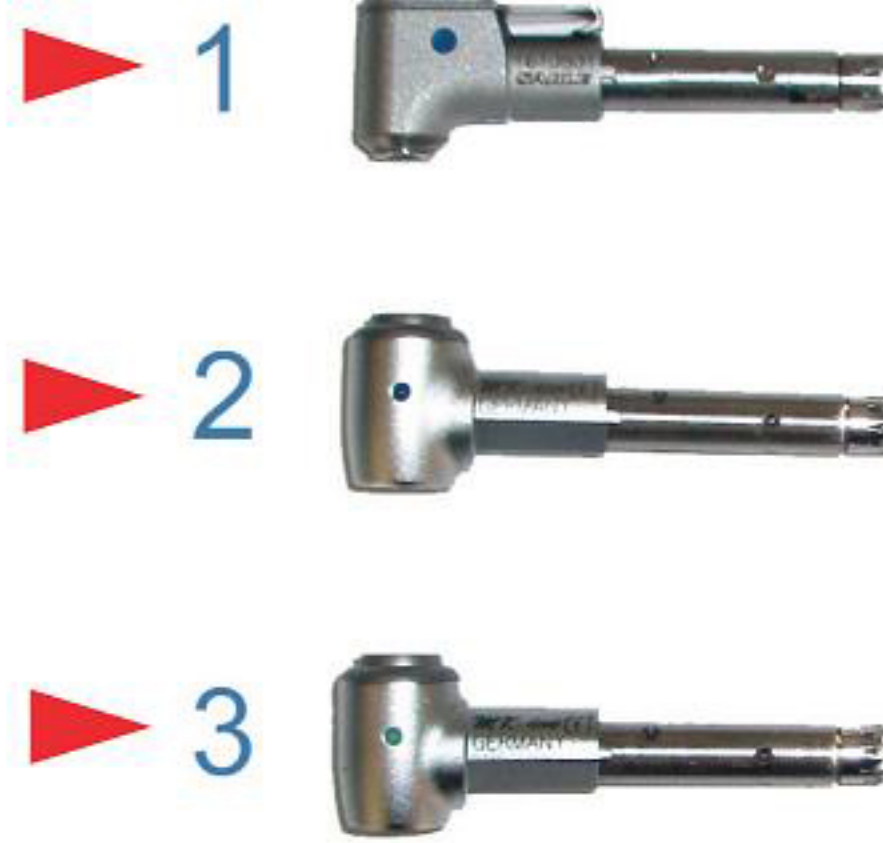




KaVo Style Attachments

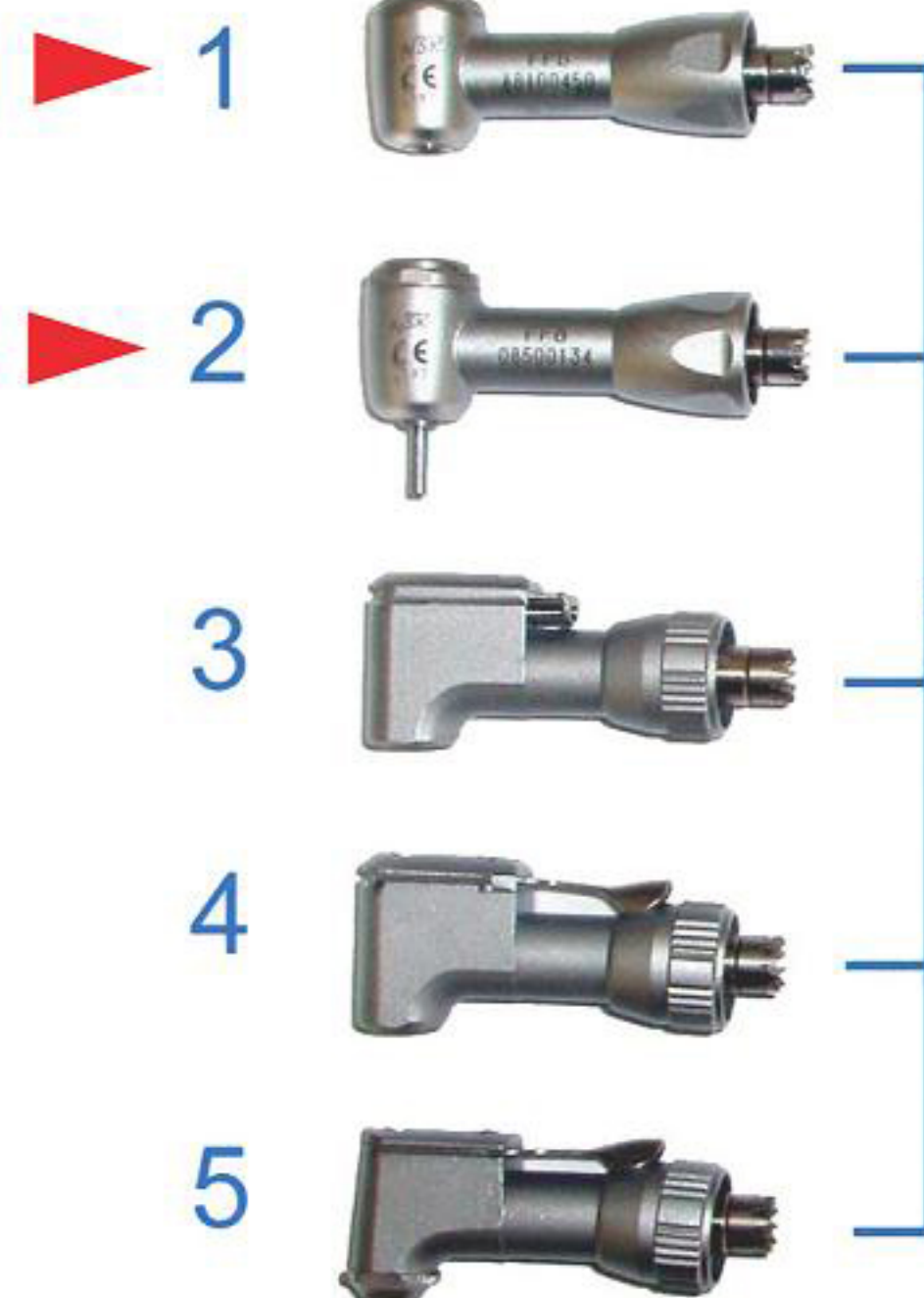


After-Market **KaVo** Style Attachments:
 1) 68G 1:1 Transmission Swing Latch Head for Latch Style Burs. Part# **SO-KV68G-S**
 2) 68LDN 1:1 Transmission Push Button Latch Head for Latch Style Burs. Part# **SO-KV68LDN-A**

3) 67LDN 2:1 Reduction Push Button Latch Head for Latch Style Burs. Part# **SO-KV67LDN-A**
 4) 20K 1:1 Transmission Contra Angle w/water. Works with all KaVo Heads. Part# **SO-KV20K-S**

▶ Red arrow denotes **NEW** items.

Midwest Style Attachments

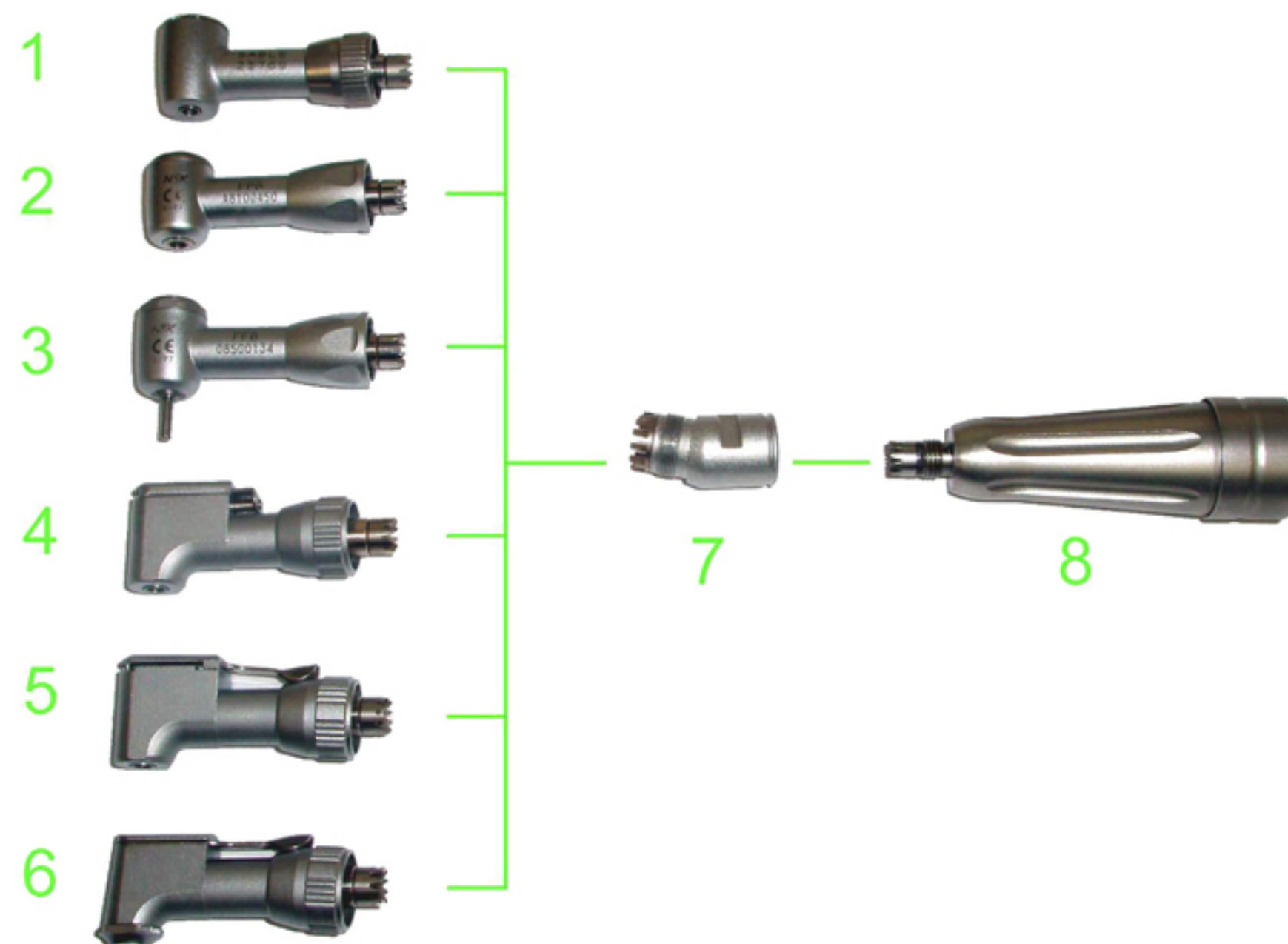


After-Market **MIDWEST** Style Attachments:
 1) FPB 1:1 Transmission Push Button Latch Head for Latch Style Burs. Part# **16409**
 2) FFB 1:1 Transmission Push Button Head for Friction Grip Style Burs. Part# **16410**
 3) Generic Head 1:1 Transmission Ball-Bearing Push-Up Lever for Latch Style Burs. Part# **16404**

4) Generic Head 1:1 Transmission Ball-Bearing Swing Lever Head for Latch Style Burs. Part# **16400**
 5) Economy 1:1 Transmission Bushing Swing Lever Head for Latch Style Burs. Part# **16402**
 6) Contra Angle Sheath 1:1 transmission for Rhino & Shorty Motors accepts all 14-Tooth Heads. Part# **SO-MW C/A Sheath**

▶ Red arrow denotes **NEW** items.

Star Style Attachments

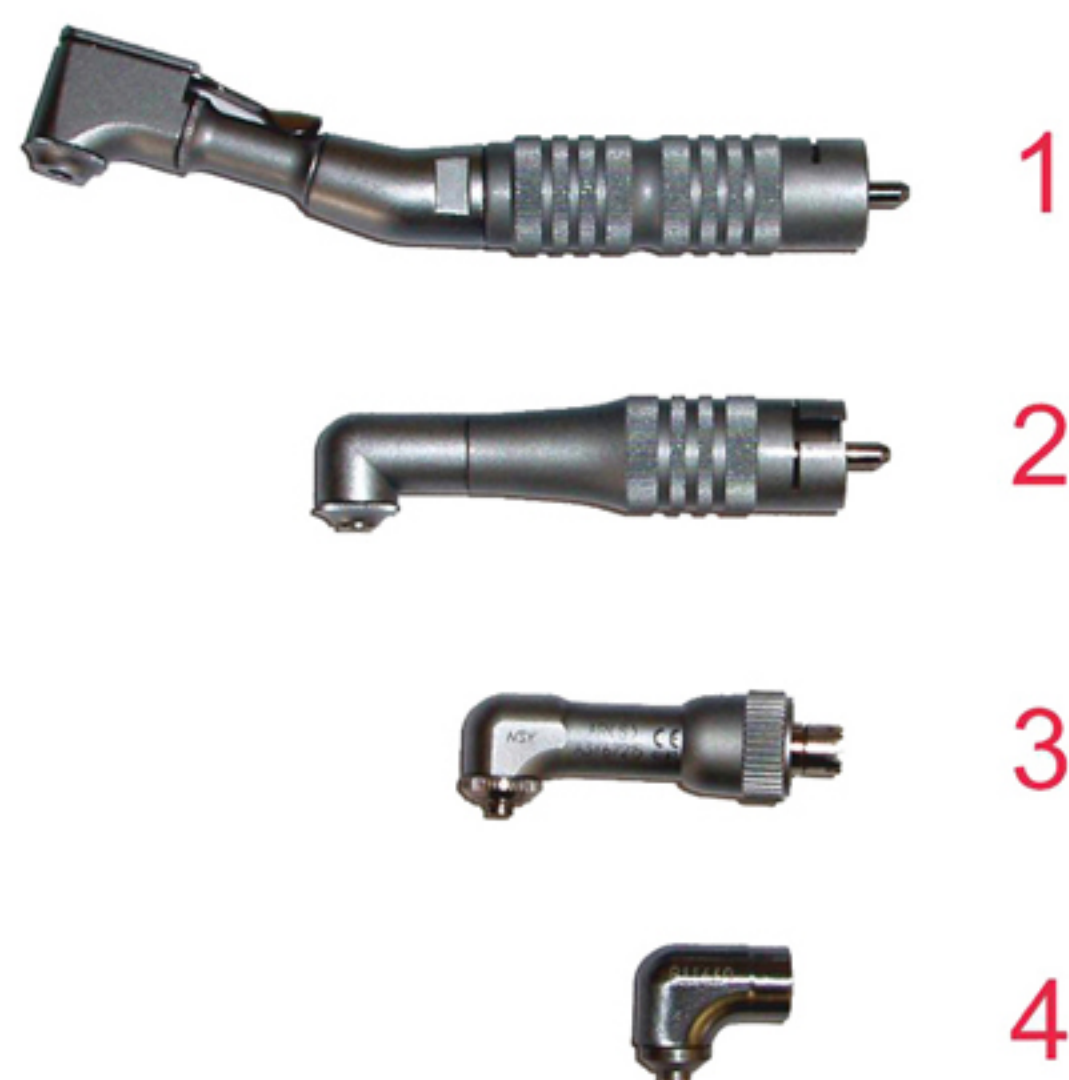


After-Market **STAR** Style Attachments:

- 1) SABLE Brand Ball-Bearing 1:1 Transmission Auto-Latch Head. Part# 90210
- 2) NSK Brand Ball-Bearing 1:1 Transmission Auto-Latch Head. Part# SO-FPB-Y
- 3) NSK Brand Ball-Bearing 1:1 Transmission PB Head for Friction Grip Burs. Part# SO-NFB-Y
- 4) Generic Head 1:1 Transmission Ball-Bearing Push-Up Lever for Latch Style Burs. Part# 16303A

- 5) Generic Head 1:1 Transmission Ball-Bearing Swing Lever Head for Latch Burs. Part# 16303
- 6) Economy 1:1 Transmission Bushing Swing Lever Head for Latch Style Burs. Part# 16302
- 7) 12-Tooth Elbow to connect All NSK / Sable / Generic / Economy Heads to STAR Motor to Angle Adapter or MIDWEST Staright Sheath. Part# 16304
- 8) After-Market STAR Style Motor to Angle Adapter Part# SO-263943

Miscellaneous Attachments



After-Market and OEM **Miscellaneous** Attachments:

- 1) Economy 20,000RPM Swing Lever Contra-Angle for Latch Style Burs. Autoclavable. Part# SO-R20U
- 2) Economy 20,000RPM Screw Type Prophy Head Part# W-DPS-U
- 3) Delux NSK 40,000 RPM Screw Type Prophy Head. 12-Tooth Design fits all STAR & NSK Attachments. Part# W-DPS-ST
- 4) MIDWEST OEM Prophy Right Angle. Fits MIDWEST Prohyr Rt. Angle Sheath and RDH Motor. Part# SO-720444