

HANDPIECES

Patterson



040-4061



040-4012



040-4020



040-4004

LOW-SPEED E-TYPE HANDPIECE COMPONENTS – PATTERSON

PD-68 Angle

- 2500 rpm
- Use screw-type shank prophyl cups and brushes
- 12-month warranty

1/Pkg.....040-4061 **1@ \$169.95**

PD-58 Contra Angle

- Latch type chuck
- 1:1 ratio/20,000 rpm
- External spray possible (clip-kit available)
- 12-month warranty

1/Pkg.....040-4012 **1@ \$175.50**

PD-43 Straight Nose Cone

- Lever type chuck
- 1:1 ratio/20,000 rpm
- External spray possible (clip-kit available)
- Not compatible with disposable prophyl angles
- 12-month warranty

1/Pkg.....040-4020 **1@ \$124.95**

PD-20 RM Air Motor Standard E-Type

- Torque 4 Ncm
- 20,000 rpm
- External spray possible (ring kit available)
- RM connection
- Single drive direction (right direction)
- Fixed speed 20,000 rpm
- 12-month warranty

1/Pkg.....040-4004 **1@ \$177.50**



043-2328



043-4092

043-4126



043-1023

EX 103S E-TYPE LOW SPEED AIR STARTER KIT – PATTERSON

- Starter kit for E-type low-speed systems
- Less vibration, quiet operation and strong power at low speed
- Each attachment can be easily installed with a snap-quick onto the air motor

1 (1:1) drive and NAC-Y latch contra angle head, 1 (1:1) drive with a light twist type bur installation/removal, 1 EC contra angle sheath, 1 EX-103 air motor and 1 EX-6 straight nose cone

Package.....043-2104 **1@ \$598.00**



EX-103



EX-203

E-TYPE AIR MOTORS 4 HOLE – PATTERSON

- Variable speed
- Forward and reverse
- Highest quality E-style handpieces

EX-103

12-month warranty

5500 rpm, 4:1.....043-2328 **1@ \$375.00**

EX-203

10-month warranty

20,000 rpm, 1:1.....043-2302 **1@ \$242.45**

LOW SPEED E-TYPE SHANKS – PATTERSON



EC Contra Angle

- 1:1 ratio
- 40,000 rpm
- EX compatible attachment
- 6-month warranty

1/Pkg.....043-4126 **1@ \$57.95**



EX-6 Straight Nose Cone

- 40,000 rpm
- EX compatible attachment
- 6-month warranty

1/Pkg.....043-1023 **1@ \$191.95**



E4R Contra Angle

- 4:1 speed reduction
- EX compatible attachment
- 6-month warranty

1/Pkg.....043-2542 **1@ \$151.50**

LOW SPEED HEADS – PATTERSON



BB-Y Latch Head

- For 2.35 CA bur
- 40,000 rpm
- EX compatible attachment
- 6-month warranty

Latch.....043-2005 **1@ \$114.10**



NAC-Y Latch Head

- For 2.35 bur
- 30,000 rpm
- EX compatible attachment
- 6-month warranty

Latch.....043-4092 **1@ \$46.75**



NFB-Y FG Head

- For 1.60 FG bur
- 40,000 rpm
- EX compatible attachment
- 6-month warranty

Push Button.....043-3847 **1@ \$100.50**



NPB-Y PB Latch Head

- For 2.35 CA bur
- 40,000 rpm
- EX compatible attachment
- 6-month warranty

Push Button.....043-3839 **1@ \$114.50**



HYGIENE/LAB LOW-SPEED HANDPIECE - PATTERSON

- Light duty lab HP and hygiene HP in one
- Compatible with 2.35 mm diameter straight burs
- Compatible with disposable and metal prophylaxis angles
- Forward and reverse and 360° swivel
- Variable speed control
- Only 3.1 oz
- Locking chuck
- 5000 rpm
- 12-month warranty

1/Pkg..... 043-2047 **1@ \$469.75**



043-4282



043-4290



043-4316



043-4308

HIGH-SPEED FIBER OPTIC HANDPIECE - PATTERSON

- Excellent balance, torque and illumination
- Push-button chuck
- 25,000 lux light output
- 400,000 rpm/17 W torque – Standard Head
- 420,000 rpm/14 W torque – Miniature Head
- Quick-disconnect swivel coupler system for superior comfort and ergonomics
- 1-year warranty

Standard Head 043-4282 **1@ \$471.40**

Miniature Head 043-4290 **1@ \$472.75**

High Speed Fiber Optic Handpiece Couplers

5 Pin..... 043-4308 **1@ \$154.95**

6 Pin..... 043-4316 **1@ \$154.95**



043-3912



043-3904



043-3938



043-3920

HIGH SPEED AIR HANDPIECES - PATTERSON

- High-quality bearings for smooth and quiet operation
- Lightweight to reduce fatigue
- 350,000 rpm at 32 psi
- 4-hole connection
- Autoclavable
- Replacement turbine available
- 6-month warranty
- Made in the USA

Standard Head, 14.7 mm

Push Button..... 043-3912 **1@ \$178.50**

Manual Chuck..... 043-3904 **1@ \$132.10**

Miniature Head, 13.3 mm

Push Button..... 043-3938 **1@ \$180.25**

Manual Chuck..... 043-3920 **1@ \$132.30**



043-3854



043-3862

LIGHTWEIGHT HIGH SPEED AIR HANDPIECES - PATTERSON

- Available in mini or standard head push-button handpiece
- Weighs only 33 g
- 6-month warranty
- Made in the USA

Standard Head 043-3854 **1@ \$167.40**

Mini Head..... 043-3862 **1@ \$173.95**



PD-95 HIGH-SPEED AIR HANDPIECES - PATTERSON

- Single spray
- Push-button chuck
- RM connection
- 330,000 rpm
- 1-year warranty

1/Pkg..... 040-4046 **1@ \$210.10**

PD-95 Replacement Turbine

1/Pkg..... 089-3172 **1@ \$126.75**

A-dec/W&H



SYNEA 400 HIGH SPEED ELECTRIC HANDPIECES - A-DEC/W&H

- 1:5 speed ratio
- E-coupling – fits any leading electric motor
- Sealed head with push-button chuck for 1.6 mm friction-grip burs
- Over 3 times the power of air-driven highsPEEDS for exceptionally smooth cutting
- Pedro head (9.5 mm dia., 14.5 mm height) provides excellent access and view
- Quattro Spray (4-port) for efficient cooling and visibility
- Unibody, monobloc one-piece design for ultra-low sound levels and reduced vibration
- Fused glass optics with 25,000 lux light output
- Friction grip bur lengths of 19 to 25 mm

Contra Angle, LED Light

WK-99LT 038-8850 **1@ \$1291.35**



038-8835



038-8843

SYNEA 500 HIGH SPEED ELECTRIC HANDPIECES - A-DEC/W&H

- Standard length fits any leading electric motor with E-coupling
- Compact length fits A-dec EA-53 electric motor and other E-style electric motors with short motor stem
- Sealed head with push-button chuck for 1.6 mm friction-grip burs
- Over 3 times the power of air-driven highsPEEDS for exceptionally smooth cutting
- Micro head design (9.1 mm dia., 13.2 mm height)
- Penta Spray (5-port) for efficient cooling and visibility
- Unibody, monobloc one-piece design for ultra-low sound levels and reduced vibration
- Scratch-resistant surface

WK-93LTS, Compact Length 038-8835 **1@ \$1538.00**

WK-93LT, Standard Length... 038-8843

HANDPIECES



038-8892



038-8900



038-8918



038-8926

SYNEA 400 LOW SPEED ELECTRIC HANDPIECES – A-DEC/W&H

- E-coupling – fits any leading electric motor
- Over 3 times the power of air-driven lowspeeds for exceptionally smooth cutting
- Pedo head (9.5 mm dia., 13.5 mm height) with LED light is ideal for excellent access and view
- Straight head provides superior torque and is ideal for extraoral adjustments and anterior resections
- Single-spray coolant for efficient cooling and visibility
- Unibody, monobloc one-piece design for ultra-low sound levels and reduced vibration

Pedo Head, Contra Angle, LED Light

WG-56LT, RA.....038-8892 **1@ \$1045.10**

WG-57LT, FG.....038-8900 **1@ \$1043.60**

WG-66LT, RA.....038-8918 **1@ \$1048.10**

Straight, No Light

HG-43A, Lab Burs.....038-8926 **1@ \$799.65**



038-8868



038-8876



038-8884

SYNEA 500 LOW SPEED ELECTRIC HANDPIECES – A-DEC/W&H

- Standard length fits any leading electric motor with E-coupling
- Compact length fits A-dec EA-53 electric motor and other E-style electric motors with short motor stem
- Sealed head with push-button for 2.35 mm latch burs
- Twist tension chuck for 2.35 mm lab or latch burs
- Micro head (9.5 mm dia., 12.5 mm height) provides excellent access and view
- Single-spray coolant for efficient cooling and visibility
- Scratch-resistant surface
- Fused glass optics with 25,000 lux light output
- Bur lengths of 16 to 34 mm

Micro Head, Contra Angle

WK-56LTS, Compact Length 038-8868 **1@ \$1290.60**

WK-56LT, Standard Length...038-8876

Straight

HK-43LT, Standard Length....038-8884 **1@ \$1296.20**



038-8421



038-8439

ALEGRIA 300 HIGH SPEED AIR HANDPIECES – A-DEC/W&H

- Pedo head (10.4 mm diameter) has improved access and view with 14 watts turbine power
- Standard size head (12.2 mm diameter) has increased cutting power with 16 watts turbine power
- Unique self-generated LED lighting – fits any type of handpiece tubing including nonlighted (light comes on when handpiece is in operation)
- Lightweight
- Quiet operation
- Triple Spray (3-port) for efficient cooling and visibility
- Sealed head with push-button chuck for 1.6 mm friction-grip burs
- Fits A-dec/W&H RQ-54 quick-disconnect couplers
- 35 psi (2.5 bar) recommended air pressure

TE-97LQ, Pedo Head038-8421 **1@ \$758.50**

TE-98LQ, Standard Head.....038-8439



038-8272



038-8280



038-8306



038-8322



038-8348



038-8389



038-8298



038-8314



038-8330



038-8371

SYNEA 400 HIGH SPEED AIR HANDPIECES – A-DEC/W&H

- Standard size head (11.5 mm diameter) for increased cutting power and 19 watts turbine power
- Small pedo head (10 mm diameter) for improved access and view and 16 watts turbine power
- Quattro Spray (4-port) for efficient cooling and visibility
- Sealed head with push-button chuck for 1.6 mm friction-grip burs
- 45 psi (3 bar) recommended air pressure

LED+ Light, RQ-24

TG-97L, Pedo Head038-8272 **1@ \$1045.55**

TG-98L, Standard Head038-8280

LED Light, Multiflex® Lux

TG-97LM, Pedo Head038-8314 **1@ \$1047.05**

TG-98LM, Standard Head038-8322

LED Light, NKS PTL

TG-97LN, Pedo Head038-8330 **1@ \$1048.55**

TG-98LN, Standard Head038-8348

Halogen Light, RA-24/25

TG-97LW, Pedo Head038-8298 **1@ \$1047.05**

TG-98LW, Standard Head038-8306

No Light, RQ-04

TG-97, Pedo Head038-8371 **1@ \$882.65**

TG-98, Standard Head038-8389



038-8231

038-8249



038-8256

038-8264

SYNEA 500 HIGH SPEED AIR HANDPIECES – A-DEC/W&H

- Micro head (9 mm diameter) has 12 watts turbine power
- Pedo head (10 mm diameter) has 18 watts turbine power
- Standard size head (11.5 mm diameter) has 21 watts turbine power
- Torque size head (13.0 mm diameter) has 22 watts turbine power
- Lightweight and quiet operation
- Penta Spray (5-port) for efficient cooling and visibility
- Sealed head with push-button chuck for 1.6 mm friction-grip burs
- Micro head uses 16 mm short-shank burs (SS) only
- Fits RQ-24 couplers – smooth-rolling swivel connection for 6-pin tubing

LED+ Light

TK-94L, Micro Head.....038-8231 **1@ \$1369.00**

Ring LED+ Light

TK-97L, Pedo Head.....038-8249 **1@ \$1372.95**

TK-98L, Standard Head.....038-8256

TK-100L, Torque Head.....038-8264

RQ-24 Coupler

1/Pkg.....035-2914 **1@ \$412.70**



038-8454

038-8462

038-8470

038-8504



038-8512

038-8736

038-8488

038-8520

038-8769

ALEGRA 300 LOW SPEED AIR HANDPIECES – A-DEC/W&H

- Lightweight design
- Short handpiece length
- Superior swivel
- Smooth operation
- Provides outstanding ergonomics and tactile feedback
- Nonlighted; no spray
- MW models are compatible with Midwest motors
- SD models are compatible with StarDental motors

Pedo Head, Contra Angle, A-dec/W&H Connection

WE-56T, RA.....038-8454 **1@ \$553.75**

WE-57T, FG.....038-8462

WE-66T, RA.....038-8470

Pedo Head, Contra Angle, Midwest Connection

WE-56TMW, RA.....038-8504 **1@ \$553.75**

WE-57TMW, FG.....038-8512

Pedo Head, Contra Angle, StarDental Connection

WE-56TSD, RA.....038-8736 **1@ \$553.75**

WE-57TSD, FG.....038-8744

Straight, A-dec/W&H Connection

HE-43T.....038-8488 **1@ \$553.75**

Straight, Midwest Connection

HE-43TMW.....038-8520 **1@ \$554.55**

Straight, StarDental Connection

HE-43TSD.....038-8769 **1@ \$552.15**



038-8942

038-3331

038-3315

PROXEO PROPHY ELECTRIC HANDPIECES – A-DEC/W&H

- 4:1 electric prophy handpiece with E-coupling – fits any leading electric motor (or 20 mm diameter air motor)
- Sealed head for all common screw-in cups and brushes (1-72 UNF 2A screw thread)
- Small micro-head design for excellent access and view
- All ball-bearing design for smooth operation

Micro Head, Contra Angle

WP-64M.....038-8942 **1@ \$634.70**

WP-64MU.....038-3331 **1@ \$636.60**

Straight

HP-44M.....038-3315 **1@ \$552.95**



035-4167

038-3281

038-8827

038-8801

038-8793

038-8819

038-3307

PROXEO PROPHY AIR HANDPIECES – A-DEC/W&H

- Straight: use with disposable prophy angles with plastic shaft
- Contra Angle: sealed head for all common screw-in cups and brushes (1-72 UNF 2A screw thread)
- Micro head designed for excellent access and view
- All ball-bearing design for smooth operation

For Disposable PropHY Angles

AP-44.....035-4167 **1@ \$1002.30**

AP-44RM.....038-3281 **1@ \$960.00**

HP-44T.....038-8827 **1@ \$473.75**

HP-44TMW.....038-8801

HP-44TSD.....038-8793

For Screw-in Cups and Brushes

WP-64T.....038-8819 **1@ \$552.95**

For Screw-in or Snap-on Cups and Brushes

AP-64U.....038-3307 **1@ \$1413.25**

Roto Quick High Speed Handpiece Couplers

1/Pkg.....038-8447 **1@ \$413.40**

HANDPIECES



ENDEA ENDODONTIC ATTACHMENTS – A-DEC/W&H

- Precision ball-bearing design that provides precise torque and ultra smooth operation to improve performance and maintain file integrity
- 20 mm diameter E-style connection
- Micro head design offers exceptional access and visibility
- EB root canal instruments are suitable for 360° rotation with nickel-titanium files
- 2:1 speed reducing ratio delivers increased control over file speed and torque limits
- 4:1 speed reducing ratio delivers increased power and more torque when needed

EB-75, 16:1.....	038-3448	1@ \$1123.40
EB-77, 4:1.....	038-3414	1@ \$1005.20
EB-79, 2:1.....	038-3422	1@ \$1003.75
For electric old style		
WD-74M, 128:1.....	035-5172	1@ \$1205.00



ALEGRA LOW SPEED AIR MOTORS – A-DEC/W&H

- Quiet and operate smoothly to provide tactile feedback
- A-dec/W&H, Midwest or StarDental connection
- Ergonomic lightweight design, high torque, smooth operation
- Nonlighted; no spray
- Fixed-back; connects to 4-hole tubing

AM-25RM.....	037-9628	1@ \$837.40
AM-25A RM.....	037-9644	1@ \$1160.75
AM-25LT.....	037-9651	1@ \$1306.30
A-dec/W&H Connection		
AM-20RM.....	038-8496	1@ \$553.75
Midwest Connection		
AM-20MW.....	038-8710	1@ \$717.10
AM-5MW.....	038-8728	1@ \$798.50
StarDental Connection		
AM-20SD.....	038-8777	1@ \$719.20
AM-55D.....	038-8785	1@ \$803.10



A-DEC TORQUE MULTIPLIER – A-DEC/W&H

- 4:1 speed reducer
- Requires AM-20SD, AM-55D, or Star Titan air motor

1/Pkg.....	038-8751	1@ \$234.00
------------	----------	--------------------



ROTO QUICK HIGH SPEED HANDPIECE COUPLERS – A-DEC/W&H

- Used with Alegra and Synea lighted high speed handpieces
- Bulb at tip of coupler
- Use with 4-hole, 5-hole and 6-pin connection
- Anti-retraction valve for water coolant

RA-24.....	035-2930	1@ \$414.05
RA-25.....	035-2922	
RQ-04.....	035-2906	1@ \$321.65
RQ-24.....	035-2914	1@ \$412.70
RQ-54.....	038-8447	1@ \$413.40



ASSISTINA 301 PLUS MAINTENANCE SYSTEMS – A-DEC/W&H

- Provides consistent maintenance to extend the life of your handpieces, motors and attachments
- Simple to install and easy to use
- 35-second cycle time
- Universal adapter accepts many handpieces (may require additional adapters)
- Filters exhaust air

Maintenance System Kit (Without Maintenance Liquid and Service Oil)

1 Assistina 301 Plus maintenance system and 2 universal adapters

Package.....	037-6038	1@ \$2635.00
--------------	----------	---------------------

Maintenance System Kit

1 Assistina 301 Plus maintenance system, 20 fleece liners, 1 (1 liter) maintenance liquid, 1 (0.5 liter) service oil, 2 universal adapters, 1 filter, O-rings and 2 color-coded funnels

Package.....	035-4035	1@ \$2790.00
--------------	----------	---------------------

Bien-Air Dental



037-9784



037-8505



037-9701



037-9743



037-9743

037-8513



037-9719



037-9750



037-9792



037-9800



BORA HIGH SPEED AIR HANDPIECES – BIEN-AIR DENTAL

- Blackline Bora has a carbon fiber handle
- Light, fine, sleek and strong instrument
- Guarantee impeccable hygiene
- Cool Touch push-button bur-locking mechanism reduces heating
- Perfect nebulization with the 3 separate Accu-Spray air/water sprays
- Available with or without light

Handpiece Only

Bora	037-9784	1@ \$1152.65
Bora L	037-8505	1@ \$1161.30
Bora L Blackline LED	037-9701	1@ \$1491.90
Bora L LED	037-9743	1@ \$1356.75
1 (4-Way) Electric Powered Unifix Coupling Included		
Bora L	037-8513	1@ \$1227.30
Bora L Blackline LED	037-9719	1@ \$1526.50
Bora L LED	037-9750	1@ \$1514.25
1 (3-Way) Unifix Coupler Included		
Bora	037-9792	1@ \$1241.50
1 (4-Way) Unifix Coupler Included		
Bora	037-9800	1@ \$1241.50



037-8562



037-8554



038-0006



038-0014



038-0212

CONTRA ANGLE AIR HANDPIECES – BIEN-AIR DENTAL

- Soft Push button for easy bur release
- Guarantee perfect nebulization with 3 Accu-Spray separate air/water sprays
- Ideal ergonomic characteristics
- New technology incorporates a new shaft and gear system mounted on pre-stressed ball bearings
- Vibration-free transmission; reduces energy loss

Multi-Strand Optical Glass Light

CA 1:1 L	037-8562	1@ \$1550.00
CA 1:5 L	037-8570	1@ \$1550.00
CA 10:1 L	037-8554	1@ \$2023.00

No Light

CA 1:1	038-0212	1@ \$1225.00
CA 1:5	038-0006	1@ \$1644.00
CA 10:1	038-0014	1@ \$1724.00



MICRO-SERIES AIR HANDPIECES – BIEN-AIR DENTAL

- 40% more compact and 33% lighter
- No larger than a turbine
- By reducing the size, the balance point of the instrument/micromotor has been noticeably moved forward
- Force required to keep the instrument in the hand has been significantly reduced

Contra Angle, Multi-Strand Optical Glass

CA 1:1 L Micro-Series	038-0410	1@ \$1850.00
CA 1:5 L Micro-Series	038-0402	1@ \$1710.60
CA 20:1 L Micro-Series	038-0451	1@ \$2433.20

Straight

PM 1:1 Micro-Series	038-0469	1@ \$883.00
---------------------	----------	-------------



037-9818



037-8521



037-9727



037-9768



037-8539



037-9735



037-9776



037-9826



037-9834

PRESTIGE HIGH SPEED AIR HANDPIECES – BIEN-AIR DENTAL

- Perfect complement to the Bora turbines from Bien Air
- Smaller head is ideal for delicate work
- Quiet, light and easy to handle
- Guarantee perfect nebulization due to 3 separate Accu-Spray air/water sprays
- Cool Touch push-button system to reduce heating
- Available with and without light

Handpiece Only

Prestige	037-9818	1@ \$1390.95
Prestige L	037-8521	1@ \$1286.45
Prestige L Blackline LED	037-9727	1@ \$1709.25
Prestige L LED	037-9768	1@ \$1498.20
1 (4-Way) Electric Powered Unifix Coupler Included		
Prestige L	037-8539	1@ \$1378.80
Prestige L Blackline LED	037-9735	1@ \$1908.10
Prestige L LED	037-9776	1@ \$1700.10
1 (3-Way) Unifix Coupler Included		
Prestige	037-9826	1@ \$1423.30
1 (4-Way) Unifix Coupler Included		
Prestige	037-9834	1@ \$1423.30

HANDPIECES



037-8588



037-8604

STRAIGHT HANDPIECES – BIEN-AIR DENTAL

- Vibrations are absent
- Quiet operation
- Tried and tested bur locking system
- External irrigation

PM 1:1037-8588 **1@ \$854.00**
 PM 1:2037-8604 **1@ \$2999.00**



PMP 10:1 PROPHY HANDPIECE SET – BIEN-AIR DENTAL

- 10:1 reduction prophy attachment
- Accepts disposable prophy heads

1 PMP 10:1 prophy, 2 contra angle heads and 2 straight heads

Package.....038-0022 **1@ \$715.00**

MCX LED ELECTRIC MOTOR SYSTEM WITH TRANSFORMER – BIEN-AIR DENTAL

- Brushless, autoclavable and maintenance free
- Speeds of 1000 to 200,000 rpm with only 2 attachments
- Adjustable LED

1 MCX LED micromotor, 1 DMCX electronic control board, 1 hose for MCX LED micromotor and 1 transformer

Package.....038-1939 **1@ \$1271.85**



IOPTIMA INTEGRATION SYSTEMS KIT – BIEN-AIR DENTAL

- Ergonomic and intuitive Apple® iPod touch® interface
- Pre-programmed restorative procedures and endodontic procedures from major manufacturers
- Create and configure customized procedures
- Auto-reverse and auto-forward endodontic functions

1 of each 3P cable system type: 2 m Switzerland, 2 m US/Asia, 2.5 m Europe;1 iOptima unit; 1 MX2 micromotor; 1 MX2 micromotor hose; 1 power supply
 Package.....038-3661 **1@ \$2823.65**

OPTIMA MX2 INT SET WITH DMX2 PLUS INTEGRATION SYSTEM – BIEN-AIR DENTAL

- Broad range of speed for the MX2 micromotor; 100 to 40,000 rpm
- Choice of 5 languages
- Selection of 40 programs
- 20 preset memory positions
- Adjustable LED

1 Optima MX2 INT control unit, 1 sterilizable MX2 micromotor, 1 hose for MX2 micromotor, 1 DMX2 Plus electronic control unit and 1 (80-240 Vac) transformer with 5 m (32 Vdc) cable

Package.....038-0675 **1@ \$2133.35**

OPTIMA MX2 INT SET WITH DMX2 PRO INTEGRATION SYSTEM – BIEN-AIR DENTAL

- Broad range of speed for the MX2 micromotor; 100 to 40,000 rpm
- Choice of 5 languages
- Selection of 40 programs
- Brushless, autoclavable and maintenance free
- Dual motor capability
- Adjustable LED

Set for 1 Micromotor with Transformer

1 Optima MX2 INT control unit, 1 sterilizable MX2 micromotor, 1 hose for MX2 micromotor, 1 DMX2 Pro electronic control unit and 1 (80-240 Vac) transformer with 5 m (32 Vdc) cable

Package.....038-0428 **1@ \$2629.00**

Set for 2 Micromotors with Converter

1 Optima MX2 INT control unit, 2 sterilizable MX2 micromotors, 2 hoses for MX2 micromotors, 1 DMX2 Pro electric control unit, 1 PL DMS relay and 1 converter IN 24 Vac/OUT 32 Vdc-24

Package.....038-0543 **1@ \$4494.95**

Dentsply



MIDWEST E ELECTRIC HANDPIECE SYSTEM – DENTSPLY MIDWEST

- Features a touchscreen interface with separate menu screens for both preparatory and endodontic procedure settings and the ability to view and customize the attachment operation directly from that screen
- Preparatory Setting Mode: Speed, attachment gearing, light operation and bur direction selector displayed on one screen for viewing and adjustment
- Endodontic Setting Mode: Allows user to set the appropriate file manufacturer-defined speed and torque setting for endodontic files
- Lightweight, autoclavable motor: At approximately 59 g, the Midwest E Motor is among the lightest offered for sale that can be autoclaved

1 control unit, 1 motor, 1 power supply and 1 hose

Package.....039-1532 **1@ \$3090.35**



MIDWEST QUIET-AIR® HIGH SPEED AIR HANDPIECES – DENTSPLY MIDWEST

- Excellent torque for a smooth, controlled cut
- Mid-size head for heavy cutting like crown and bridge work
- Choice of 2 chucking systems: conventional (bur tool) and patented Power Lever®
- For use with regular and long shank burs and diamonds
- Chrome-plated brass construction

Quiet-air® Fiber Optic042-8508 **1@ \$933.10**
 Quiet-air L® Fiber Optic042-8540 **1@ \$975.00**



MIDWEST TRADITION® HIGH SPEED AIR HANDPIECES – DENTSPLY MIDWEST

- Small head size for all procedures and tight spots
- 3 chuck styles available: standard, push-button and lever
- Stainless steel construction
- For use with regular and short shank burs and diamonds

Tradition® Fiber Optic.....042-8581 **1@ \$934.45**
 Tradition L® Fiber Optic042-8623 **1@ \$984.95**
 Tradition PB™ Fiber Optic.....042-8573

STYLUS ATC HANDPIECE STARTER PACKAGES – DENTSPLY MIDWEST

- The most powerful air driven high speed available
- Cuts more material, faster, with less effort than any other air handpiece
- Virtually eliminates stalling
- Dramatically reduced bur deflection and chattering
- High levels of precision, accuracy and comfort

Stylus ATC 890

2 Stylus ATC 890 handpieces, 1 control source, 1 coupler and tubing, 1 power adapter, 1 installation hardware kit and 1 maintenance kit: O-rings, cleaning wires, 1 coupler bulb cap and nozzle for aerosol spray, 1 maintenance coupler, 1 lubricant, 1 bulb, spray guards
 Package.....042-8151 **1@ \$4544.65**

Stylus ATC 990

2 Stylus ATC 990 handpieces, 1 control source, 1 coupler and tubing, 1 power adapter, 1 installation hardware kit and 1 maintenance kit: O-rings, cleaning wires, 1 coupler bulb cap and nozzle for aerosol spray, 1 maintenance coupler, 1 lubricant, 1 bulb, spray guards
 Package.....042-8144 **1@ \$4544.65**

Stylus ATC PLUS 890

3 Stylus ATC 890 handpieces, 1 control source, 1 coupler and tubing, 1 power adapter, 1 power cord, 1 installation hardware kit and 1 maintenance kit: O-rings, cleaning wires, 1 coupler bulb cap and nozzle for aerosol spray, 1 maintenance coupler, 1 lubricant, 1 bulb, spray guards
 Package.....042-8110 **1@ \$4908.30**

Stylus ATC PLUS 990

3 Stylus ATC 990 handpieces, 1 control source, 1 coupler and tubing, 1 power adapter, 1 power cord, 1 installation hardware kit and 1 maintenance kit: O-rings, cleaning wires, 1 coupler bulb cap and nozzle for aerosol spray, 1 maintenance coupler, 1 lubricant, 1 bulb, spray guards
 Package.....042-8102 **1@ \$4901.25**

LED Replacement Bulb

1/Pkg.....489-2782 **1@ \$75.65**



MIDWEST STYLUS™ HANDPIECES – DENTSPLY MIDWEST

- Premium air-powered high speed handpiece system with coupler-based easy on/off and 360° swivel
- Mid-size and mini-head offerings in all stainless steel construction

Midwest Stylus™		
180S Standard	042-9977	1@ \$1362.85
180E EasyCare™	043-0017	
181S Standard	042-8334	
181E EasyCare™	037-7788	
Midwest Stylus™ Lite		
360S Standard	042-8300	1@ \$1362.85
360E EasyCare™	042-8318	
361S Standard	042-8292	
361E EasyCare™	042-8284	
Midwest Stylus™ Mini		
540S Standard	042-8276	1@ \$1362.85
540E EasyCare™	042-8268	
541S Standard	042-8250	
541E EasyCare™	042-8243	



MIDWEST® CONTRA ANGLE SHEATH – DENTSPLY MIDWEST

- For use with Shorty® and Rhino® XP
- Recommended for upper and lower speed ranges

1/Pkg	491-3901	1@ \$301.40
-------	----------	--------------------

MIDWEST U-STYLE ADAPTER – DENTSPLY PROFESSIONAL

Use with a Midwest Shorty® motor or Midwest Rhino XP® motor and a disposable prophylaxis angle to perform hygiene procedures.

1/Pkg	488-6107	1@ \$146.50
-------	----------	--------------------



PROPHY RIGHT ANGLE SHEATH – DENTSPLY MIDWEST

- Lower speed range only
- Recommended for use with Midwest Shorty and Rhino XP air motors

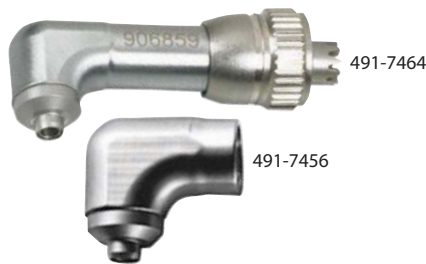
1/Pkg	493-6506	1@ \$313.00
-------	----------	--------------------



STRAIGHT ATTACHMENT – DENTSPLY MIDWEST

For use with Shorty and Rhino XP motors.

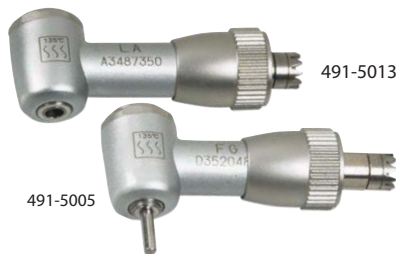
1/Pkg	042-8953	1@ \$483.00
-------	----------	--------------------



PROPHY ANGLES REPLACEMENT HEAD – DENTSPLY PROFESSIONAL

Features triple seal head.

Contra Angle Head		
1/Pkg	491-7464	1@ \$156.50
Right Angle Head		
3/Pkg	491-7456	1@ \$229.00



PUSH-BUTTON LOW-SPEED HEADS – DENTSPLY MIDWEST

- Use with Shorty® and Rhino XP® motors
- Smooth, consistent torque at all speeds
- Reduced vibration to the patient
- Sterilizable, durable internal components for reliable, long-lasting performance

Friction Grip Head	491-5005	1@ \$399.00
Latch Type Head	491-5013	



RHINO® XP SINGLE-SPEED AIR MOTOR – DENTSPLY PROFESSIONAL

- 0-8000 rpm with forward and reverse operation
- Smooth and easy start-up
- Lightweight for better handling and comfort
- Easy attachment of all modular angle system components
- High-torque vane motor with exceptional responsiveness

1/Pkg	042-8748	1@ \$1038.00
-------	----------	---------------------



SHORTY® AIR MOTOR – DENTSPLY PROFESSIONAL

- Available in single-speed (0-6000 rpm) or 2-speed (0-6000 rpm and 0-30,000 rpm)
- Precision control and quiet operation
- Easy attachment of all modular angle components
- Both motors offer forward and reverse operation
- Angled back-end designed to reduce hose drag

Single-Speed Air Motor	042-8664	1@ \$1089.90
2-Speed Air Motor	042-8706	1@ \$1165.10



RDH FREEDOM HYGIENE HANDPIECE KITS – DENTSPLY MIDWEST

- Maintains neutral hand position with balanced design
- Smooth, 360° swivel designed for increased maneuverability
- Increases comfort with lightweight design and non-slip grip
- Autoclavable metal outer sheath for enhanced infection control

RDH Freedom Premium Kits

1 inner module, 3 metal outer sheaths, 1 charging base, 1 cordless foot pedal, 1 handpiece cradle, 1 (25 piece) Disposa-Shield trial pack, 1 power supply and Y-cable adapter, 1 instruction manual and 20 NUPRO Freedom® Disposable contra prophylaxis angles

Lavender	039-0567	1@ \$1241.00
Pink	039-0583	

RDH Freedom Basic Kits

1 inner module, 1 metal outer sheath, 1 charging base, 1 cordless foot pedal, 1 handpiece cradle, 1 (25 piece) Disposa-Shield trial pack, 1 power supply, 20 NUPRO Freedom DPAs and 1 instruction manual

Lavender	042-8045	1@ \$795.00
Pink	042-8037	

Featherweight Package

1 hose installation kit, 1 RDH Featherweight hose and 1 RDH hygienist handpiece

Beige Hose	042-8052	1@ \$719.00
Gray Hose	042-8060	

HANDPIECES



MIDWEST® AUTOMATE™ HANDPIECE MAINTENANCE SYSTEM – DENTSPLY PROFESSIONAL

- 4-port automated handpiece maintenance system
- Precise and consistent cleaning, lubricating and expelling for increased efficiency
- Flexibility for use with a wide range of handpieces
- Effectively removes debris to promote lasting handpiece turbine life
- Reduces downtime
- Creates less mess than traditional handpiece maintenance for quick cleanup

1 air tube wall connector, 1 power connection, 1 Midwest automated E-type maintenance coupler, 1 Midwest low speed attachment adapter, 1 Midwest Plus Aerosol spray can, 1 Midwest Tradition/Quiet-Air quick connect maintenance adapter and maintenance system absorbent pads

Package.....042-8011 1@ **\$2922.30**

MIDWEST® AUTOMATE™ HANDPIECE MAINTENANCE SYSTEM ADAPTERS – DENTSPLY PROFESSIONAL

Connects handpieces to the Midwest® Automate Handpiece Maintenance System to clean and lubricate.

Bien-Air Highspeed Type Maintenance Coupler	
1/Pkg.....491-8918	1@ \$164.95
KaVo® Connex/ MULTiflex® Type Maintenance Coupler	
1/Pkg.....491-8876	1@ \$99.95
KaVo Intra Head Type Maintenance Coupler	
1/Pkg.....491-8868	1@ \$129.95
Midwest Automate E-Type Maintenance Coupler	
1/Pkg.....491-8850	1@ \$99.95
Midwest® Lowspeed Attachment Adapter	
1/Pkg.....491-8843	1@ \$164.95
Midwest® Tradition®/Quiet-air® Quick Connect Maintenance Adapter	
1/Pkg.....491-8835	1@ \$165.95
NSK Highspeed Type Maintenance Coupler	
1/Pkg.....491-8900	1@ \$164.95
Sirona T1 E-type Lowspeed Attachment Type Maintenance Adapter	
1/Pkg.....491-8926	1@ \$164.95
Sirona T1 Highspeed Type Maintenance Coupler	
1/Pkg.....491-8934	1@ \$164.95
Star® Highspeed Type Maintenance Coupler	
1/Pkg.....491-8892	1@ \$102.95
W&H Highspeed Type Maintenance Coupler	
1/Pkg.....491-8884	1@ \$164.95
Midwest Automate Absorption Pads	
6/Pkg.....491-8942	1@ \$48.25

J Morita



TWINPOWER TURBINE HANDPIECES – J. MORITA USA

- Superior cutting power with unique, double-impeller technology
- Zero suck back in air line for excellent contamination control
- Quiet operations
- Ceramic bearings
- Push button chuck

45 High Speed Air Handpiece

- Maximum access and visibility with a compact, 45° head
 - High torque; up to 20 watts of power
 - Safe, rearfacing exhaust vents
- | | | |
|-----------------------|----------|---------------------|
| PAR-4HEX-45..... | 038-7928 | 1@ \$864.05 |
| PAR-4HEX-B-45..... | 038-7951 | 1@ \$691.95 |
| PAR-4HEX-O-45..... | 038-2408 | 1@ \$1013.35 |
| PAR-4HEX-O-KV-45..... | 038-2416 | 1@ \$1014.80 |

Standard High Speed Air Handpiece

- Head height 13.2 mm
 - Up to 22 watts of power
 - Balanced constant torque
- | | | |
|--------------------|----------|---------------------|
| PAR-4HEX-B..... | 038-2622 | 1@ \$515.15 |
| PAR-4HEX-O..... | 037-8653 | 1@ \$1177.10 |
| PAR-4HEX-O-KV..... | 037-8687 | |
| PAR-4HEX-O-NK..... | 037-8695 | |
| PAR-4HEX-O-SR..... | 037-8661 | |
| PAR-4HEX-O-WH..... | 037-8679 | |

UltraE High Speed Air Handpiece

- Small head allows for improved mirror positioning
 - Head height of 12.7 mm
 - Up to 20 watts of power
 - Accepts standard sized burs
- | | | |
|---------------------|----------|---------------------|
| PAR-4HUOX-O..... | 038-2358 | 1@ \$1019.20 |
| PAR-4HUOX-O-KV..... | 038-2366 | |
| PAR-4HUOX-O-NK..... | 038-2374 | |
| PAR-4HUOX-O-SR..... | 038-2382 | |
| PAR-4HUOX-O-WH..... | 038-2390 | |

UltraM High Speed Air Handpiece

- Smallest head of the TwinPower Turbine product line
 - Delivers 18 watts of power
 - Accepts burs up to 20 mm
- | | | |
|---------------------|----------|---------------------|
| PAR-4HUMX-O..... | 038-2309 | 1@ \$1019.20 |
| PAR-4HUMX-O-KV..... | 038-2317 | |
| PAR-4HUMX-O-NK..... | 038-2325 | |
| PAR-4HUMX-O-SR..... | 038-2333 | |
| PAR-4HUMX-O-WH..... | 038-2341 | |

KaVo Dental

INTRAMATIC® AIR OR ELECTRIC HANDPIECES – KAVO DENTAL

- 19ES is used for disposable prophylaxis heads only
- 23ES and 80ES have 100° head angle
- Durable hygienic coating with textured surface for easy grip

High Speed, Contra Angle

23ES, 1:3.....038-4453 1@ **\$999.00**

Low Speed, Contra Angle

80ES, 1:1.....038-4610 1@ **\$619.00**

Low Speed, Straight

19ES, 7.4:1.....038-5393 1@ **\$449.55**



COMFORTDRIVE HIGH SPEED ELECTRIC 200 XDR HANDPIECE – KAVO DENTAL

- Speed range 30,000 to 200,000 rpm
- Integrated micromotor with 30 W power
- Cellular optic
- Ceramic ball bearings
- Exchangeable microfilter
- Only connects to the KaVo COMFORTbase coupling

1/Pkg.....038-4214 1@ **\$1473.95**

3/Pkg.....038-3802 1@ **\$3338.65**



EXPERTTORQUE® LUX HIGH SPEED AIR HANDPIECES – KAVO DENTAL

- Standard head (18 watts) replaces 659BR
- Miniature head (15 watts) replaces 635BR
- 100° head angle
- Dent resistant heads enhance reliability and durability
- Innovative design and expert grip
- Ceramic bearing
- Quiet and powerful
- MULTiflex LUX connection
- Push button autochuck
- 3rd generation cellular optics

Midwest Connection

E675 LMW, Mini Head.....038-4362 1@ **\$1029.45**

MULTiflex LUX Connection

E675 L, Mini Head.....037-3191 1@ **\$1033.90**

E679 L, Standard Head.....037-3209



MASTERTORQUE® HIGH SPEED AIR HANDPIECES – KAVO DENTAL

- M8900 L (23 watts) replaces 6800BR
- M4500 L (17 watts) replaces 4500BR
- Ceramic bearings
- Quietest at 57-59 decibels
- Field replaceable water filter
- Plasmatec coating
- New angles for improved access
- Push button autochuck
- 3rd generation cellular optics with 5-year warranty
- Automatic drive air adjustment – use at minimum drive air pressure 38 psi (2.6 bar)
- MULTiflex LUX connection

M4500 L, Mini Head.....	037-3217	1@ \$1380.85
M8700 L, Mini Head.....	041-3872	
M8900 L, Standard Head.....	037-3274	



SMARTTORQUE® HIGH SPEED AIR HANDPIECES – KAVO DENTAL

- Chuck strength of 30 N for no bur-slip, concentric cutting and smoother performance
- Standard head (16 watts) features 4-port spray
- Mini head (13 watts) has single port spray
- Optimum balance between speed and torque
- 40 psi drive pressure
- New angular design with ceramic bearings
- Operates at low noise level and frequency
- Balanced turbine cartridges

Fiber Optic

S615 L, Mini Head.....	037-3290	1@ \$651.60
S619 L, Standard Head.....	037-3282	

Non-Optic

S605 C, Mini Head.....	037-3258	1@ \$493.30
S609 C, Standard Head.....	037-3241	
S619 C, Standard Head.....	038-4602	1@ \$580.90



EXPERTMATIC® ATTACHMENTS – KAVO DENTAL

- Universal E-type connection
- Dent resistant stainless steel heads
- Superior chuck strength of 30 N
- EXPERTgrip surface for better handling and ergonomics
- Internal air/water coolant on models with a spray port
- E25L has a smaller head size (14.7 mm height and 10.2 mm diameter) and a replaceable microfilter to limit clogging of the spray channels
- E61C is used for interproximal polishing, stripping and preparation

Contra Angle, Cellular Optic

E25L.....	038-4305	1@ \$1395.95
E20L.....	038-4339	1@ \$1340.00
E15L.....	038-4370	1@ \$1139.95

Contra Angle, Non-Optic

E25C.....	038-4354	1@ \$1188.35
E20C.....	038-4503	1@ \$932.50
E15C.....	038-4495	1@ \$935.50
E31C.....	038-4404	1@ \$1101.50
E61C.....	038-4420	1@ \$1008.75

Straight, Non-Optic

E10C.....	038-4545	1@ \$796.70
-----------	----------	--------------------



MASTER SERIES LOW SPEED INTRAFLEX 2 ATTACHMENTS – KAVO DENTAL

Contra Angle Low Speed

- Reduction 7.4:1
- Speed range up to 5000 rpm

2329LN.....	038-4198	1@ \$1560.30
-------------	----------	---------------------

Cellular Optic, Contra Angle with Integrated Motor and Fixed Head

- Increase 1:4
- Speed range up to 140,000 rpm
- Internal air/water coolant
- MULTiflex LUX connection
- Friction grip push button autochuck
- 3-port spray
- Use at minimum drive air pressure
- 43 psi (2.9 bar)

2325LN.....	038-4073	1@ \$1727.50
-------------	----------	---------------------

Cellular Optic, Contra Angle with Integrated Motor

- Transmission 1:1
- Speed range up to 35,000 rpm
- Internal air/water coolant
- MULTiflex LUX connection
- Use at minimum drive air pressure 43 psi (2.9 bar)
- Fits INTRA LUX heads

2320LN.....	039-8552	1@ \$1389.05
-------------	----------	---------------------

Cellular Optic, Contra Angle with Integrated Motor

- Reduction 2.7:1
- Speed range up to 13,000 rpm
- Cellular optic
- Internal air/water coolant
- MULTiflex LUX connection
- Use at minimum drive air pressure 43 psi (2.9 bar)
- Fits INTRA LUX heads

2307LN.....	039-8560	1@ \$1471.85
-------------	----------	---------------------

Non-Optic, Straight with Integrated Motor

- Reduction 2.7:1
- Speed range up to 13,000 rpm
- Non-optic
- Internal air/water coolant
- MULTiflex connection
- For handpiece and contra angle burs
- Comes with bur stop
- Maintain with chuck in closed position 43 psi

2313LN.....	038-4321	1@ \$1179.20
-------------	----------	---------------------



GENTLEPOWER® LUX ATTACHMENTS – KAVO DENTAL

- Work on electric or air motors that have a universal E-type connection
- Cellular optic
- Internal air/water coolant
- Plasmatec hygienic coating
- Improved angulation

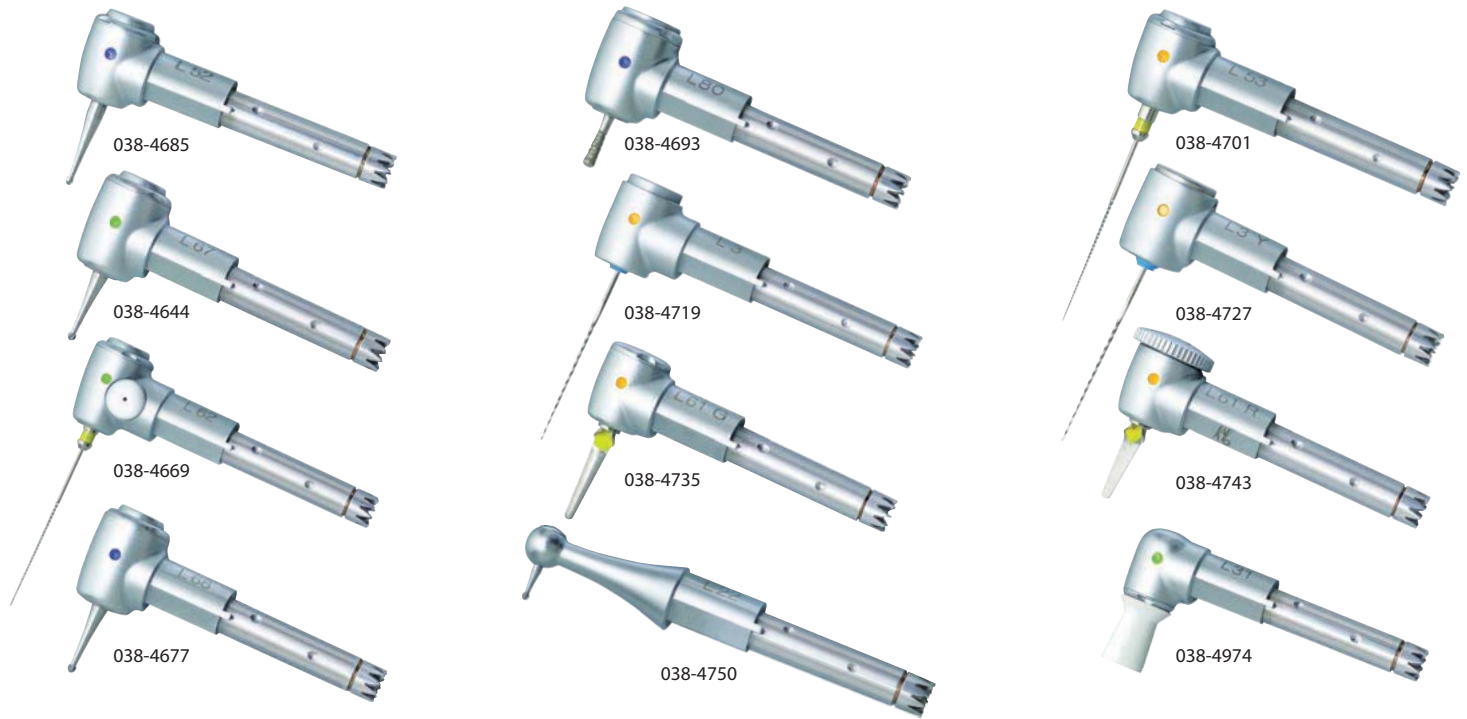
Contra Angle, High Speed

25LPR, 1:5, 1/Pkg.....	037-3233	1@ \$1459.00
25LPR, 1:5, 3/Pkg.....	038-3794	1@ \$3433.70

Straight

10 LP, 1:1, 1/Pkg.....	038-4313	1@ \$1369.00
------------------------	----------	---------------------

HANDPIECES



INTRA LUX ATTACHMENT HEADS – KAVO DENTAL

Blue, 1:1

- Push-button autochuck
 - L68 replaces 68LU
 - L80 replaces 80LD
 - L52 used for mini latch burs (16 mm) and ideal for treatment in narrow areas or when treating children
- | | | |
|-----------------------------|----------|--------------------|
| 68 LU Latch Head..... | 038-4776 | 1@ \$609.00 |
| L52 Mini Latch Head..... | 038-4685 | 1@ \$595.00 |
| L68 B Latch Head..... | 038-4677 | |
| L80 Friction Grip Head..... | 038-4693 | |

Green, Reduction

- L31 used for snap-on or screw-in cups or brushes and replaces 31LR
 - L62 used for latch type endo files or latch burs and replaces 62LDN
 - L66B used for latch type endo files or latch burs and replaces 66LU
 - L67 used for latch burs and replaces 67LH
- | | | |
|----------------------------|----------|--------------------|
| L31 Prophy Head, 2:1..... | 038-4974 | 1@ \$320.00 |
| L62 Latch Head, 10:1..... | 038-4669 | 1@ \$615.00 |
| L66 B Latch Head, 3:1..... | 038-4651 | |
| L67 Latch Head, 2:1..... | 038-4644 | |

ELECTROTORQUE TLC LUX WITH KL703 BRUSHLESS ELECTRIC MOTOR KIT – KAVO DENTAL

- To be used with KaVo GENTLEpower LUX LP or other E-type attachments
- Performs exact rotary endo procedures safely with torque control, auto-reverse and cellular optic advantages
- Remote mountable faceplate for convenient mounting options and easy to access controls
- KL703 is one of the world's shortest and lightest brushless electric motors
- Motor speed range 100-40,000 rpm (with various attachments 2-200,000 rpm)
- Endodontic torque 0.4-8.0 Ncm
- Motor torque 3 Ncm

1 ELECTROTorque TLC module with 6.5 cable, 1 ELECTROTorque TLC transformer with connector, 1 electric tubing, 1 KL703 brushless electric motor and 1 mounting bracket with hardware
 Package.....037-3308 **1@ \$3489.00**

Yellow, Specialty, Reduction Head

- Speed max. 3000 rpm
 - The drive speed is converted into an oscillating movement of about 90°
 - To be used with hand NiTi files
 - Push-button chuck
 - Use with KaVo 29LP shank
 - Replaces 3LD
- | | | |
|---------|----------|--------------------|
| L3..... | 038-4719 | 1@ \$575.00 |
|---------|----------|--------------------|

Yellow, Specialty, Reduction Head

- Speed max. 3000 rpm
 - The drive speed is converted into a stroke movement of about 0.4 mm
 - To be used with hand NiTi files
 - Push-button chuck
 - Use with KaVo 29LP shank
 - Replaces 3LDSY
- | | | |
|-----------|----------|--------------------|
| L3 Y..... | 038-4727 | 1@ \$575.00 |
|-----------|----------|--------------------|

Yellow, Specialty, Micro Head

- Transmission ratio 1:1
 - Round drill size 2, also fits KaVo round
 - Drill size Ø or U-inverted cone burs sizes 2 and 0
 - Maximum operating speed 20,000 rpm
 - Microhead with extremely small dimensions for microsurgical procedures such as apicoectomies (through bone window)
- | | | |
|----------|----------|--------------------|
| L22..... | 038-4750 | 1@ \$575.00 |
|----------|----------|--------------------|

Yellow, Specialty, Oscillating Head

- Drive speed is converted into an oscillating movement of about 90°
 - Used with latch type endo files
 - Max speed 3000 rpm
 - Use with KaVo 29LP shank
 - Also for polishing attachments (2.35 mm diameter)
- | | | |
|----------|----------|--------------------|
| L53..... | 038-4701 | 1@ \$575.00 |
|----------|----------|--------------------|

Yellow, Specialty, Ortho/Perio/Endo Head

- To be used with Intensiv files (Proxoshape)
 - Free rotation
 - For interproximal cleaning, polishing and preparation
 - Buffered stroke (protects soft tissue)
 - Elevation 0.8 mm
 - Includes file ejector tool (0410.0634)
 - Replaces 61LG
- | | | |
|------------|----------|--------------------|
| L61 G..... | 038-4735 | 1@ \$575.00 |
|------------|----------|--------------------|

Yellow, Specialty, Ortho/Perio/Endo Head

- To be used with Intensiv files
 - 36 individual locking positions
 - For interproximal polishing, stripping and preparation
 - 10,000 rpm optimal drive speed
 - 20,000 rpm maximum drive speed
 - Buffered stroke (protects soft tissue)
 - Elevation 0.8 mm
 - Includes file ejector tool (0410.0634)
 - Recommended use with 7LP (on electric motor); 20LP/CH or INTRAflex LUX 2307LN
 - Replaces 61LRG
- | | | |
|------------|----------|--------------------|
| L61 R..... | 038-4743 | 1@ \$575.00 |
|------------|----------|--------------------|



COMFORTDRIVE HANDPIECE SYSTEMS – KAVO DENTAL

- Speed range 30,000 to 200,000 rpm
- Integrated micromotor with 30 W power
- Cellular optic
- Ceramic ball bearings
- Exchangeable microfilter
- Only connects to the KaVo COMFORTbase coupling

System with 1 Handpiece

1 (200 XDR) COMFORTdrive handpiece, 1 COMFORTbase coupling and 1 COMFORTtronic control box

Package..... 038-3893 **1@ \$3029.45**

Full Operatory Package with 3 Handpieces

3 (200 XDR) COMFORTdrive handpieces, 1 COMFORTbase coupling and 1 COMFORTtronic control box

Package..... 038-3729 **1@ \$4938.45**

ELECTROTORQUE PLUS LUX MOTOR KIT – KAVO DENTAL

- Air/electric conversion kit for any delivery unit
- To be used with KaVo GENTLEpower LUX LP or other E-type attachments
- Superior power and torque
- Unique brushless motor (no brushes to exchange – no downtime)
- Quieter than brush motors
- 2 programmable speed settings
- Water spray can be adjusted at motor
- Motor speed range 100-40,000 rpm (with various attachments 2-200,000 rpm)
- Motor torque 3 Ncm
- Integrated light and coolant
- Forward/reverse speed adjustment
- Small, easy to install control box
- Unit can be calibrated to existing air pressure for optimized performance
- Easy handpiece maintenance
- Motor is autoclavable
- Includes KL703 – one of the shortest and lightest electric motors with exclusive SAFEdrive and MULTI LED light

1 control box, 1 motor and tubing

Package..... 039-9519 **1@ \$2474.10**

MULTIFLEX HANDPIECE COUPLERS – KAVO DENTAL

Couplings are used with KaVo Expert Series, Master Series, Multi LED and Smart Series high speed handpieces.

4 Hole

457 039-9048 **1@ \$265.00**

465 RN 038-4966 **1@ \$351.00**

5 Hole

1390 039-9089 **1@ \$359.00**

6 Pin

460LE 037-2714 **1@ \$323.00**

460LED 037-3225 **1@ \$372.00**

465LED 038-4917 **1@ \$472.00**

465LRN 039-9063 **1@ \$415.00**

KaVo MULTI LED Replacement Bulb

1/Pkg 040-6082 **1@ \$115.40**



QUATTROCARE PLUS HANDPIECE MAINTENANCE SYSTEM – KAVO DENTAL

- Designed to clean, lubricate and purge instruments with the simple push of a button
- Increases life of handpiece
- Can be used with most high- and low-speed handpieces, air-driven scalers and air motors
- Easy loading and operation
- Less wear, fewer repairs, less staff down time and smoother operation
- Complete handpiece maintenance is available with a chuck care feature

Model 2401A..... 037-3266 **1@ \$2915.05**

QUATTROCARE PLUS ADAPTERS – KAVO DENTAL

Connects the handpieces to the QUATTROcare Plus maintenance system to be cleaned, purged and lubricated.

For Bien-Air High Speed Handpieces

1/Pkg 038-5336 **1@ \$168.95**

For COMFORTdrive Handpieces

1/Pkg 038-5120 **1@ \$98.95**

For INTRA Heads

1/Pkg 412-8021 **1@ \$136.25**

For INTRAmatic Low Speed and Surgical Attachments

1/Pkg 412-8013 **1@ \$74.50**

For KaVo Cellular Optic High Speed, SONICflex Air Scaler and INTRAFlex Low Speeds

1/Pkg 412-8005 **1@ \$73.80**

For Midwest Shorty Motor

1/Pkg 038-5310 **1@ \$168.95**

For NSK High Speed Handpieces

1/Pkg 038-5328 **1@ \$168.95**

For Sirona Electric T1 Handpieces

1/Pkg 038-5302 **1@ \$168.95**

For W&H High Speed Handpieces

1/Pkg 038-5344 **1@ \$168.95**

NSK America



S-MAX M SERIES HIGH SPEED AIR HANDPIECES – NSK AMERICA

- A slim, ergonomic design and unrivalled cutting performance with excellent visibility
- Clean head system
- Cartridge replacement
- Quattro water spray
- NSK "ISB" integrated shaft bearings
- Slim design with stainless steel body



Miniature Head

M500, Non-Optic 043-3177 **1@ \$607.40**

M500K, Non-Optic 043-3193 **1@ \$579.20**

M500KL, Optic 044-5239 **1@ \$669.50**

M500L, Optic 044-5213 **1@ \$703.15**

Standard Head

M600, Non-Optic 043-3185 **1@ \$579.80**

M600K, Non-Optic 043-3375 **1@ \$607.40**

M600KL, Optic 044-5247 **1@ \$700.00**

M600L, Optic 044-5221 **1@ \$699.00**



S-MAX PICO HIGH SPEED AIR HANDPIECES – NSK AMERICA

- Innovative air turbine with ultra mini head and super slim body shape
- Wider view of the operational field and greater flexibility for dexterity
- Stainless steel body
- ISB turbine
- Cellular glass optics
- Ceramic bearings
- Clean head system
- Single spray
- Comes with 1 accessory bur set



S-Max pico

Use with NSK Coupler

1/Pkg 044-5338 **1@ \$793.55**

S-Max pico BLEd

Use with Bien-Air® Unifix® Coupler

1/Pkg 038-0840 **1@ \$831.40**

S-Max pico KL

Use with KaVo® LED Coupler

1/Pkg 044-5346 **1@ \$795.85**

S-Max pico MWL

Use with Midwest Coupler

1/Pkg 038-2135 **1@ \$797.00**

S-Max pico SL

Use with Sirona® LED Coupler

1/Pkg 038-0832 **1@ \$795.85**

S-Max pico STL

Use with StarDental Coupler

1/Pkg 038-2127 **1@ \$795.85**

S-Max pico WHL

Use with W&H RotoQuick RA Coupler

1/Pkg 038-2119 **1@ \$797.00**

HANDPIECES

TI-MAX X450 SERIES HIGH SPEED AIR HANDPIECES – NSK AMERICA

- 45° angle head designed to access hard-to-reach areas
- Solid titanium body and Duracoat
- Cellular glass optics
- 21 watts of cutting power
- Ceramic bearings
- Clean head system
- Push button chuck

Non-Optic

X450, NSK Couplings.....038-2937 **1@ \$654.70**
 X450M4, 4 Hole.....038-2945

Optic

X450L, NSK Coupling.....038-2952 **1@ \$842.25**
 X450 5H, 5 Hole.....038-3000
 X450KL, KaVo LED Coupling038-2960
 X450MWL, Midwest Coupling..038-2986
 X450WHL, W&H Roto Quick.....038-2978
 X450WLED, W&H Roto Quick....038-3018 **1@ \$935.80**



TI-MAX Z SERIES HIGH SPEED AIR HANDPIECES – NSK AMERICA

- Ceramic bearings
- Clean head system
- Push button chuck
- Interchangeable cartridge
- Microfilter
- Titanium
- Duragrip

Miniature Head

Z800L.....013-2118 **1@ \$1262.95**
 Z800KL.....013-2548
 Z800WHL.....038-3042
 Z800MWL.....038-3067
 Z800STL.....038-3083
 Z800WL.....038-3109 **1@ \$1352.85**

Standard Head

Z900L.....013-2530 **1@ \$1261.10**
 Z900KL.....013-2555
 Z900WHL.....038-3059
 Z900MWL.....038-3075
 Z900STL.....038-3091
 Z900WL.....038-3117 **1@ \$1350.90**



038-2994



043-2997



043-3029



043-3037



043-3003



043-3557



043-3565



043-3011



043-3151

TI-MAX X SERIES HIGH SPEED AIR HANDPIECES – NSK AMERICA

- Clean head system
- NSK "ISB" integrated shaft bearings
- Quattro water spray
- Pressure regulating valve
- NSK dual air jet
- Solid titanium body
- NSK Duracoat
- LED light

Standard Head, Connects to Star Dental type

X450STL, Standard Head.....038-2994 **1@ \$842.25**

Miniature Head

X500L.....043-2997 **1@ \$980.65**

Miniature Head, Connects to KaVo® Multiflex®

X500KL.....043-3029 **1@ \$892.75**

Standard Head

X600L.....043-3003 **1@ \$980.65**

Standard Head, Connects to KaVo® Multiflex®

X600KL.....043-3037 **1@ \$892.00**

Standard Head, Connects to W&H® Roto Quick® RA

Type

X600WHL.....043-3557 **1@ \$894.00**

Standard Head, Connects to W&H® Roto Quick® RQ

Type

X600WLED.....043-3565 **1@ \$982.50**

Torque Head

X700L.....043-3011 **1@ \$894.00**

Torque Head, Connects to KaVo® Multiflex®

X700KL.....043-3151 **1@ \$894.00**



043-3433



043-3425



043-3441

S-MAX M SERIES ELECTRIC ATTACHMENT – NSK AMERICA

- Ceramic bearings
- Ergonomic design with stainless steel body
- Cellular glass optics
- Clean head system
- Quiet and no vibration

Contra Angle, Single Spray

M25, Non-Optic, 1:1.....038-1202 **1@ \$599.00**

M25L, Optic, 1:1.....043-3433 **1@ \$834.45**

Contra Angle, Quattro Spray

M95, Non-Optic, 1:5.....038-1194 **1@ \$799.00**

M95L, Optic, 1:5.....043-3425 **1@ \$964.70**

Straight, Single Spray

M65, Non-Optic, 1:1.....043-3441 **1@ \$599.00**



043-3581



043-3417



038-0931



038-0949



038-0956

TI-MAX Z SERIES ELECTRIC CONTRA ANGLE ATTACHMENTS – NSK AMERICA

- The highest durability in its class (optimal gear shape and special DLC coating)
- The smallest head and slimmest body in the world
- Superior visibility and better access
- Amazingly quiet operation
- Excellent ergonomic shape
- Microfilter

Mini Head, For FG Burs

Z85L, 1:5.....043-3581 **1@ \$1499.00**

Standard Head, For FG Burs

Z95L, 1:5.....043-3417 **1@ \$1510.45**

Standard Head, For CA Burs

Z25L, 1:1.....038-0931 **1@ \$1349.00**

Z15L, 4:1.....038-0949 **1@ \$1399.00**

Z10L, 16:1.....038-0956



TI-MAX X SERIES HIGH SPEED AIR ATTACHMENTS – NSK AMERICA

- Elegant, yet ergonomic, design
- Duracoat® coating is an innovative surface treatment to optimize durability and scratch resistance
- Titanium body
- Cellular glass optics
- Clean head system
- Ceramic bearings
- Quiet and no vibration
- Solid titanium body

Contra Angle, Single Spray

X10L, Optic, 16:1	038-0980	1@ \$1199.00
X15L, Optic, 4:1	038-0964	1@ \$1099.00
X20L, Optic, 1:1	038-0972	1@ \$1049.00
X25L, Optic, 1:1	044-5163	1@ \$1041.45
X85L, Optic, 1:5	043-3573	1@ \$1290.30

Contra Angle, Quattro Spray

X95L, Optic, 1:5	044-5171	1@ \$1199.00
------------------------	----------	---------------------

Straight, Single Spray

X65, Non-Optic, 1:1	038-1178	1@ \$749.00
X65L, Optic, 1:1	044-5197	1@ \$949.00



NLX NANO MICROMOTOR – NSK AMERICA

- LED illumination
- No vibration
- Low power consumption
- Cord is not included
- 3.4 Ncm torque
- Speed: 2000-40,000 rpm

1/Pkg.....	038-1236	1@ \$1122.65
------------	----------	---------------------



TI-MAX X SERIES HANDPIECE COUPLINGS – NSK AMERICA

- Stainless steel body
- Titanium coating
- Non-retraction valve
- Light included in coupling

4 Hole

FM-CL-M4-T.....	044-5023	1@ \$201.20
-----------------	----------	--------------------

5 Hole

PTL-CL-FV-T	044-5288	1@ \$229.00
-------------------	----------	--------------------

With water volume adjuster

KCL-5.....	038-0774	1@ \$269.00
------------	----------	--------------------

6 Pin

PTL-CL-4HV	043-3268	1@ \$214.25
------------------	----------	--------------------

For NSK

PTL-CL-LED	044-5262	1@ \$349.00
------------------	----------	--------------------

With water volume adjuster

KCL-6.....	038-0766	1@ \$269.00
------------	----------	--------------------

For KaVo® MULTiflex® LUX with water volume adjuster

KCL-LED.....	044-5254	1@ \$369.00
--------------	----------	--------------------

For NSK with water volume adjuster

PTL-CL-LED III.....	038-0790	1@ \$399.00
---------------------	----------	--------------------

SciCan



STATIS LOW SPEED ELECTRIC HANDPIECES – SCICAN

- Ergonomically designed for superb handling
- Features low friction bearings for longer life and increased lateral cutting torque
- Low vibration operation
- German engineering
- Connects to E-fitting motor systems

1.1ST.....	045-8026	1@ \$624.00
------------	----------	--------------------

1.5L	045-8075	1@ \$1590.00
------------	----------	---------------------

4.1	045-8042	1@ \$894.00
-----------	----------	--------------------

6.1P	045-8034	1@ \$655.00
------------	----------	--------------------



STATIS HIGH SPEED AIR HANDPIECES – SCICAN

- Ergonomically designed for superb handling
- Low friction bearings for longer life and increased lateral cutting torque
- Non-return valve
- Cellular optics
- Push button autochuck

SL 101.1.....	045-7986	1@ \$1245.85
---------------	----------	---------------------

ML 201.1	045-7994	
----------------	----------	--

STATIS AM 20 AIR MOTOR – SCICAN

- No light
- From 5000 to 20,000 rpm
- Fits 4-hole tubing
- Internal spray coolant
- Variable speed
- Forward/reverse
- E-type connection

1/Pkg.....	045-8018	1@ \$747.40
------------	----------	--------------------



E-STATIS™ HANDPIECE SYSTEM – SCICAN

- Comes equipped with the new and advanced E-Statist SLM (short, LED, micromotor)
- The SLM is 35% shorter and lighter than today's current motors
- The E-Statist Advantage offers a range of customizable settings for both operative and endodontic procedures
- The E-Statist Prep offers customizable settings for up to 8 preparatory procedures
- The touchscreen control is detachable for modular placement

Advantage

1 extension kit, 1 hose connector, 1 power cord and 1 Advantage touchpad

Package.....	038-0204	1@ \$2845.60
--------------	----------	---------------------

Prep

1 extension kit, 1 hose connector, 1 power cord and 1 Prep touchpad

Package.....	038-0584	1@ \$2166.75
--------------	----------	---------------------



STATIS® CONNEX HIGH SPEED HANDPIECE COUPLINGS – SCICAN

- For use with Statist® high speed handpieces
- Anti-reflection valve

Connex GR, 5 Hole.....	045-8083	1@ \$320.00
------------------------	----------	--------------------

Connex L, 6 Pin.....	045-8091	
----------------------	----------	--

Connex LED, 6 Pin.....	038-0576	1@ \$386.00
------------------------	----------	--------------------

HANDPIECES

STATCARE SPRAY HANDPIECE LUBRICANT – SCICAN

- Provides lubrication to help increase the life of dental handpieces
- It cleans and protects turbines, air motors, shanks and heads to ensure long-lasting service



500 ml
6/Pkg.....634-1911 **1@ \$45.95**

STATMATIC PRE-STERILIZATION HANDPIECE MAINTENANCE SPRAY – SCICAN

- Provides lubrication to help prolong the life of dental handpieces



500 ml
6/Pkg.....634-1697 **1@ \$49.45**



STATMATIC AUTOMATIC HANDPIECE MAINTENANCE UNIT – SCICAN

- Cleans and lubricates handpieces quickly and thoroughly
- Automatically cleans and maintains up to 3 handpieces
- 15-second cycle time
- Chuck care system
- Worry Free™ leak stop feature
- Optimal lubricant coverage throughout handpiece
- Compressed-air connection for excess lubricant purging
- Easy spray can insertion
- Can coupling with safety valve

1 handpiece maintenance unit, 2 E-type couplings, 1 multiflex coupling and 1 absorption pad
Model 31.....045-8000 **1@ \$2830.00**

StarDental



430 SERIES HIGH SPEED AIR HANDPIECES – STARDENTAL

- Small head improves overall access and visibility
- Ceramic bearings
- Low noise level reduces possibility of auditory damage and can reduce patient anxiety
- Coaxial water spray optimizes the direction of the spray and water pressure
- Scalloped handle eliminates grooves where debris and bacteria are often harbored
- 430 45° angled head is ideal for endodontic and periodontal procedures

Contra Angle, LubeFree

430 Flex.....038-3679 **1@ \$1029.50**
430K.....047-3553 **1@ \$624.40**
430 SW.....047-3595
430 SWL.....047-3538 **1@ \$945.75**
430 SWL RA.....040-4947 **1@ \$989.35**
430 SW Satin.....038-2143 **1@ \$629.60**
430 SWL Satin.....038-2150 **1@ \$947.15**

Contra Angle, Lubricated

430 Flex.....038-3687 **1@ \$1133.10**
430K.....047-1813 **1@ \$733.30**
430 SW.....047-1821
430 SWL.....047-1847 **1@ \$1085.20**
430 SWL RA.....040-4954 **1@ \$1096.00**

45° Angle, LubeFree

430 SW 45.....038-3034 **1@ \$601.05**
430 SWL 45.....038-3026 **1@ \$803.65**



SOLARA® QT SERIES HIGH SPEED HANDPIECES – STARDENTAL

- 18 watts of power enables strong, fast, controlled cutting
- 40% lighter for less hand fatigue, more durability and more corrosion resistance
- Noise dampening design reduces pitch by 44%
- Smaller head improves overall accessibility and visibility
- Ceramic bearings are available LubeFree or lubricated
- More secure tactile grip than round shaped handpieces

Lubricated.....038-0725 **1@ \$1194.20**
Not Lubricated.....038-0717 **1@ \$1076.80**

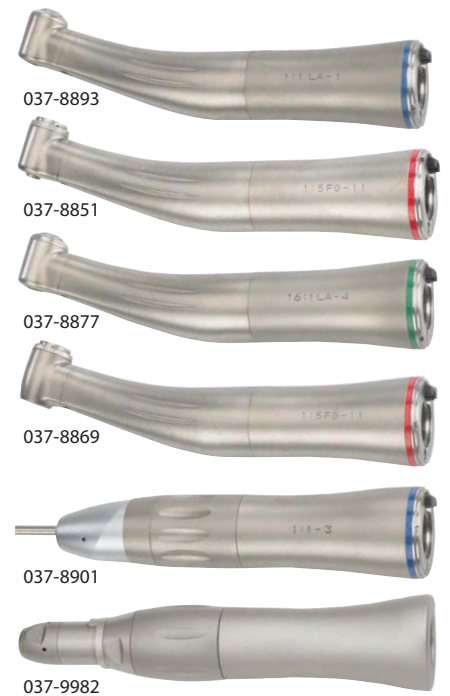


PROPHY STAR® 3 LOW SPEED AIR HANDPIECE – STARDENTAL

- Lube free
- Autoclavable
- Sterilize one grip while using another
- Lightweight anodized aluminum handpiece creates less stress and fatigue for operator
- Choice of 4 grip colors for color coding
- Longer 360° swivel for better control of movement
- Operating speeds between 0 and 5000 rpm
- Operating pressure between 35 to 40 psi
- 4-hole tubing connection
- 4" length and 0.64" head diameter

1 Propy Star® 3 handpiece and 1 of each color grip: blue, aqua, lavender, pink

Package.....047-1771 **1@ \$674.85**



NUTORQUE® ELECTRIC ATTACHMENTS – STARDENTAL

- Lightweight, durable and corrosion-resistant titanium housing
- Exceptional balance to help reduce hand and wrist fatigue
- Quick, simple connections with 360° rotation

Contra Angle, Single Spray

1:1, Standard Head, FG.....037-8885 **1@ \$1001.20**
1:1, Standard Head, Latch Autochuck.....037-8893 **1@ \$1005.70**
1:5, Miniature Head, FG.....037-8851 **1@ \$1106.25**
16:1, Standard Head, Latch Autochuck.....037-8877 **1@ \$985.95**

Contra Angle, Quadruple Spray

1:5, Standard Head, FG.....037-8869 **1@ \$1005.50**

Straight, Single Spray

1:1.....037-8901 **1@ \$805.85**

Doriot, Single Spray

1:1.....037-9982 **1@ \$401.60**

TITAN 3 MOTOR TO ANGLE ADAPTER – STARDENTAL

Connects from the Titan motor or Titan torque multiplier to a Titan head attachment.

1/Pkg.....047-1953 1@ \$217.40



TITAN 3 STRAIGHT NOSE CONE ATTACHMENT – STARDENTAL

- Connects to a Titan 3 motor
- This handpiece attachment is used for grinding and trimming

1/Pkg.....047-3728 1@ \$415.65



TITAN 16:1 CONTRA ANGLE SHANK ATTACHMENT – STARDENTAL

Used with Titan 3 and Titan T motors and head attachments.

1/Pkg.....047-2399 1@ \$415.15



TITAN-T STRAIGHT NOSE CONE ATTACHMENT – STARDENTAL

- Connects to a Titan-T motor
- Used for grinding and trimming

1/Pkg.....047-1870 1@ \$425.05



047-1987



047-1995

TITAN-T MOTOR – STARDENTAL

- Air motors that connect to Titan-T attachments
- Forward and reverse rotation
- Lubrication is not required

5K Motor.....047-1987 1@ \$904.20

20K Motor.....047-1995 1@ \$809.75



047-2092



047-2084



047-2449



047-2456

TITAN 3 HEAD HANDPIECE ATTACHMENTS – STARDENTAL

- Connects to a shank and Titan 3 motor
- The head attachments have mechanisms to hold a bur or prophy cup

10:1 Reduction Angle

Latch.....047-3801 1@ \$259.55

Ball Bearing Angle

Auto Latch, LubeFree.....047-1805 1@ \$353.35

Auto Latch, Lubricated.....047-3843 1@ \$311.45

Autochuck FG, LubeFree.....047-2381 1@ \$353.30

Autochuck FG, Lubricated.....047-3868 1@ \$331.70

Manual Latch, LubeFree.....047-2258 1@ \$258.30

Manual Latch, Lubricated.....047-3827 1@ \$259.15

Manual Chuck FG, LubeFree.....037-7390 1@ \$266.15

Manual Chuck FG, Lubricated.....047-3785 1@ \$259.20

Endodontic Angle

Auto Latch, Lubricated.....037-7408 1@ \$385.80

Manual Latch, Lubricated.....037-7382

Five Star Prophy Angle

LubeFree.....047-2233 1@ \$144.40

Lubricated.....047-3009 1@ \$134.60



047-3801



047-1805



047-3843



047-2381



047-3868



047-2258



047-3827



047-2233



047-3009



037-7366



038-2010



037-7374

TITAN® 3 MOTOR – STARDENTAL

- Forward and reverse rotation
- Lubrication is not required
- Stainless steel

5K Motor

Without Swivel.....047-3041 1@ \$847.60

Fixed Back End without Swivel...037-7366 1@ \$851.65

Use with Extended Straight Attachment.....038-2010 1@ \$829.80

20K Motor

Without Swivel.....047-3058 1@ \$735.40

Fixed Back End without Swivel...037-7374 1@ \$742.45

HIGH SPEED HANDPIECE SWIVEL CONNECTORS – STARDENTAL

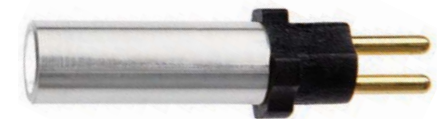
For use with 430 SW handpieces.

2/3 Hole.....047-2084 1@ \$168.15

4 Hole.....047-2092 1@ \$168.65

4 Hole, Fiber Optic.....047-2449 1@ \$310.00

6 Pin, Fiber Optic.....047-2456 1@ \$432.00



LED / 3.3 V / 2 PIN – STARDENTAL

Used with DentalEZ models 430SWL and 430SW.

StarDental

1/Pkg.....639-9778 1@ \$277.80

HANDPIECES



NUTORQUE® COMPLETE SYSTEM – STARDENTAL

- Endo auto-reverse, auto-reverse forward, auto-forward stop
- Torque control
- Range 0.1-3.0 Ncm with capabilities of 384 Ncm
- 5 endo and 3 general procedure customizable presets
- 29 possible gear ratio settings

1 NuTorque control unit, 1 AC adapter, 1 tubing and 1 electric motor

Package.....037-8919 1@ **\$2732.35**



NUTORQUE® LITE – STARDENTAL

- Efficient and effective
- 2 customizable memory presets for ease of use
- Economical and ideal for GP and basic endo
- Push button control panel allows easy viewing and operation of all functions

NuTorque® Lite Complete System

1 NuTorque Lite control unit, 1 AC adapter, 1 tubing and 1 electric motor

Package.....037-9974 1@ **\$1620.70**

NuTorque Lite Control Unit

1 control unit

Package.....038-3349 1@ **\$1388.00**

O-RING KIT FOR ALL SWIVEL CONNECTORS – STARDENTAL

- For use with StarDental swivel connectors
- This kit replaces both O-rings at the front of any swivel
- Green

2 small O-rings and 2 large O-rings

Package.....659-7249 1@ **\$17.40**



SOLARA® HIGH SPEED HANDPIECE CERAMIC BEARING TURBINE – STARDENTAL

Fits Solara and all 430 Series handpieces.

LubeFree.....639-8499 1@ **\$455.00**

Lubricated.....639-8457 1@ **\$529.00**



STARBRIGHT® LED SWIVEL – STARDENTAL

- For use with DentaleZ high speed handpieces
- Cool white neutral daylight color
- LED has over 10 times the life of a halogen bulb
- Compatible with any 6-pin (ISO Type C) tubing
- Autoclavable

1/Pkg.....038-0188 1@ **\$490.00**



STARBRIGHT QUAD LAMP CONTROL – STARDENTAL

- ISO/C (6-pin) users can use the StarBright® power
- Increases light output with its advanced xenon-halogen lamp technology
- The switching power supply uses approximately 50% less power
- Energy efficient switching power supply
- Automatic light delay (10 seconds)
- Adjustable illumination level
- Adjustable voltage setting (factory preset to 3.3 V)
- Can control up to 4 fiber optic handpieces and curing light
- New controller is half the size of previous version

Control Unit Only

1 StarBright control unit

Package.....038-3430 1@ **\$302.00**

Control Unit and Power Supply

1 StarBright control unit and 1 (115 V) power supply

Package.....037-9990 1@ **\$579.00**

Control Unit and International Power Supply

1 StarBright control unit, 1 (115 V) power supply and 1 international cord set

Package.....038-3513 1@ **\$598.00**



STEEL BEARING AUTOCHUCK REPLACEMENT KIT – STARDENTAL

The steel bearing autochuck replacement kit is a replacement bearing for 430 Series and Solara® Series high speed handpieces.

1/Pkg.....639-8507 1@ **\$348.00**

TITAN® LATCH ANGLE CARTRIDGES – STARDENTAL

- Reduces maintenance time and the high cost of repeated lubrication
- Minimizes operator downtime and reduces costs relative to other handpieces
- Reduces tubing drag for optimum operator comfort, and enables quick disconnection of the handpiece for sterilization
- Less likely to stall under higher torque requirements than other low speed motors
- High speed

1/Pkg.....659-7298 1@ **\$122.95**



047-2068

047-2050

TITAN® LOW SPEED MOTOR SWIVELS – STARDENTAL

For use with Titan® low speed motor systems.

2 Hole.....047-2068 1@ **\$205.00**

4 Hole.....047-2050



TITAN SW SWIVEL AND TURBINE END CAP TIGHTENING WRENCH – STARDENTAL

Used with 430 Series and Solara Series handpieces.

1/Pkg.....649-7952 1@ **\$15.50**

TITAN TORQUE MULTIPLIERS – STARDENTAL

For use with Titan-T motor or Titan 3 motor low speed LubeFree system.

Titan 3.....047-3744 1@ **\$244.00**

Titan-T.....037-7630 1@ **\$250.00**



VACUUM TUBE / 7 W / 5.5 V / T1.75 / SPECIAL BASE – STARDENTAL

Used with StarDental handpiece for quick connect swivel.

2/Pkg.....639-9760 1@ **\$142.95**

CLEANING WIRE – STARDENTAL

Cleaning wire is used to clean a handpiece swivel by inserting the wire into the water tube and moving back and forth to loosen debris at blockage.

2/Pkg.....659-7116 1@ **\$9.50**