
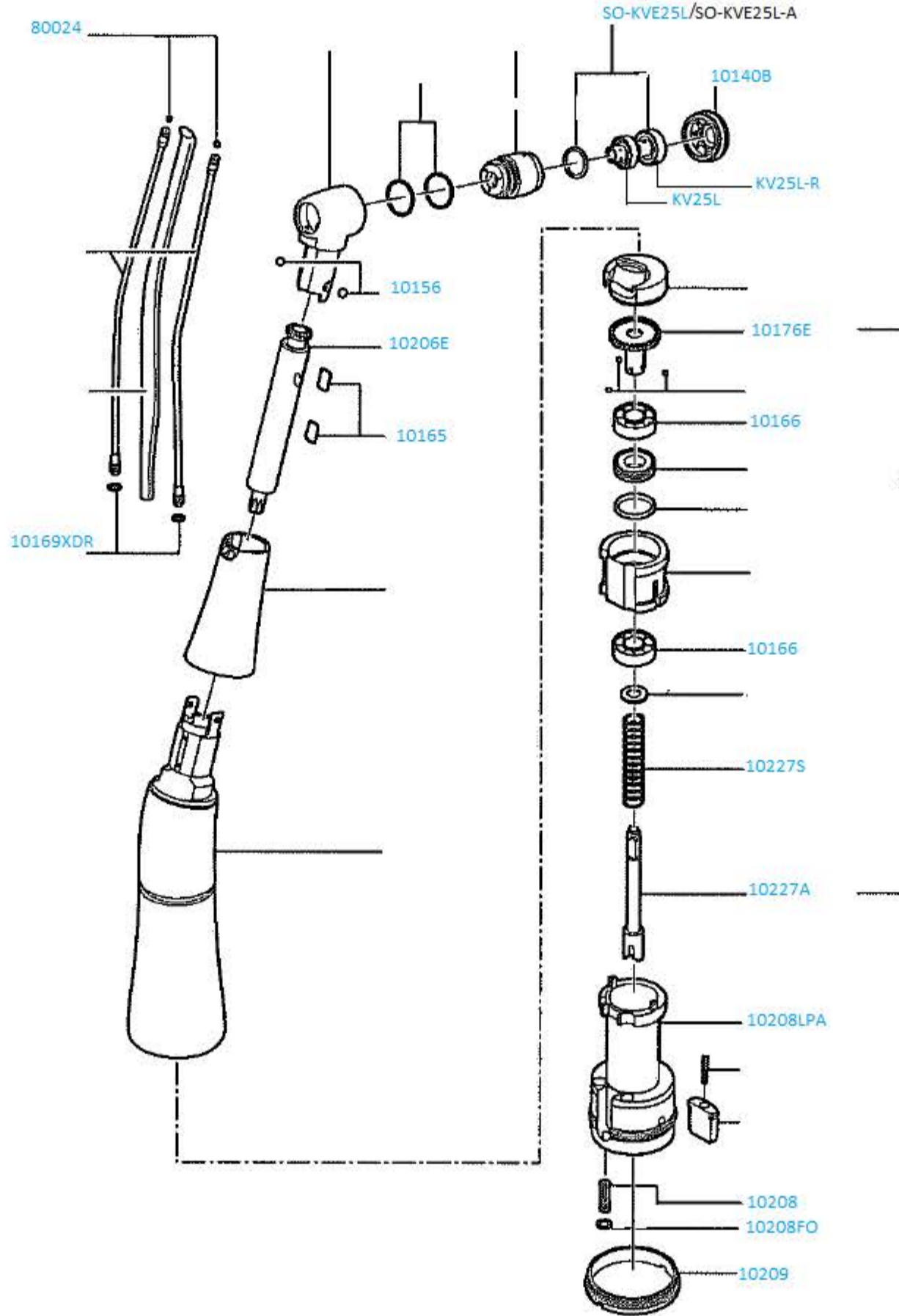


09/12	Verk.-Nr. EXPERTmatic E25 L Mat.-Nr. 1.007.5550 ab SN 12-1016616	 KaVo. Dental Excellence.
-------	--	---



1.008.6794 kb 20120913~06