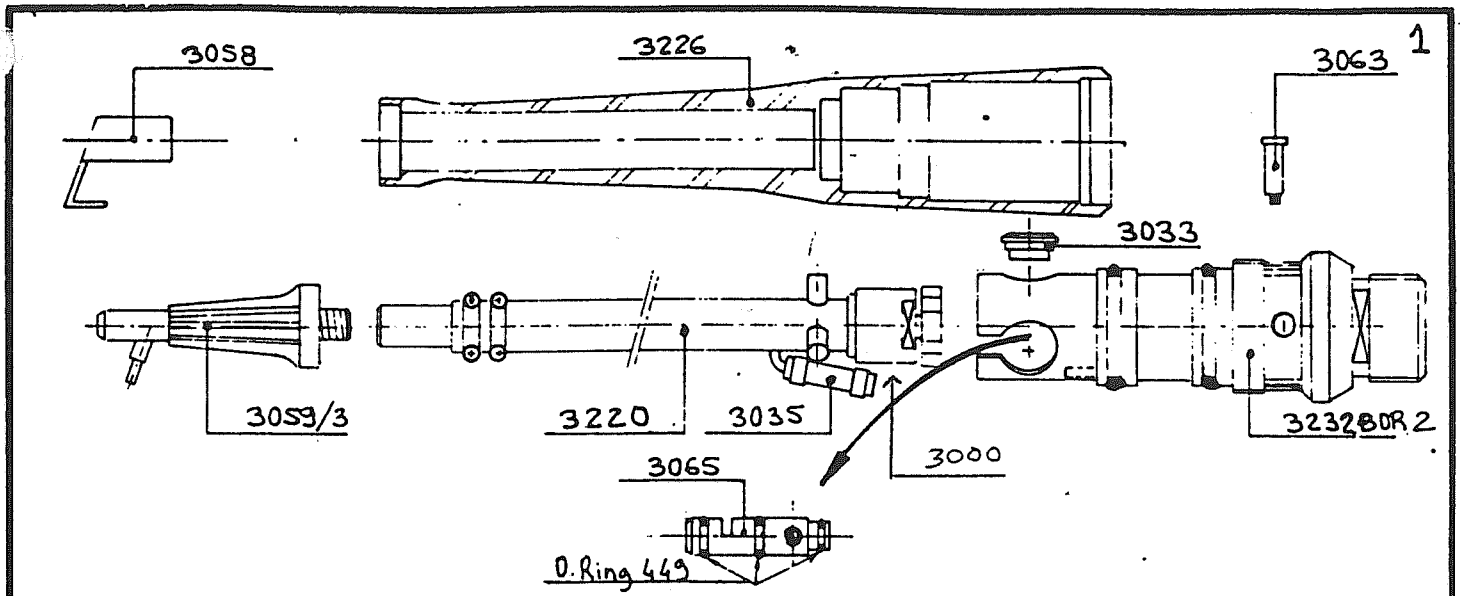


MM3000 REPAIR PROCESS



REPAIR PROCESS.

1. REMOVE TIP # 3058
2. INSERT A .079" OR SMALLER PIN IN HOLE ABOVE WATER PORT
3. WRAP HOUSING #3226 WITH A RUBBER STRIP
4. UNSCREW TIP #3059
5. INSERT THREADS OF BACK END INTO A 35/64", 17/32" OR 18/32" COLLET
6. UNSCREW HOUSING #3226 FROM BACK END
7. REMOVE RUBBER GROMMETS #3033
8. CAREFULLY PULL OUT SPINDLE #3220 AND SLIDE RUBBER TUBE #3035 OFF BACK END WHILE REMOVING THE SPINDLE
9. REMOVE RUBBER O-RING FROM SPINDLE # 3220
10. PLACE SPINDLE SHAFT IN COLLET
11. UNSCREW MOTOR ASSEMBLY # 3000 FROM SPINDLE
12. PLACE MOTOR OVER A HOLE IN YOUR WORK BLOCK, IMPELLER SIDE UP, AND TAP OUT THE MOTOR SPINDLE
13. PLACE THE BIG END OF THE MOTOR SPINDLE OVER HOLE #4 IN YOUR WORK BLOCK
14. USING A PUNCH, PRESS THE SPINDLE OUT OF THE BEARINGS
15. REPLACE BEARINGS (MM1500)
16. REASSEMBLE