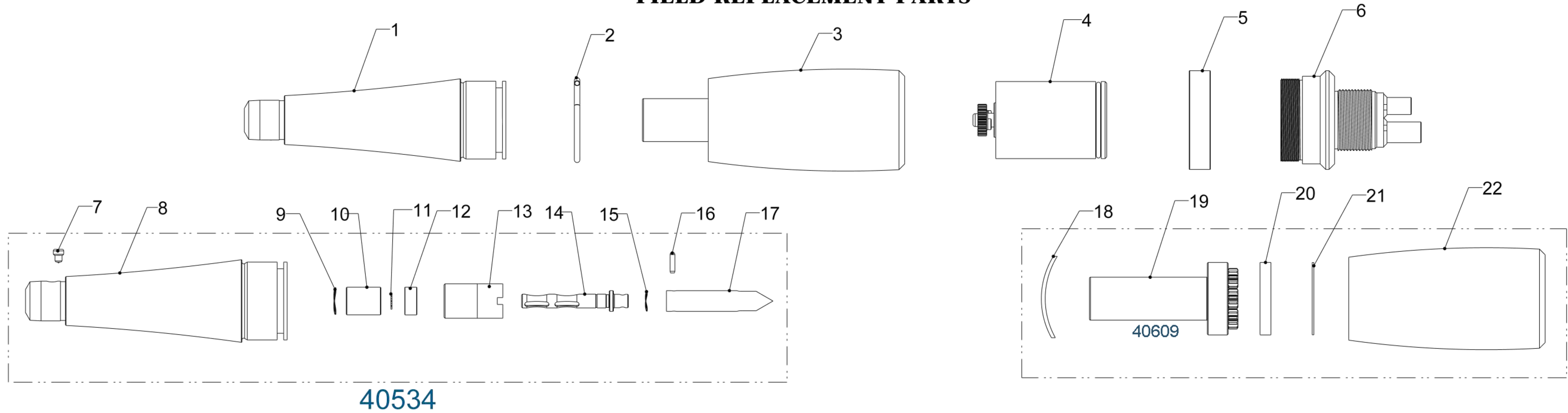
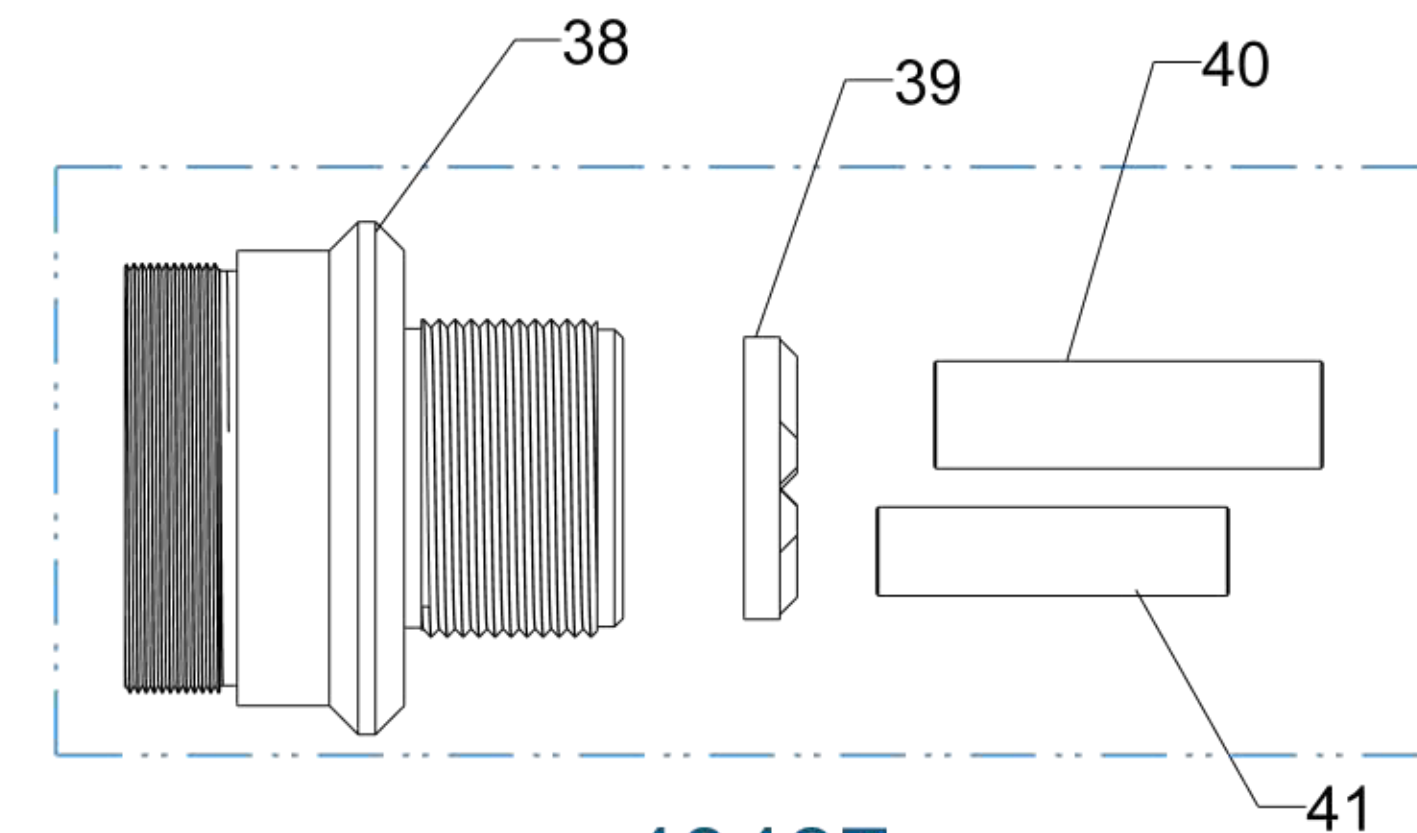
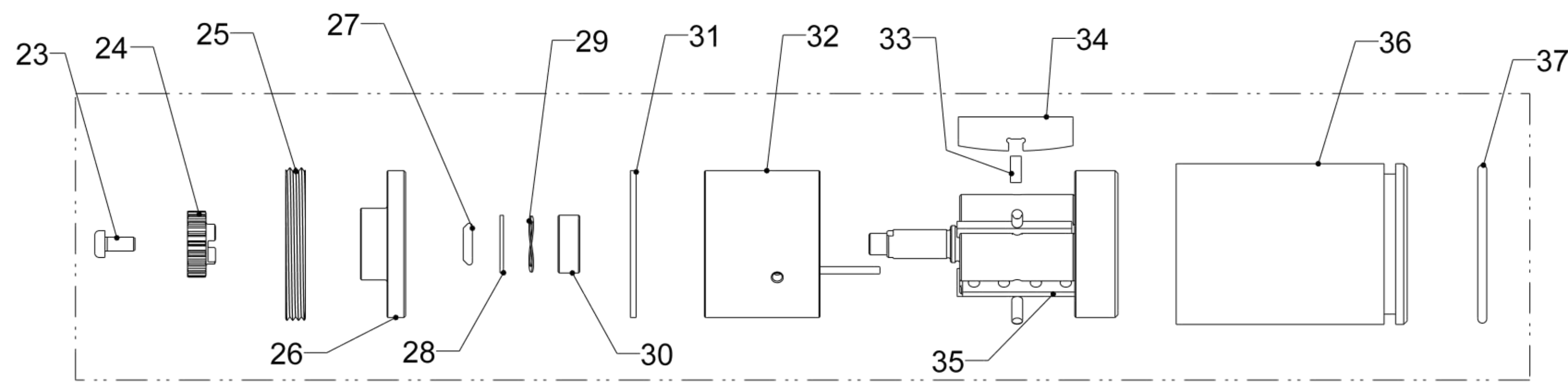


## MIDWEST RDH HYGIENIST HANDPIECE FIELD REPLACEMENT PARTS



40534



40487

ITEM	PART NUMBER	DESCRIPTION	ITEM	PART NUMBER	DESCRIPTION	ITEM	PART NUMBER	DESCRIPTION	QTY.
1	40534	SHEATH, ASSEMBLY U-STYLE	16	60219A	PIN, COILED	31		PLATE, FRONT	1
2	40534R	RING, LOCK	17	40485	U-STYLE COUPLER	32		STATOR PIN ASSEMBLY	1
3		ASSEMBLY, RIGHT ANGLE HOUSING	18	40536	RING, RETAINING	33	40420-OEM	SPRING, COMPRESSION	5
4		MOTOR MODULE, RDH FORWARD ONLY	19	40605	Planetary Gears only (set of 3)	34		VANE, MACHINED	5
5	40422RDH	RING, LAVENDER	20	40605R	GEAR, RING	35		ROTOR/END PLATE ASSEMBLY	1
6	40487	END CAP ASM.	21	40605P	WASHER, RING GEAR	36		HOUSING, MOTOR INNER FORWARD	1
7		BUTTON, SHEATH	22	40535	HOUSING	37		O-RING SEAL	1
8		SHEATH, U-STYLE	23		SCREW, PAN HEAD PHILLIPS	38	40487	END CAP	1
9	40531	WASHER, WAVE	24	40607	GEAR, SUN	39	40422A	GASKET	1
10		RETAINER, TUBULAR	25		RETAINER, CARTRIDGE	40		TUBE, EXHAUST	1
11	40533	RING, RETAINING, EXTERNAL	26		HOUSING, FRONT BEARING	41		TUBE, INLET	1
12	60102	BALL BEARING, SHIELDED	27		SEAL, SHAFT				
13	40520N	RETAINER, CHUCK	28		WASHER				
14	40520	CHUCK, U-STYLE RDH	29		WASHER, WAVE				
15	40532	WASHER, WAVE	30	40405C	BALL BEARING, ANGULAR CONTACT				