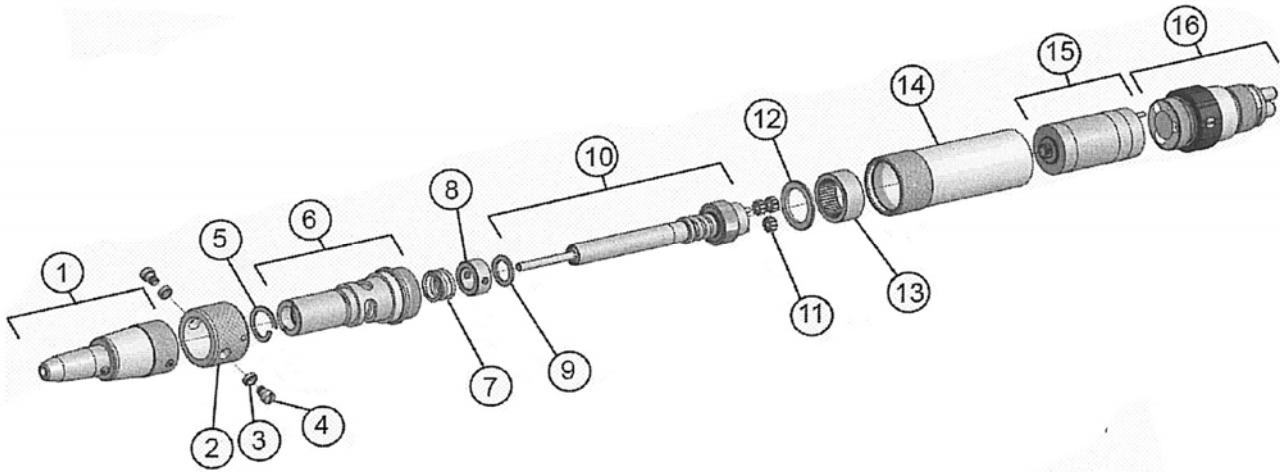
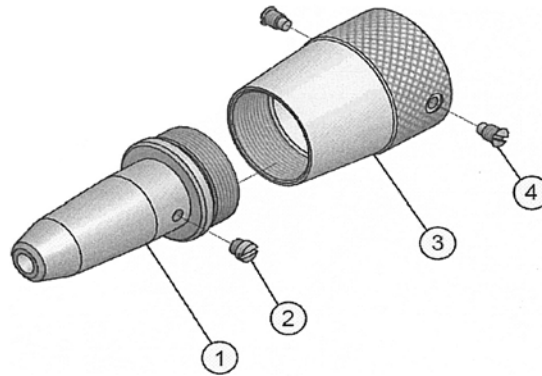


**Micromite 5500 Schematic
(also Dentalair and Hawk)**

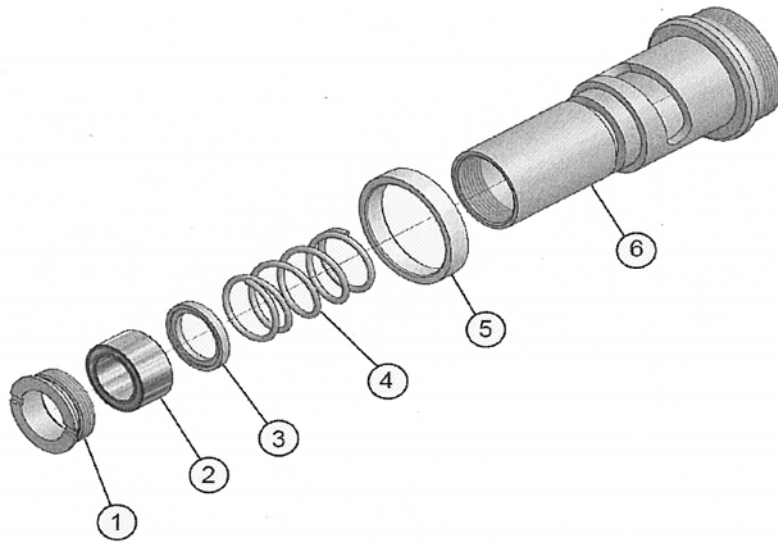


Picture #	Part#	Description	Picture #	Part #	Description
1		Complete Nose Assm.	9	SOMM-40	Adjustment Washer
2	SOMM-31	Chuck Collar	10	SOMM-05	Chuck Collet Assembly
3	SOMM-07	Roller Bushing	11	SOMM-24	Planetary Gears
4	SOMM-08	Screw	12	SOMM-42	Ring Gear Washer
5	SOMM-09	Nose Spring Washer	13	SOMM-23	Ring Gear
6	SOMM-45	Inner Nose Sheath	14	SOMM-34	Aluminum Sheath
7	SOMM-13	Collet Spring	15	SOMM-28	Motor Assembly
8	SOMM-46	Collet Collar	16	SOMM-15	MM Head Assembly

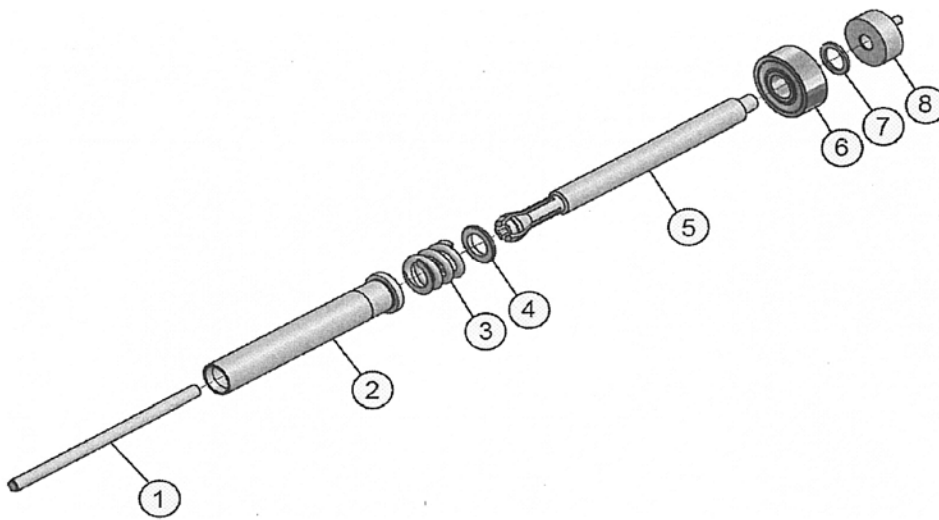


Picture #	Part #	Description	Picture #	Part #	Description
1	SOMM-35	Nose			
2	SOMM-01	Nose Screw			
3	SOMM-36	Swival Collar			
4	SOMM-03	Swival Screw			

**Micromite 5500 Schematic
(also Dentalair and Hawk)**

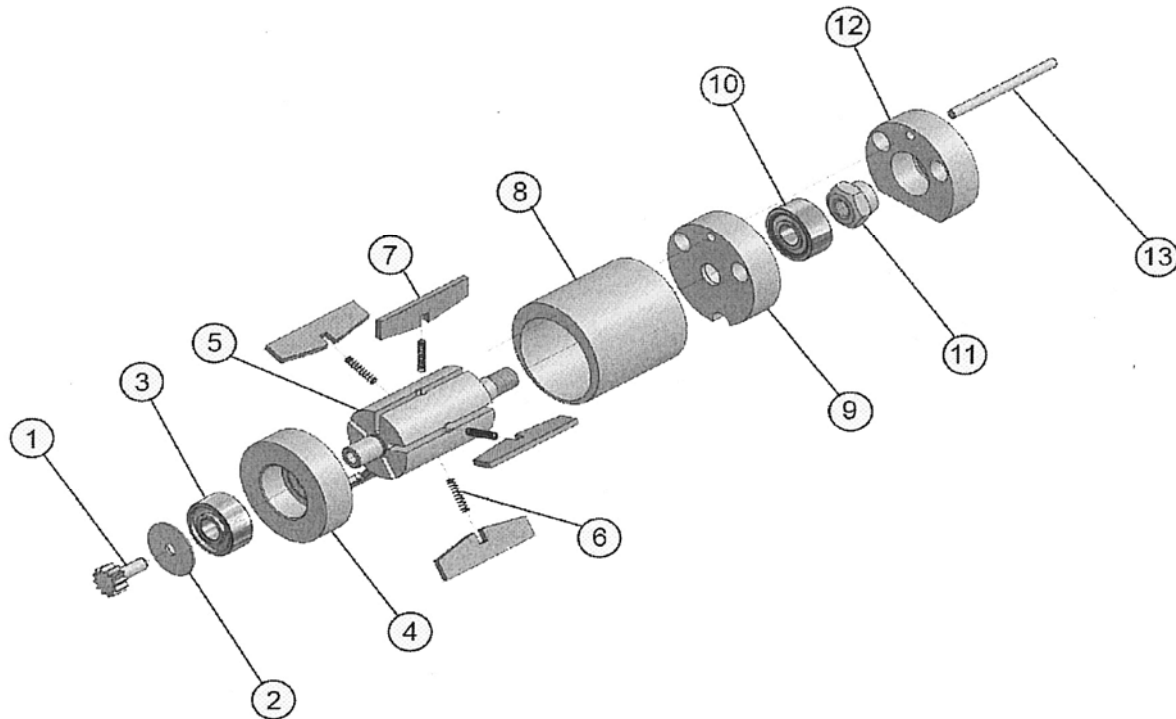


Picture #	Part #	Description	Picture #	Part #	Description
1	SOMM-47	Bearing Stopper	5		Sheath Spacer
2	60251A	Bearing	6	SOMM-45	Inner Nose Sheath
3	SOMM-38	Bearing Washer			
4	SOMM-09	Spring			

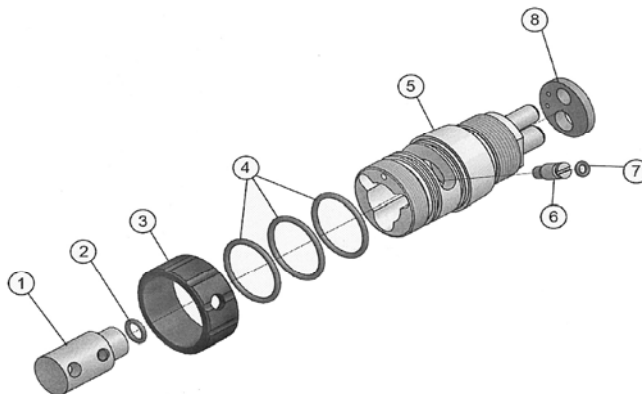


Picture #	Part #	Description	Picture #	Part #	Description
1	Bur Blank	Bur Blank	5	SOMM-04	Chuck Collet
2	SOMM-32	Chuck Sleeve	6	60223	Lower Bearing
3	SOMM-10	Lower Collet Spring	7		Spacer
4	SOMM-41	Spring Washer/Spacer	8	SOMM-43	Gear Plate

**Micromite 5500 Schematic
(also Dentalair and Hawk)**



Picture #	Part #	Description	Picture #	Part #	Description
1	SOMM-30	Sun Gear	8	SOMM-29	Rotor Housing
2		Avoider	9		Rear Motor Plate
3	60101	Beraing	10	60101	Bearing
4		Front Motor Plate	11	SOMM-33	Locking Nut
5	SOMM-44	Rotor	12		Distributer
6	SOMM-22	Rotor Blade Springs (5)	13	SOMM-02	Alignment Pin
7	SOMM-21	Rotor Blades (5)			



Picture #	Part #	Description	Picture #	Part #	Description
1		F/R Valve	5	SOMM-15	Complete Head Only
2	SOMM-27	F/R Valve O-ring	6	SOMM-06	F/R Valve Screw
3	SOMM-37	F/R Valve Ring	7	SOMM-25	F/R Valve Screw O-ring
4	SOMM-26	Head O-Rings (3)	8	40422A	4 - Hole Gasket