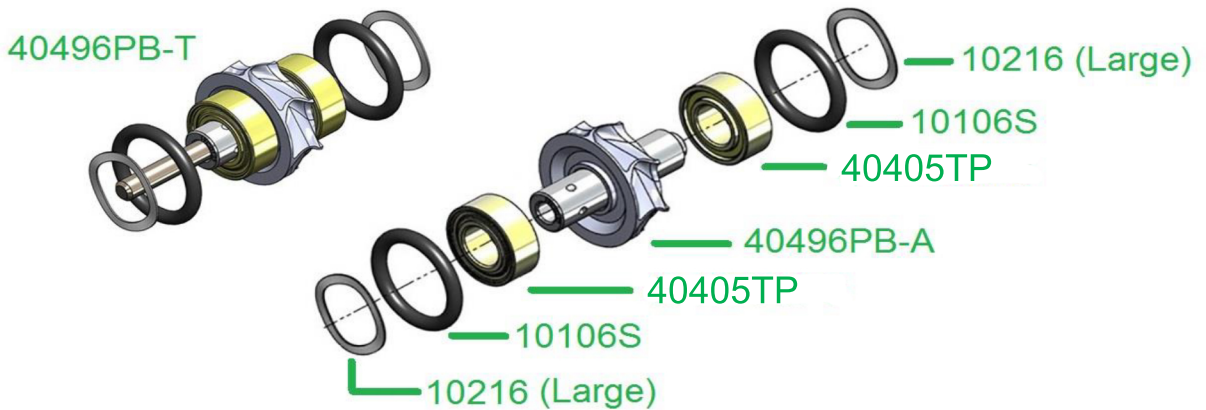


Midwest/Dentsply Sirona Handpieces - 2019

Midwest Tradition TB/TL and Midwest Tradition PRO TBF/TLF Fixed Back-End Handpieces



Note: Look for Dentsply/Sirona Logo ; Then look to confirm it is a Fixed Back End Handpiece
 Note 2: There should also be a TB, TL, TBF or TLF Laser Mark on the opposite side of the logo

Part #	Description
10216	KaVo Loading Spring (Large)
10106S	KaVo Sable O-ring (Also utilized by all of the above listed handpieces)
40405TP	Dentsply/Sirona Tradition TB/TL and Tradition PRO TBF/TLF Bearing
40496PB-A	Midwest Spindle/Impeller Combo (Tradition TB/TL
	Tradition PRO TBF / TLF)
40496PB-T	Completely assembled turbine for the above listed handpieces
40415-STP	PB Cap
40408MW	Back Cap Tool