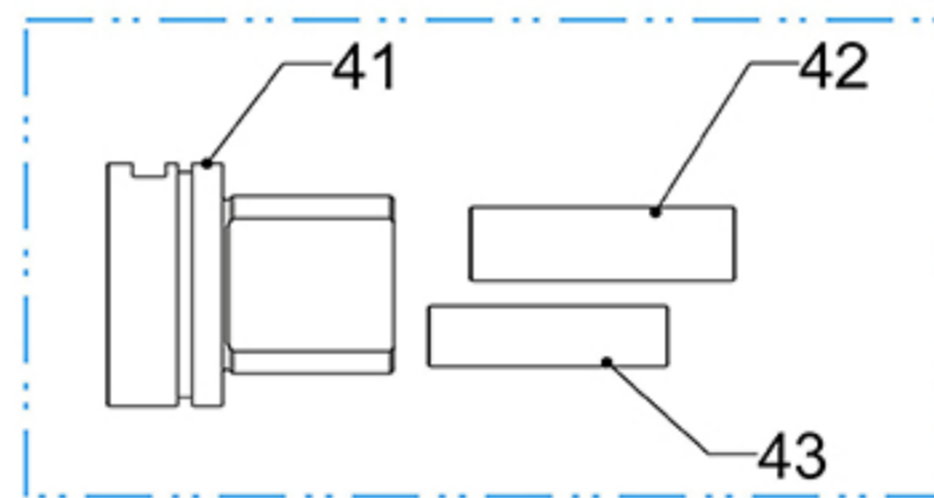
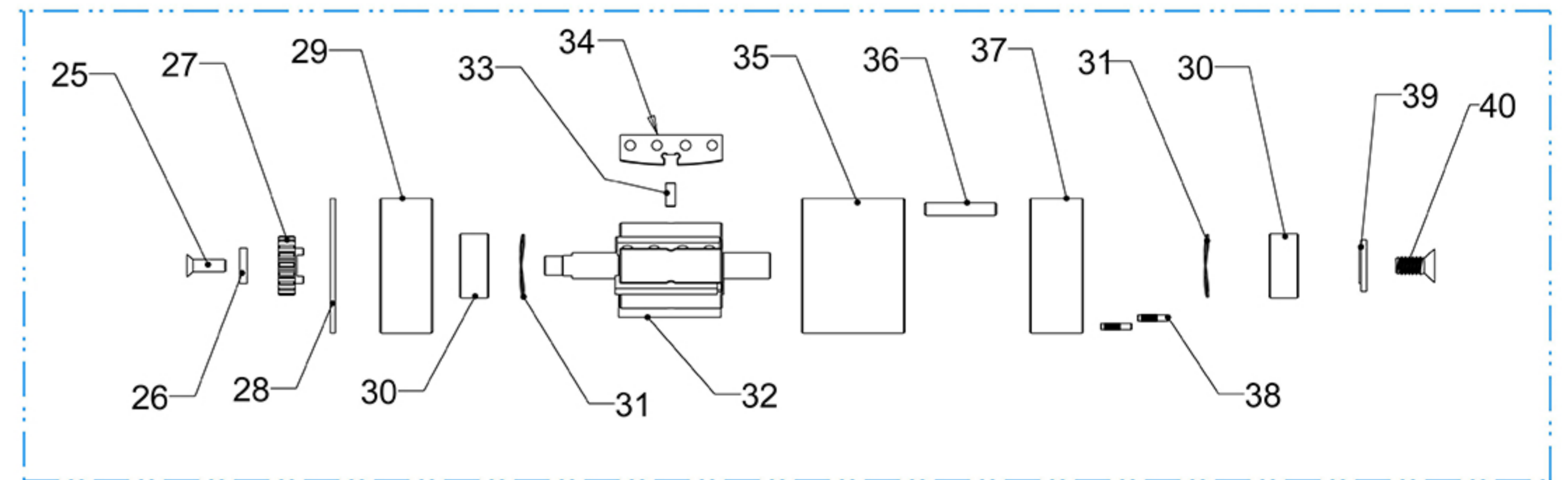
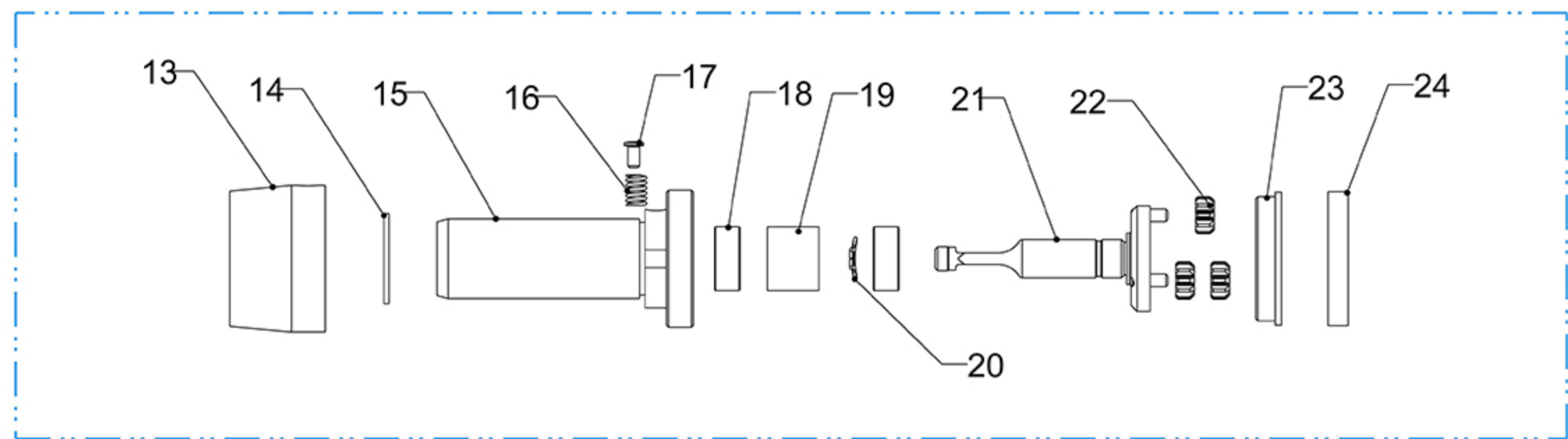
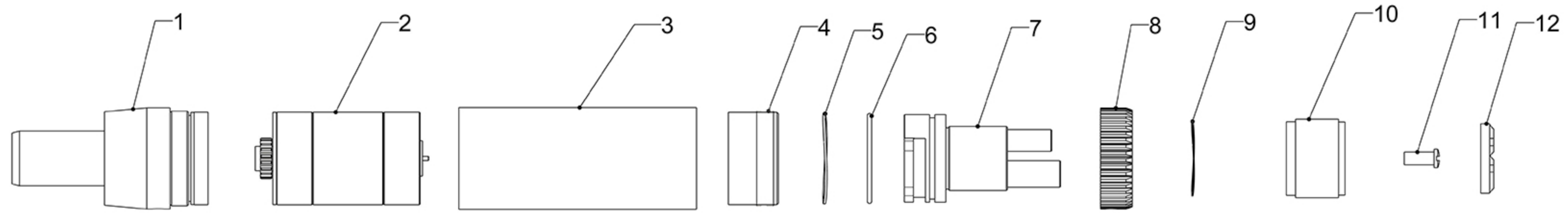


MIDWEST RHINO LOWSPEED MOTOR



ITEM	PART NUMBER	DESCRIPTION	QTY.	ITEM	PART NUMBER	DESCRIPTION	QTY.	ITEM	PART NUMBER	DESCRIPTION	QTY.
1		LATCH AND SPINDLE ASSEMBLY	1	16	40508	SPRING	1	31	10027	WASHER, WAVE SPRING	2
2		VANE MOTOR SUB-ASSEMBLY	1	17	40507	PIN, LATCH	1	32		ROTOR	1
3	40603	HOUSING	1	18	40483	BALL BEARING, SHIELDED	2	33	10119	SPRING, COMPRESSION	6
4		LOCK SCREW	1	19		SPACER, BEARING	1	34	40420	VANE, MACHINED	6
5		WASHER, WAVE	1	20	40532	RETAINER, SPINDLE BEARING	1	35	40603	ROTOR HOUSING	1
6		O-RING	1	21		SPINDLE AND DRIVE PIN ASSM	1	36		PIN, LOCATION	1
7		REVERSE VALVE ASSEMBLY	1	22	40605	GEAR, PLANET	3	37		PLEATE BEARING REAR	1
8	40606	RING, REVERSE VALVE	1	23		RETAINER, SPINDLE	1	38		PIN, STOP RXP	2
9		WASHER, WAVE	1	24		GEAR RING	1	39		WASHER, SHOULDER	1
10	40601	HOSE SCREW	1	25		SCREW, FLAT HEAD PHILLIPS	1	40		SCREW	1
11	40604	SCREW	1	26		WASHER	1	41		VALVE, REVERSE	1
12	40422A	GASKET	1	27		GEAR SPUR SUN	1	42		TUBE, EXHAUST	1
13	40509	LATCH RING	1	28		WASHER, BEARING	1	43		TUBE, INLET	1
14	40608	RING, RETAINING	1	29		PLATE, FRONT BEARING	1				
15		RHINO SPINDLE, PILOT	1	30	60101	BEARING, BALL	2				

DENSPLY PROFESSIONAL
Des Plaines, IL 60018

DESCRIPTION
RHINO LOWSPEED MOTOR
REPLACEMENT PARTS

SHT	SIZE	NUMBER	REV
1/1		61061	1.0