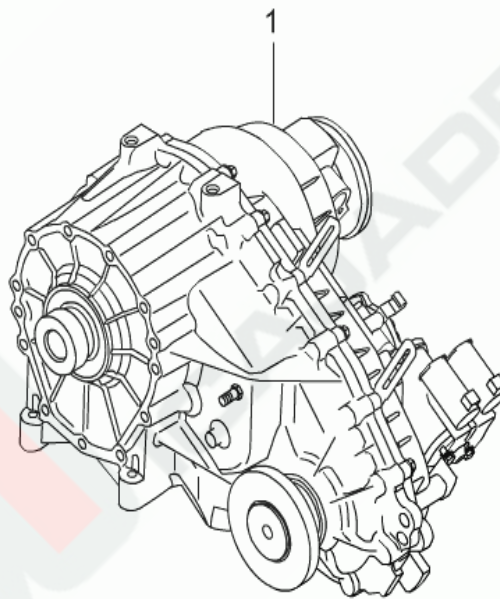
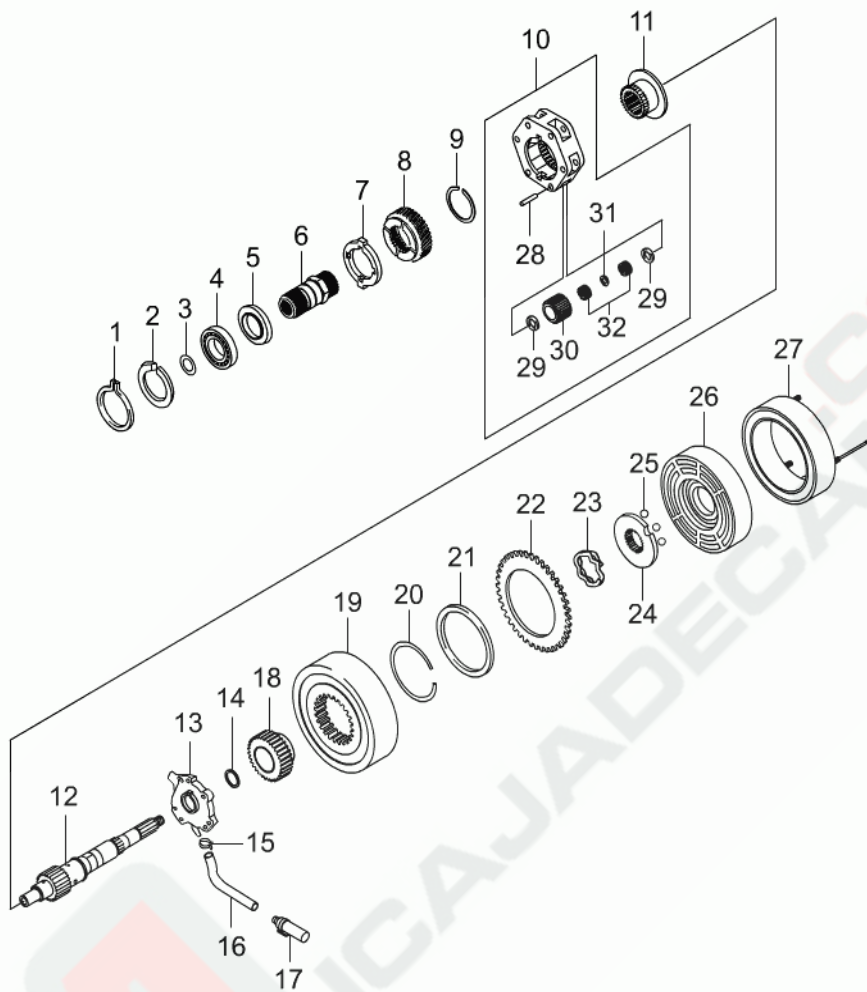


MARCA  
MODELO  
SUBGRUPO

SSANGYONG  
REXTON RODIUS  
TRANSFER CASE:TOD(D27,E32)

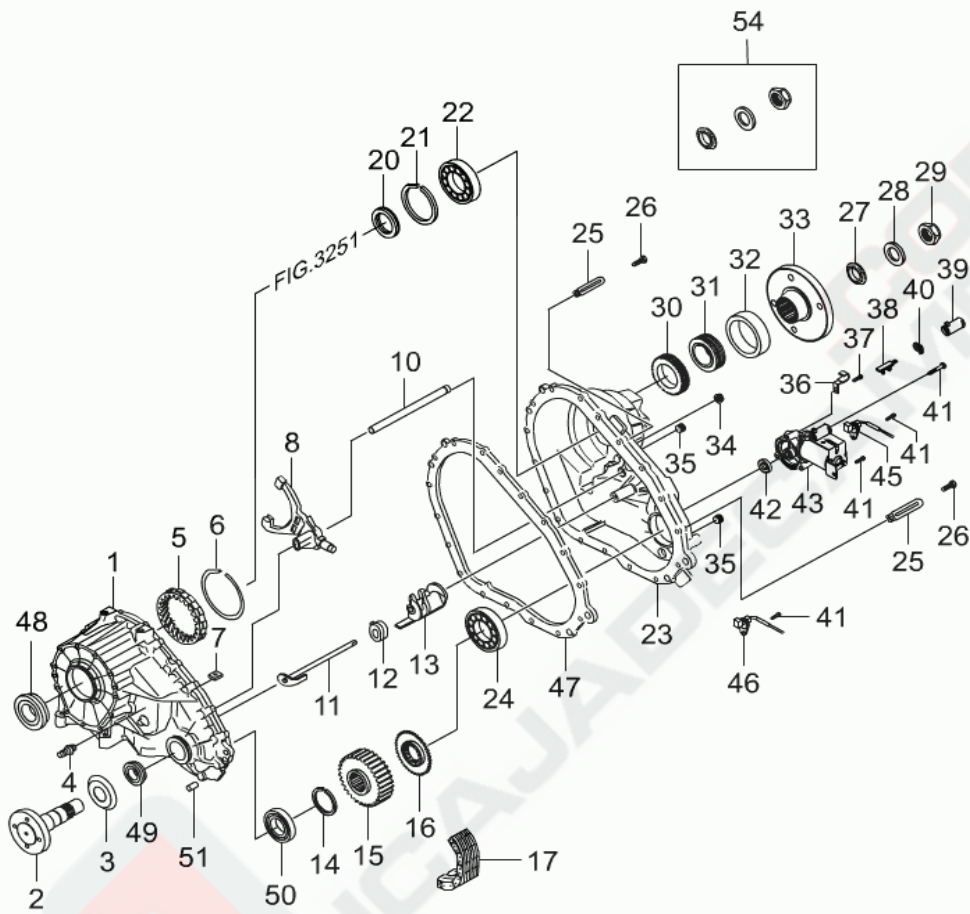


Nº	Referencia Original	Descripción
01	3200008070	T/C ASSY



Nº	Descripción
01	RING-SNAP
02	RING-RETAINING
03	RING-SNAP
04	BEARING
05	HUB
06	SHAFT ASSY-INPUT
07	PLATE-THRUST
08	GEAR-SUN
09	RING-SNAP
10	CARRIER ASSY
11	HUB-REDUCTION
12	SHAFT-MAIN
13	PUMP ASSY-GEROTOR
14	WASHER-THRUST
15	CLAMP
16	HOSE
17	FILTER ASSY

<b>Nº</b>	<b>Referencia Original</b>	<b>Descripción</b>
18	4405.644.002	SPROCKET ASSY-DRIVE
19	4411.625.001	CLUTCH PACK ASSY
20	1900.139.039	RING-RETAINING
21	4400.248.001	WASHER
22	4405.147.004	ARMATURE ASSY
23	1900.156.006	SPRING
24	4400.099.001	CAM APPLY
25	1900.109.002	BALL
26	4405.712.001	CAM ASSY-COIL HOUSING
27	4400.645.025	COIL ASSY-ELECTRIC
28	1350.042.001	SHAFT-PINION
29	1350.193.002	WASHER
30	1350.163.001	GEAR-PINION
31	1350.053.001	SPACER-PINION
32	1300.131.001	ROLLER-NEEDLE



Nº	Descripción
01	CASE ASSY
02	SHAFT-OUTPUT
03	DEFLECTOR-DUST
04	BREATHER
05	GEAR-RING
06	RING-SNAP
07	MAGNET
08	FORK ASSY-REDUCTION SHIFT
10	SHAFT-RAIL
11	SHIFT-SHAFT
12	SPRING-LOCKUP FORK
13	CAM
14	RING-SNAP
15	SPROCKET-LOWER
16	WHEEL-TONE
17	CHAIN
20	BEARING-THRUST

<b>Nº</b>	<b>Descripción</b>
21	RING
22	BEARING
23	COVER
24	BEARING
25	CLIP
26	BOLT
27	SEAL-OIL
28	WASHER
29	NUT
30	WHEEL-TONE
31	SPACER
32	SEAL-OIL
33	FLANGE-COMPANION
34	NUT
35	PLUG
36	CLIP
37	BOLT
38	CLIP
39	CONNECTOR
40	LOCK-CONNECTOR
41	SCREW
42	SEAL-OIL
43	MOTOR ASSY-TOD T/C
45	SENSOR-SPEED RR
46	SENSOR ASSY-SPEED FRT
47	SEALANT
48	SEAL-OIL
49	SEAL-OIL
50	BEARING
51	PIN-DOWEL