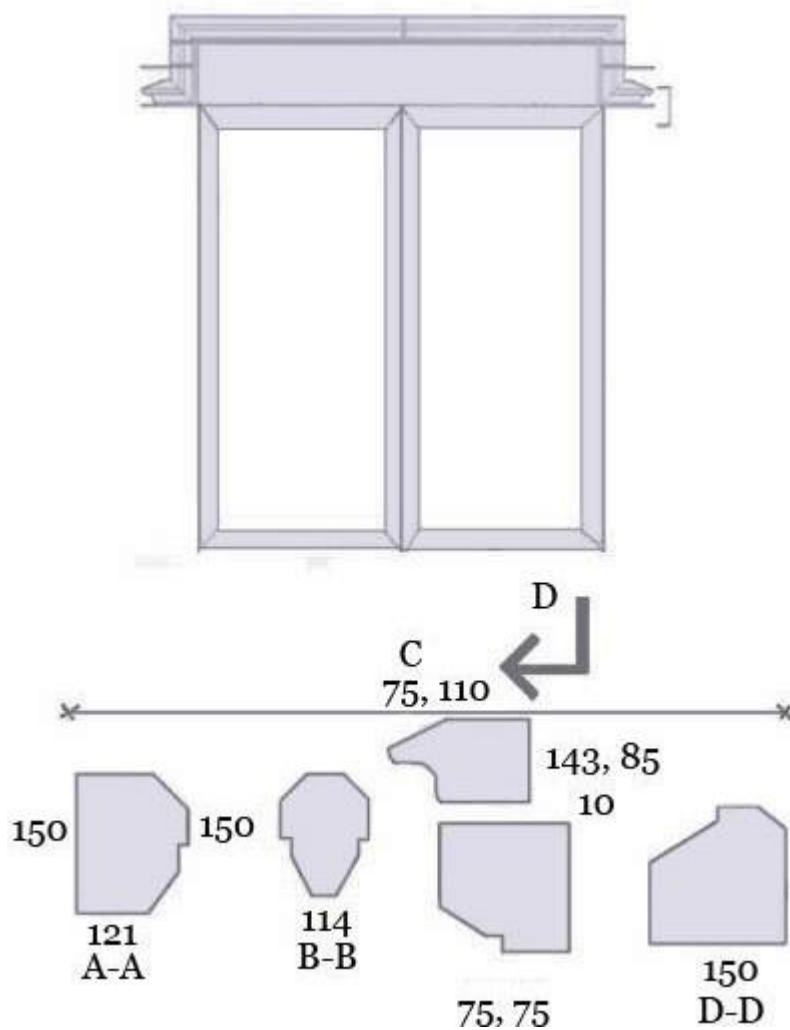


## HAMPTON CAST STONE WINDOW SURROUNDS

Traditional, oval, circular or bullseye window surrounds or indeed call us to discuss your specific requirements

### TRADITIONAL WINDOW



## Hampton Cast Stone

Unit 7 Merretts Mill, Woodchester, Stroud, Gloucestershire, GL5 5EU

01453 836677

[hamptoncaststone.co.uk](http://hamptoncaststone.co.uk)

[sales@hamptoncaststone.co.uk](mailto:sales@hamptoncaststone.co.uk)

## N Range

Surround Type	Window Frame Height	Surround Height O/A Exc Label	O/All Surround Width No: Of Lights 1 / 2 / 3 / 4 / 5 (mm)
W2	628	895	730/133/1937/2540/3144
W3	923	1190	
W3-5	1067	1333	
W4	1218	1485	
W5	1513	1781	

## ZN Range

Surround Type	Window Frame Height	Surround Height O/A Exc Label	O/All Surround Width No: Of Lights 1 / 2 / 3 / 4 / 5
W05	457	724	850/1572/2294/3016/3738
W07	628	895	
W08	923	1190	
W11	1067	1333	
W13	1218	1485	
W15	1513	1781	

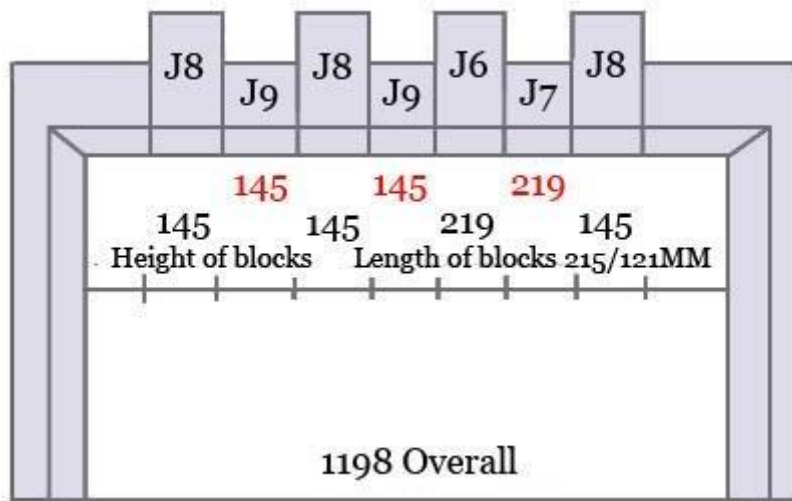
## Hampton Cast Stone

Unit 7 Merretts Mill, Woodchester, Stroud, Gloucestershire, GL5 5EU  
01453 836677

[hamptoncaststone.co.uk](http://hamptoncaststone.co.uk)

[sales@hamptoncaststone.co.uk](mailto:sales@hamptoncaststone.co.uk)

When specifying surrounds, give number of lights & surround types. If bonded jambs are required add suffix 'B.' If label moulding is required add suffix 'L'.



## Hampton Cast Stone

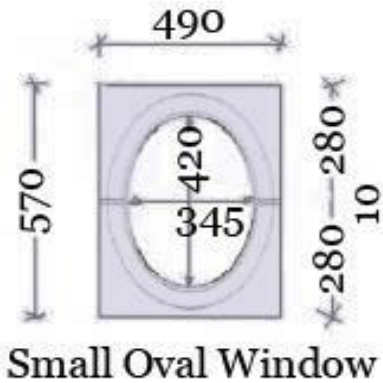
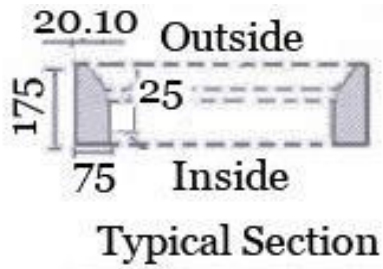
Unit 7 Merretts Mill, Woodchester, Stroud, Gloucestershire, GL5 5EU

01453 836677

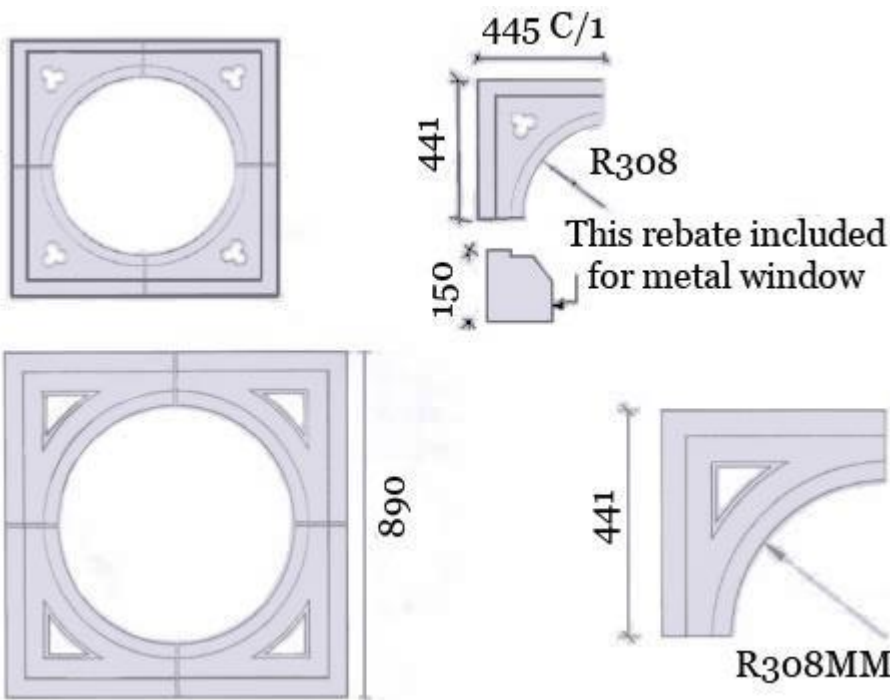
[hamptoncaststone.co.uk](http://hamptoncaststone.co.uk)

[sales@hamptoncaststone.co.uk](mailto:sales@hamptoncaststone.co.uk)

## OVAL WINDOW



## ROUND WINDOW



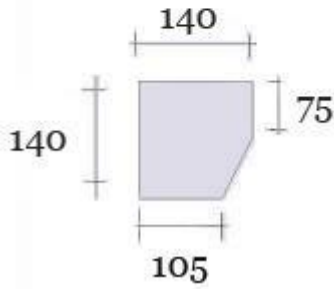
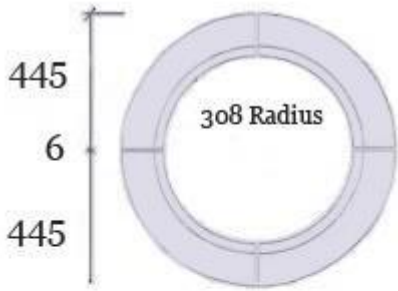
## Hampton Cast Stone

Unit 7 Merretts Mill, Woodchester, Stroud, Gloucestershire, GL5 5EU

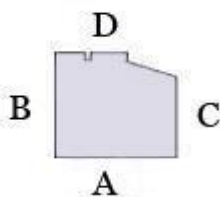
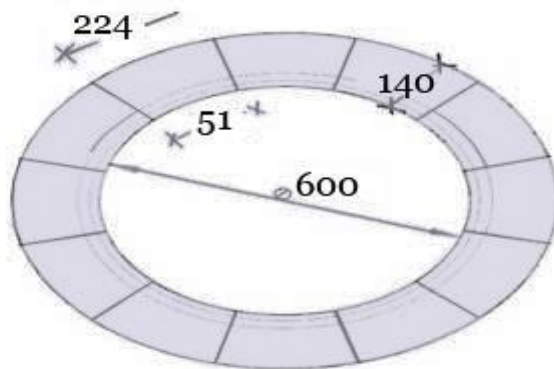
01453 836677

[hamptoncaststone.co.uk](http://hamptoncaststone.co.uk)

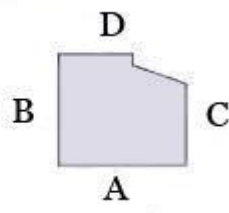
[sales@hamptoncaststone.co.uk](mailto:sales@hamptoncaststone.co.uk)



Type No	A	B	C	D
BT1	140	140	105	75
BM1	140	140	105	75



**BT1**  
600MM Timber  
or P.V.V-U Frames



**BM1**  
590MM Metal  
Frames

## Hampton Cast Stone

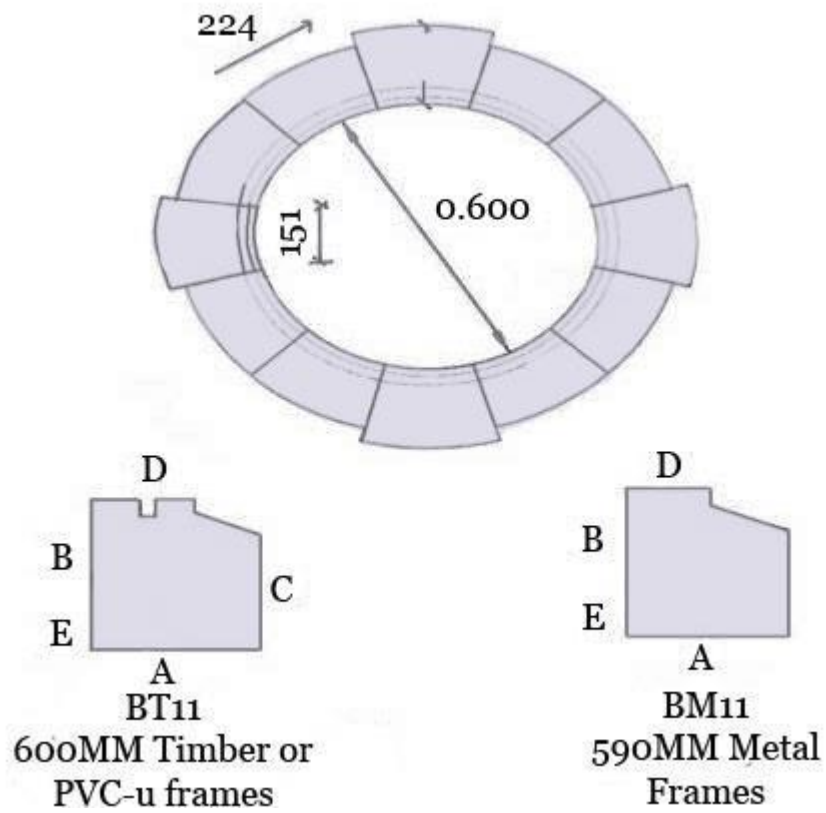
Unit 7 Merretts Mill, Woodchester, Stroud, Gloucestershire, GL5 5EU

01453 836677

[hamptoncaststone.co.uk](http://hamptoncaststone.co.uk)

[sales@hamptoncaststone.co.uk](mailto:sales@hamptoncaststone.co.uk)

## BULLSEYE SURROUNDS



Type No	A	B	C	D	E
BT11	140	140	105	75	30
BM11	140	140	105	75	30

## Hampton Cast Stone

Unit 7 Merretts Mill, Woodchester, Stroud, Gloucestershire, GL5 5EU

01453 836677

[hamptoncaststone.co.uk](http://hamptoncaststone.co.uk)

[sales@hamptoncaststone.co.uk](mailto:sales@hamptoncaststone.co.uk)