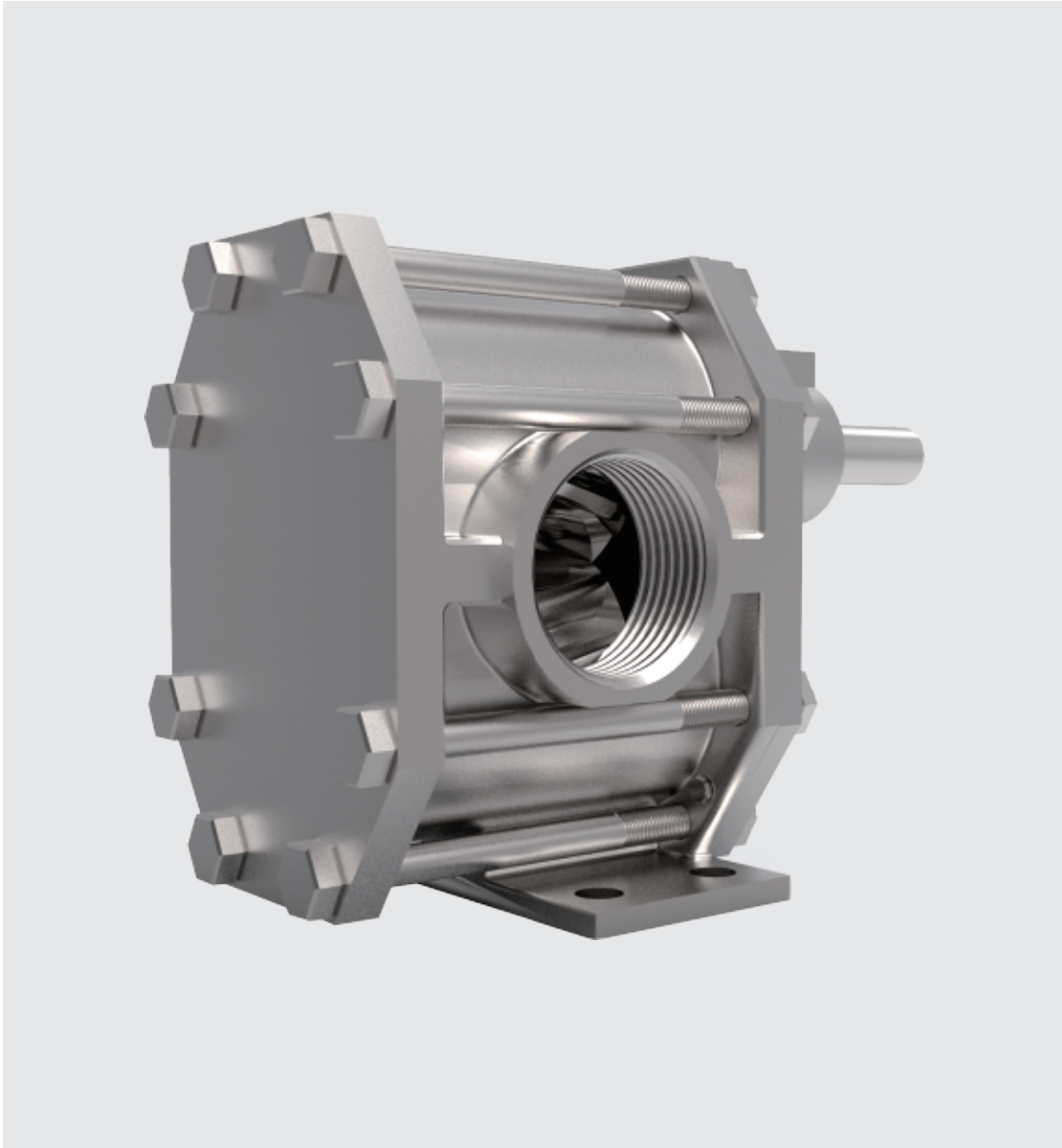
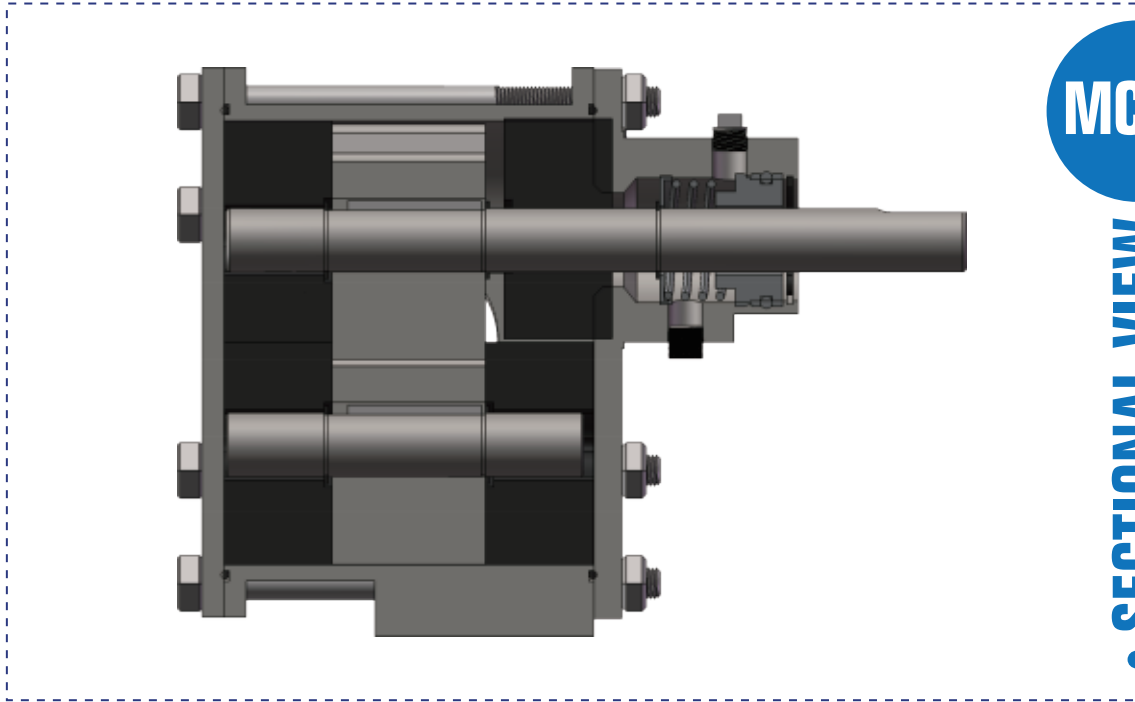




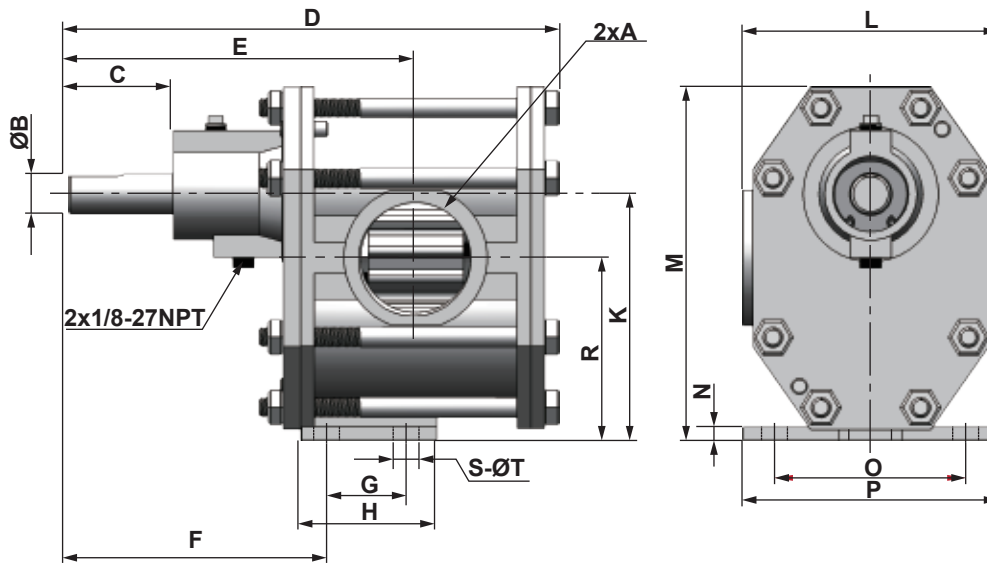
AMOS
A MODEL OF SUCCESS IN FLUID TECHNOLOGY



MCGO SERIES GEAR PUMP



OUTLINE DIMENSIONS [Unit: inch (mm)]



PUMP TYPE	A	B	C	D	E	F	G	H	K	L	M	N	O	P	R	S	T
0.5	12.7	12.7	32.5	159.5	116.8	107.2	0	35.1	66.7	66.8	95.3	6.4	57.2	76.2	50	2	9
0.5A	38.1	15.9	41.9	198.4	139.7	105.7	31.8	54.1	98.4	101.6	140.5	6.4	76.2	101.6	73.2	4	10.3
0.5B	38.1	15.9	41.9	198.4	139.7	105.7	31.8	54.1	98.4	101.6	140.5	6.4	76.2	101.6	73.2	4	10.3

PRODUCT FEATURES

MCGO series gear pumps are designed to handle common and highly corrosive non-abrasive liquids that must be pumped under pressure.

Manufactured to extremely precise tolerance, the MCGO gear pump prevents system contamination, maintains the purity and integrity of the liquid and provide for greater flow control; Its rugged three-part housing provides ease of servicing and parts replacement; With no overhung bearing loads, the rotor shaft can't deflect and cause premature wear; The helical gears supported on both sides provides relatively quiet operation; Additionally, MCGO pumps offer bi-directional operation for applications requiring reversing flow.

Because of the above features, MCGO gear pumps are popular for precise transfer and metering applications involving polymers, fuels, and chemical additives. It is also routinely used for high-pressure applications such as hydraulic applications.

▼ DYNAMIC SEAL OPTIONS

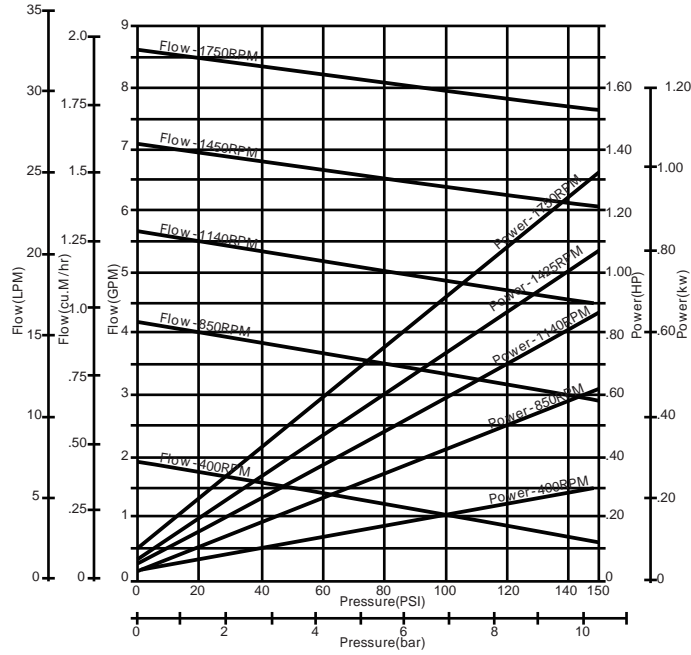
- Single or double mechanical seal
- Standard compression packing
- Lantern Ring compression packing
- Lip seals

▼ MATERIAL COMPOSITION

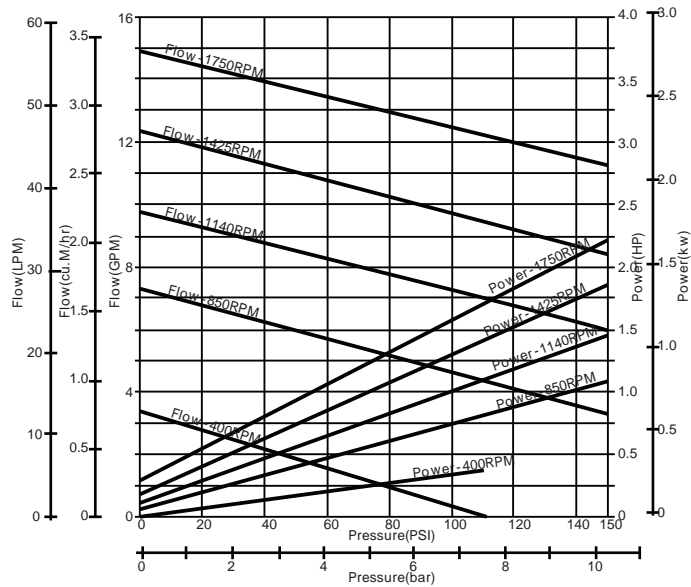
- Stainless or Alloy Chousing construction.
- Gears available in 316 stainless, Alloy C.
- Shafts are 316 stainless steel or Alloy C.
- Bearings available in carbon or Teflon®.

PERFORMANCE CURVE

SIZE: 3214



SIZE: 3923



SIZE: 3935

