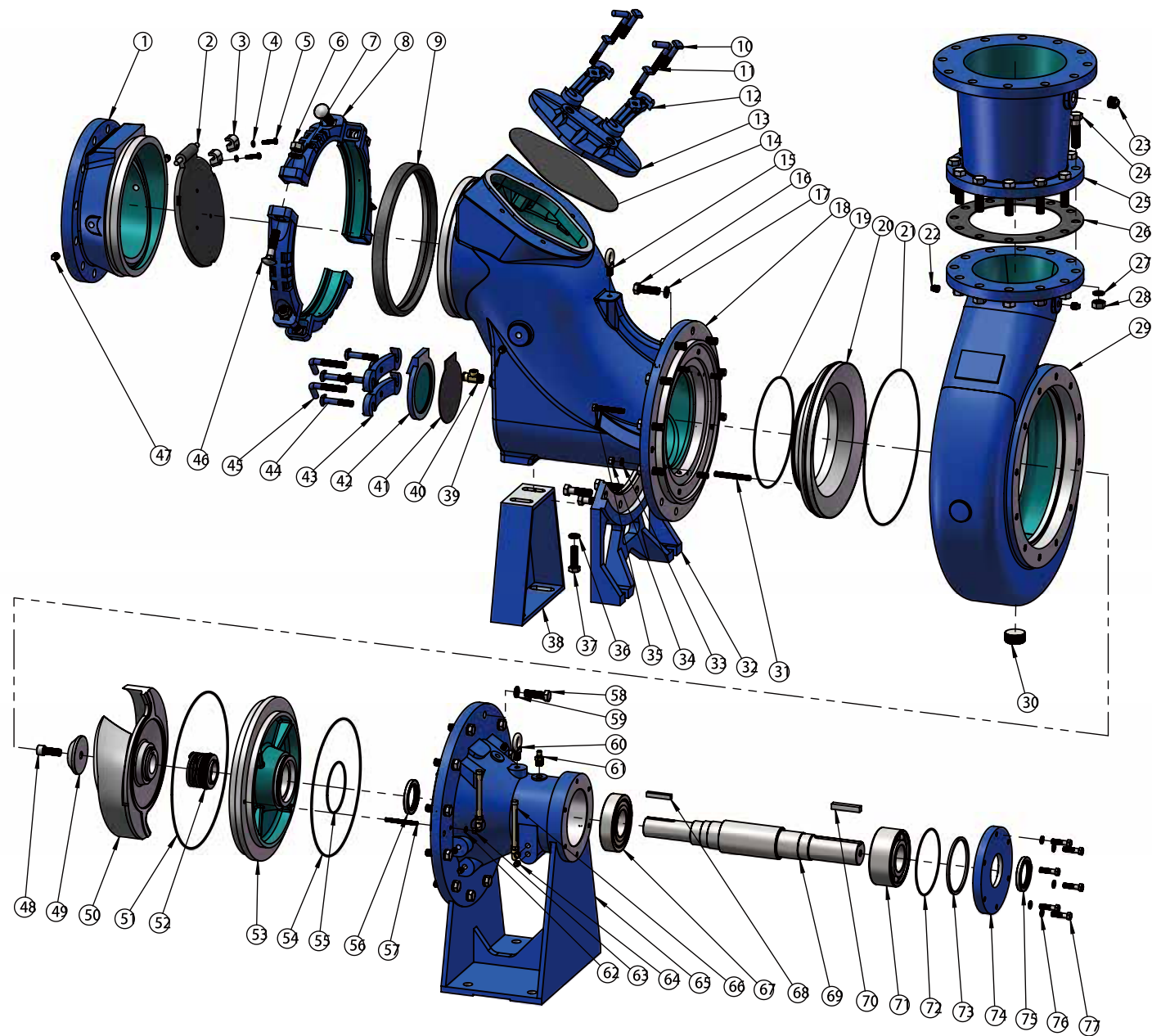


▲ MCST-12
90° SECTIONAL VIEW



PARTS LIST PUMP MODEL MCST 12"

ITEM NO.	PART NAME	PART NUMBER	MAT'L	QTY.	ITEM NO.	PART NAME	PART NUMBER	MAT'L	QTY.
1	SUCTION FLANGE	34720000012A	HT250	1	25	DISCH FLANGE	34820000012A	HT250	1
2	* CHECK VALVE	118201210360	NBR	1	26	* GSKT, DISCH FLANGE	118200610400	NBR	1
3	PIVOT CAP	34420000012B	QT450-10	2	27	SPRING WASHER	111010100708	Q235	12
4	SPRING WASHER	111011100038	304SS	2	28	HEX NUT	103001000078	Q235	12
5	HEX HD CAPSCREW	101011380112	304SS	2	29	PUMP CASING	301201000012A	HT250	1
6	HEX NUT	103001000078	Q235	4	30	SOCKET PIPE PLUG	105200021112	Q235	1
7	FLAT WASHER	111000100078	Q235	4	31	STUD	102001121338	Q235	4
8	VICTAULIC COUPLING	345200400012B	QT450-10	4	32	PEDESTAL FOOT	345201200012A	HT250	1
9	* SEAL RING, VICTAULIC CPLG	188200600012	NBR	1	33	SPRING WASHER	111010100012	Q235	4
10	MACHINE BOLT	101380058003	Q235	4	34	HEX NUT	103001000012	Q235	4
11	CLAMP BAR SCREW	188200100000C	WCB	2	35	HEX HD CAPSCREW	101001340234	Q235	4
12	CLAMP BAR	345200300012C	WCB	2	36	SPRING WASHER	111010100034	Q235	2
13	COVER PLATE	345201100012B	QT450-10	1	37	HEX HD CAPSCREW	101001340134	Q235	2
14	* GSKT, COVER PLATE	118201700395	NBR	1	38	SUCTION ELBOW SUPPORT	3452008000120	Q235	1
15	LIFTING BOLT	104000005811	Q235	1	39	PIPE PLUG	105101000012	Q235	2
16	HEX HD CAPSCREW	101001340212	Q235	8	40	* PRESS RELIEF VALVE	188200300012N	BRASS	1
17	SPRING WASHER	111010100034	Q235	12	41	* GSKT, COVER PLATE	118201600202	NBR	1
18	SUCTION ELBOW	345200510012A	HT250	1	42	COVER PLATE	345200900012B	QT450-10	1
19	* O-RING	131000320355	NBR	1	43	CLAMP BAR	345200700012C	WCB	2
20	* WEAR PLATE ASSY	338200000012B	QT450-10	1	44	MACHINE BOLT	101380058003	Q235	4
21	* O-RING	131000045037	NBR	1	45	CLAMP BAR SCREW	188200100000C	WCB	2
22	PIPE PLUG	105101000012	Q235	2	46	CAP BOLT	101000789334	Q235	4
23	PIPE PLUG	105101000001	Q235	1	47	PIPE PLUG	105101000012	Q235	2
24	HEX HD CAPSCREW	101001780312	Q235	12					

PARTS LIST *ROTATING ASSEMBLY

ITEM NO.	PART NAME	PART NUMBER	MAT'L	QTY.	ITEM NO.	PART NAME	PART NUMBER	MAT'L	QTY.
48	* SOCKET HD CAPSCREW	101101341002	304SS	1	63	HEX NUT	103001000038	Q235	2
49	* IMPELLER WASHER	111203000062	QT450-10	1	64	PIPE PLUG	105101000038	Q235	9
50	* IMPELLER	302201000012B	QT450-10	1	65	PEDESTAL	304201000012A	HT250	1
51	* O-RING	131000455037	NBR	1	66	SIGHT GAUGE	114020003818	BRASS	2
52	* MECHANICAL SEAL ASSY	107420012750	S-S-FKM-316-630	1	67	* INBOARD BALL BEARING	106020007316	NA	1
53	SEAL PLATE	303201000012A	HT250	1	68	* SHAFT KEY	110021123000	304SS	1
54	* O-RING	131000400037	NBR	1	69	* SHAFT	305201000012Q	4140	1
55	* O-RING	131000145037	NBR	1	70	* SHAFT KEY	110021583012	304SS	1
56	* OIL SEAL	109000101111	NBR	1	71	* OUTBOARD BALL BEARING	106020053160	NA	1
57	STUD	102001380164	Q235	2	72	* O-RING	131000190355	NBR	1
58	HEX HD CAPSCREW	101001340212	Q235	12	73	* WAVE WASHER	341201000012A	HT250	1
59	SPRING WASHER	111010100034	Q235	12	74	BEARING COVER	341200000012A	HT250	1
60	LIFTING BOLT	104000005811	Q235	1	75	* OIL SEAL	109000101111	NBR	1
61	AIR VENT PLUG	199000000052	BRASS	1	76	SPRING WASHER	111010100012	Q235	6
62	SPRING WASHER	111010100038	Q235	2	77	HEX HD CAPSCREW	101001120020	Q235	6

*INDICATES PARTS RECOMMENDED FOR STOCK.

IF YOUR PUMP IS NOT A STANDARD PRODUCTION MODEL, CONTACT THE M&C PUMPS CO.,LTD TO VERIFY PART NUMBERS.