

Garryson®



G. F. Lasswell Company, Inc.
Lasswell
Manufacturers' Redistributor
713.644.4313 | Fax: 713.644.0130
7126 Kirbyville, Houston, TX 77033
masters@lasswell.com | www.lasswell.com

Abrasives Catalog



Introduction	4-5
Safety Symbols	6
Glossary	7
Application Data	8 - 10

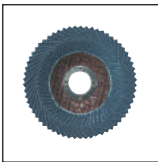
Abrasive Discs	11 - 24
-----------------------	---------



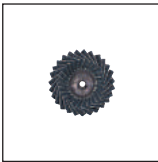
Flap discs	11 - 15
Zirc ⁺ (standard & jumbo)	
CERAMIQ®	
Zirconium	
Aluminium oxide	



Jumbo flap discs	16 - 17
Zirconium	
Aluminium oxide	



Flexidisc®	18- 19
Zirconium	
Aluminium oxide	
CERAMIQ®	



Mini-Flexidisc™	20 - 21
Zirconium	
Aluminium oxide	
CERAMIQ®	
Holders	



Minidiscs	22 - 23
Zirconium	
CERAMIQ®	
Holders	

<p>Abrasive Wheels</p> <p><i>CERAMIQ®</i> Premium Miniature</p>	<p>25 - 30</p>	
<p>Spirabands</p> <p>Aluminium oxide Zirconium Ceramic Holders</p>	<p>31 - 36</p>	
<p>Grind & Cut off Discs</p> <p>Flexible cut off disc Mandrels Type 41</p>	<p>37 - 38</p>	
<p>Quickchange</p> <p>Aluminium oxide Zirconium Ceramic Surface conditioning Finishing discs Holders Silicon carbide ATAbrite Holders</p>	<p>39 - 51</p>	
<p>Garryflex® blocks</p> <p>Rubber abrasive blocks Trial kit</p>	<p>52 - 53</p>	
<p>Safety Instructions</p>		<p>54 - 56</p>



To receive a free copy of our Air Tool Catalog, please contact ATA Customer Service at +330-928-7744 or by email sales@atatools.com

Introduction



We are committed to being the leading manufacturer and supplier of speciality abrasives and carbide burs in the world. Through continuous development of new and innovative products and services, using state-of-the-art technology and skilled, motivated people, we strive to provide you with cost-effective solutions and the support that you need to increase your competitive advantage.



Technology

In-house designed, fully automated equipment for cost-effective manufacture.

Innovation

Continuous investment in customer and application driven development of new products, giving you effective solutions.



Support

Technical, sales and customer service teams backed up with large product stocks all provide exceptional service.

People

Professional, friendly staff throughout the world create the relationships you need.

Safety Symbols



Do not use wet

Wear ear defenders



Wear protective mask



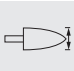



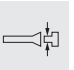

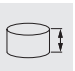
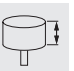
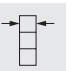

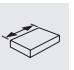
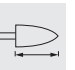
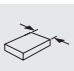
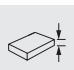
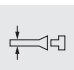
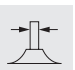
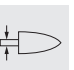








Wear safety glasses



Wear Protective Gloves


Read Instructions



				Pack quantity
				Maximum speed (revs per min)
			Part No	Part number
				Diameter
				Disc hole diameter
				Thickness
				Length
				Width
				Height
				Shank diameter
				Holder diameter
				Thread
				Locking system

Technical reference chart




Product group	 Flap discs				 CERAMIQ®	 Jumbo flap discs			 Flexidisc®	 Mini flexidisc®	 Minidiscs	 Flap wheels			
Machine type															
Product type	A/O	Z	Z ⁺	C		A/O	Z	Z ⁺	A/O	Z	C	Z	C	A/O	C
Steel	●		○	●	●	●	●	○	●	●	●	●	●	●	●
Cast iron	●	●	○	●	●	●	●	○	●	●	●	●	●	●	●
Stainless steel	○		●	○	○	○	●	●	●	●	○	●	○	●	○
High alloy steel	○	●	●	●	●	○	●	●	●	●	●	●	●	●	●
Aluminium	●			○	○	●	○		●	○	○	○	○	●	○
Non ferrous	●			●	●	●	○		●	○	●	○	●	●	●
Wood	○					○								●	
Plastic	○	●				○								●	
Other	Paint				Paint	Paint			Rust/Paint	Rust/Paint	Rust/Paint	Rust/Paint			

● = Highly recommended ○ = Recommended

A/O = Aluminium oxide Z = Zirconium C = Ceramic
 Z⁺ = Zirc+



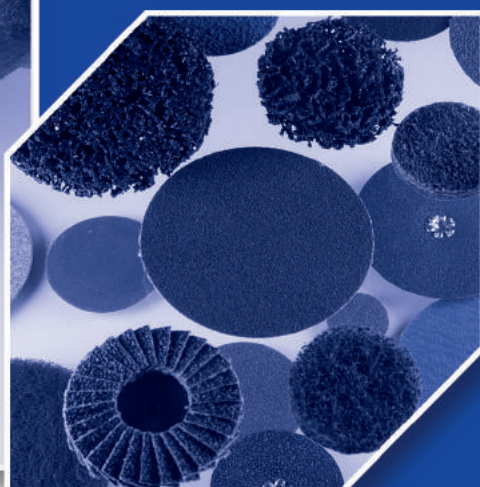
Technical reference chart

 Spirabands Bands Rolls		 Grind & Cut Off Discs		 Quickchange			 Non woven		 Garryflex® Blocks
									
A/O	Z	A/O	A/O	Z	C	Surf Prep	A/O SIC	A/O	
●	●	●	●	●	●	●	●	●	
●	●	○	●	●	●	●	○	●	
○	●	●	○	●	●	●	●	●	
○	●	●	○	●	●	●	●	●	
●	○	●	●	○	○	○	●	●	
●	○	○	●	○	○	○	●	●	
							○		
								●	
Rust/Paint	Rust/Paint	Ceramic	Rust/Paint	Rust/Paint	Ceramic	Rust/Paint		Rust/Ceramic	

Z⁺ = Zirc⁺ SIC = Silicon carbide A/O = Aluminium oxide Surf. Prep. = Surface preparation
 Z = Zirconium

Abrasive Discs

Suitable ATA Pneumatic tool range RA13, RA14, RA8AVH, RA20LR



Abrasive Discs

Zirc+ flap discs



Specialized Applications



Premium Zirc+ Ultra Fast Cutting Flap Disc - for austenitic stainless steel

- Ideal for use on austenitic stainless steel (300 series) to give reduced grinding times, improved productivity and less exposure time to potentially harmful vibration
- Premium Zirc+ Flap disc offers: a special grinding aid layer giving fast cutting performance and cooler grinding.



Premium Jumbo Flap Disc – contains up to 60% more useable abrasive material

- Jumbo discs can last up to double the life of a standard disc, resulting in fewer disc changeovers, less downtime and increased productivity
- The additional cloth provides a cushioned effect and softer 'feel' giving more control.

Zirc+ standard density

Angled face

Glass fiber backed



			Part No.					IPC Code
			40	60	80			
	4"	5/8"	G41091	G41092	G41093	15,300	10	G77
	4-1/2"	7/8"	G41001	G41002	G41003	13,300	10	G77
	5"	7/8"	G41006	-	-	12,000	10	G77
	6"	7/8"	G41121	G41122	G41123	10,200	10	G77
	7"	7/8"	G41011	G41012	G41013	8,600	10	G77

Below part numbers include a threaded hub for the flap discs.

	4"	3/8"-24	G41291	G41292	G41293	15,300	10	G77
	4-1/2"	5/8"-11	G41201	G41202	G41203	13,300	10	G77
	5"	5/8"-11	G41206	G41207	G41208	12,000	10	G77
	6"	5/8"-11	G41306	G41307	G41308	10,200	10	G77
	7"	5/8"-11	G41211	G41212	G41213	8,600	10	G77

Grits 40, 60, 80

Jumbo density

Type 29 Angled face

Glass fiber backed



			Part No.					IPC Code
			40	60	80			
	4"	5/8"	G41101	G41102	G41103	15,300	10	G78
	4-1/2"	7/8"	G41016	G41017	G41018	13,300	10	G78
	5"	7/8"	G41081	G41082	G41083	12,000	10	G78
	6"	7/8"	G41131	G41132	G41133	10,200	10	G78
	7"	7/8"	G41021	G41022	G41023	8,600	10	G78

Below part numbers include a threaded hub for the flap discs.

	4"	3/8"-24	G41301	G41302	G41303	15,300	10	G78
	4-1/2"	5/8"-11	G41216	G41217	G41218	13,300	10	G78
	5"	5/8"-11	G41281	G41282	G41283	12,000	10	G78
	6"	5/8"-11	G41311	G41312	G41313	10,200	10	G78
	7"	5/8"-11	G41221	G41222	G41223	8,600	10	G78

Grits 40, 60, 80

Ordering Information: For more information and/or to place an order, please contact ATA Customer Service at +330-928-7744 or by email sales@atatools.com







Specialized Applications

CERAMIQ®

Angled face

Glass fiber backed



		Grit	Part No.			IPC Code
4"	5/8"	24	G41415	15,300	10	72
4"	5/8"	36	G41416	15,300	10	72
4"	5/8"	40	G41417	15,300	10	72
4"	5/8"	60	G41418	15,300	10	72
4"	5/8"	80	G41419	15,300	10	72
4 1/2"	7/8"	24	G41400	13,300	10	72
4 1/2"	7/8"	36	G41401	13,300	10	72
4 1/2"	7/8"	40	G41402	13,300	10	72
4 1/2"	7/8"	60	G41403	13,300	10	72
4 1/2"	7/8"	80	G41404	13,300	10	72
5"	7/8"	24	G41405	12,000	10	72
5"	7/8"	36	G41406	12,000	10	72
5"	7/8"	40	G41407	12,000	10	72
5"	7/8"	60	G41408	12,000	10	72
5"	7/8"	80	G41409	12,000	10	72
7"	7/8"	24	G41410	8,600	10	72
7"	7/8"	36	G41411	8,600	10	72
7"	7/8"	40	G41412	8,600	10	72
7"	7/8"	60	G41413	8,600	10	72
7"	7/8"	80	G41414	8,600	10	72
Below part numbers include a threaded hub for the flap discs.						
4 1/2"	5/8"-11	24	G41900	13,300	10	72
4 1/2"	5/8"-11	36	G41901	13,300	10	72
4 1/2"	5/8"-11	40	G41902	13,300	10	72
4 1/2"	5/8"-11	60	G41903	13,300	10	72
4 1/2"	5/8"-11	80	G41904	13,300	10	72
5"	5/8"-11	24	G41905	12,000	10	72
5"	5/8"-11	36	G41906	12,000	10	72
5"	5/8"-11	40	G41907	12,000	10	72
5"	5/8"-11	60	G41908	12,000	10	72
5"	5/8"-11	80	G41909	12,000	10	72
7"	5/8"-11	24	G41910	8,600	10	72
7"	5/8"-11	36	G41911	8,600	10	72
7"	5/8"-11	40	G41912	8,600	10	72
7"	5/8"-11	60	G41913	8,600	10	72
7"	5/8"-11	80	G41914	8,600	10	72



Grits 24, 36, 40, 60, 80



CERAMIQ® flap – Aggressive metal finishing on difficult to grind and finish materials.

Ideal for steels, stainless steel, carbon steel, high nickel alloys and titanium.

- CUTS FASTER
- LASTS LONGER
- WASTES LESS. SAVES MONEY.

Ordering Information: For more information and/or to place an order, please contact ATA Customer Service at +330-928-7744 or by email sales@atatools.com

Zirconium flap discs



Industrial Applications







Standard density

Angled face

Glass fiber backed







		36	40	Part No.			80	120			IPC Code
4"	5/8"	G40083	G40084	G40086	G40087	G40088	15,300	10	G10		
4-1/2"	7/8"	G40090	G40091	G40093	G40094	G40095	13,300	10	G10		
5"	7/8"	G40097	G40098	G40099	G40100	G40101	12,000	10	G10		
6"	7/8"	G40800	G40801	G40802	G40803	G40804	10,200	10	G10		
7"	7/8"	G40103	G40104	G40106	G40107	G40108	8,600	10	G10		
Below part numbers include a threaded hub for the flap discs.											
4-1/2"	5/8"-11	G40602	G40640	G40603	G40604	G40621	13,300	10	G10		
5"	5/8"-11	G40642	G40643	G40644	G40645	G40646	12,000	10	G10		
6"	5/8"-11	G41800	G41801	G41802	G41803	G41804	10,200	10	G10		
7"	5/8"-11	G40606	G40680	G40607	G40608	G40622	8,600	10	G10		

Standard density

Flat face

Glass fiber backed







		36	40	Part No.			80	120			IPC Code
4"	5/8"	G40133	G40134	G40135	G40136	G40137	15,300	10	G10		
4-1/2"	7/8"	G40139	G40140	G40142	G40143	G40144	13,300	10	G10		
5"	7/8"	G40146	G40147	G40148	G40149	-	12,000	10	G10		
7"	7/8"	G40152	G40153	G40155	G40156	G40157	8,600	10	G10		
Below part numbers include a threaded hub for the flap discs.											
4-1/2"	5/8"-11	G40624	G40625	G40626	G40627	G40628	13,300	10	G10		
5"	5/8"-11	G40562	G40563	G40564	G40565	G40566	12,000	10	G10		
7"	5/8"-11	G40679	G40653	G40675	G40654	G40526	8,600	10	G10		

Standard density

Angled face

Aluminium backed



		36	40	Part No.			80	120			IPC Code
4"	5/8"	G40031	G40032	G40034	G40035	G40036	15,300	10	G10		
4-1/2"	7/8"	G40038	G40039	G40041	G40042	G40043	13,300	10	G10		
5"	7/8"	G40045	-	G40048	G40049	G40050	12,000	10	G10		
7"	7/8"	G40052	-	G40055	G40056	G40057	8,600	10	G10		
Below part numbers include a threaded hub for the flap discs.											
4-1/2"	5/8"-11	G40501	G40543	G40502	G40503	G40521	13,300	10	G10		
7"	5/8"-11	G40506	G40611	G40507	G40508	G40522	8,600	10	G10		

Grits 36, 40, 60, 80, 120



Standard Zirconium Flap disc – universal disc for use on a wide range of ferrous materials

- Ideal for use in applications, such as weld preparation, weld seam removal, surface blending and edge grinding
- Zirconium Flap disc offers consistent grinding and finishing performance
- Long life compared to resin fiber discs
- Reduced vibration and noise compared to depressed center grinding discs.

Ordering Information: For more information and/or to place an order, please contact ATA Customer Service at +330-928-7744 or by email sales@atatools.com



Aluminium oxide flap discs

Industrial Applications

Standard density

Angled face

Glass fiber backed



4"	5/8"	Part No.					max rpm	Box	IPC Code
		36	40	60	80	120			
4"	5/8"	G40058	G40059	G40060	G40061	-	15,300	10	G10
4-1/2"	7/8"	G40064	-	G40067	G40068	G40069	13,300	10	G10
5"	7/8"	G40071	G40072	G40073	-	G40075	12,000	10	G10
7"	7/8"	G40077	G40078	G40079	G40080	G40081	8,600	10	G10
Below part numbers include a threaded hub for the flap discs.									
4-1/2"	5/8"-11	G40630	G40631	G40632	G40633	G40634	13,300	10	G10
5"	5/8"-11	G40573	G40574	G40575	G40576	G40577	12,000	10	G10
7"	5/8"-11	G40666	G40667	G40668	G40669	G40670	8,600	10	G10



Standard density

Flat face

Glass fiber backed



4"	5/8"	Part No.					max rpm	Box	IPC Code
		36	40	60	80	120			
4"	5/8"	G40109	G40110	G40111	G40112	G40113	15,300	10	G10
4-1/2"	7/8"	G40115	G40116	G40118	G40119	G40120	13,300	10	G10
5"	7/8"	-	-	G40124	-	-	12,000	10	G10
7"	7/8"	-	G40129	G40130	-	G40132	8,600	10	G10
Below part numbers include a threaded hub for the flap discs.									
4-1/2"	5/8"-11	G40635	G40636	G40637	G40638	G40639	13,300	10	G10
5"	5/8"-11	G40556	G40557	G40558	G40559	G40560	12,000	10	G10
7"	5/8"-11	G40648	G40649	G40650	G40651	G40525	8,600	10	G10

Grits 36, 40, 60, 80, 120



Standard Aluminium Oxide Flapdisc – universal disc for non-ferrous metals & softer materials

- Ideal for use in applications where glazing of zirconium discs is a problem

Aluminium oxide discs offer:

- Reduced heat - less glazing and longer life
- Finer surface finish
- Rapid stock removal on soft based materials.

Ordering Information: For more information and/or to place an order, please contact ATA Customer Service at +330-928-7744 or by email sales@atatools.com

Abrasive Discs

Jumbo zirconium flap discs



Specialized Applications



Jumbo density

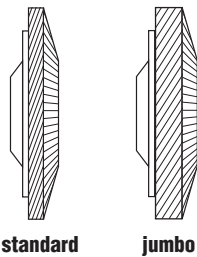
Angled face
Glass fiber backed



				Part No.						IPC Code
		36	40	60	80	120	max rpm			
4"	5/8"	G40346	G40343	G40344	G40345	-	15,300	10	G73	
4-1/2"	7/8"	G40300	G40301	G40302	G40303	G40304	13,300	10	G73	
5"	7/8"	G41500	G40340	G40341	G40342	-	12,000	10	G73	
6"	7/8"	G40810	G40811	G40812	G40813	G40814	10,200	10	G73	
7"	7/8"	G40319	G40320	G40321	G40322	G40335	8,600	10	G73	
Below part numbers include a threaded hub for the flap discs.										
4-1/2"	5/8"-11	G40615	G40678	G40616	G40617	G40664	13,300	10	G73	
5"	5/8"-11	G40550	G40551	G40552	G40553	-	12,000	10	G73	
6"	5/8"-11	G41810	G41811	G41812	G41813	G41814	10,200	10	G73	
7"	5/8"-11	G40618	G40546	G40619	G40620	G40547	8,600	10	G73	

Jumbo density

Angled face
Aluminium backed



standard

jumbo

				Part No.						IPC Code
		36	40	60	80	120	max rpm			
4-1/2"	7/8"	G40200	-	G40202	-	-	13,300	10	G73	
7"	7/8"	G40219	G40220	G40221	G40222	-	8,600	10	G73	
Below part numbers include a threaded hub for the flap discs.										
4-1/2"	5/8"-11	G40515	G40504	G40516	G40517	-	13,300	10	G73	
7"	5/8"-11	G40518	G40512	G40519	G40520	-	8,600	10	G73	

Grits 36, 40, 60, 80, 120



Premium Jumbo Flap Disc – contains up to 60% more useable abrasive material

- Jumbo discs can last up to double the life of a standard disc, resulting in fewer disc changeovers, less downtime and increased productivity
- The additional cloth provides a cushioned effect and softer 'feel' giving more control.

Ordering Information: For more information and/or to place an order, please contact ATA Customer Service at +330-928-7744 or by email sales@atatools.com



Jumbo aluminium oxide flap discs

Specialized Applications

Jumbo density

Angled face

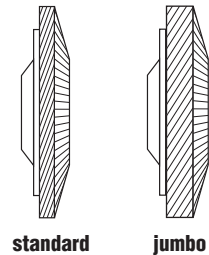
Glass fiber backed



		36	40	Part No.						IPC Code
				60	80	120				
4-1/2"	7/8"	-	G40310	G40311	G40312	-	13,300	10	G73	
7"	7/8"	-	G40330	G40331	-	G40334	8,600	10	G73	
Below part numbers include a threaded hub for the flap discs.										
4-1/2"	5/8"-11	-	G40540	G40541	G40542	-	13,300	10	G73	
7"	5/8"-11	G40544	G40672	G40673	G40674	G40545	8,600	10	G73	



Grits 36, 40, 60, 80, 120



standard

jumbo



Premium Jumbo Flap Disc – contains up to 60% more useable abrasive material

- Jumbo discs can last up to double the life of a standard disc, resulting in fewer disc changeovers, less downtime and increased productivity
- The additional cloth provides a cushioned effect and softer 'feel' giving more control.

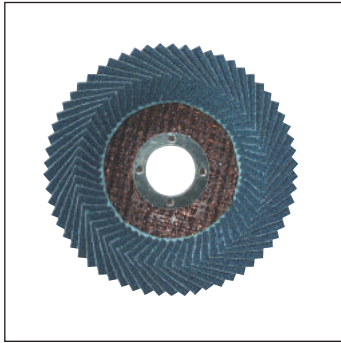
Ordering Information: For more information and/or to place an order, please contact ATA Customer Service at +330-928-7744 or by email sales@atatools.com

Abrasive Discs

Flexidisc®
Flexidisc®



Specialized Applications



Zirconium

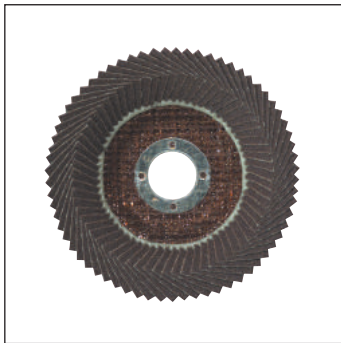
Flexible flap disc
Glass fiber backed



				Part No.					IPC Code
		36	40	60	80	120	max r.p.m.		
4-1/2"	7/8"	G40750	G40751	G40752	G40753	G40754	13,300	10	G14
7"	7/8"	G40780	G40781	G40782	G40783	G40784	8,600	10	G14

				Part No.					IPC Code
		36	40	60	80	120	max r.p.m.		
4-1/2"	5/8"-11	G40760	G40761	G40762	G40763	G40764	13,300	10	G14
7"	5/8"-11	G40789	G40785	G40786	G40787	G40788	8,600	10	G14

Grits 36, 40, 60, 80, 120



Aluminium oxide

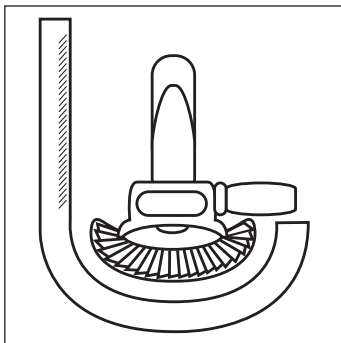
Flexible flap disc
Glass fiber backed



				Part No.					IPC Code
		36	40	60	80	120	max r.p.m.		
4-1/2"	7/8"	G40703	G40700	G40701	G40702	G40704	13,300	10	G14
7"	7/8"	G40770	G40771	G40772	G40773	G40774	8,600	10	G14

				Part No.					IPC Code
		36	40	60	80	120	max r.p.m.		
4-1/2"	5/8"-11	G40723	G40720	G40721	G40722	G40724	13,300	10	G14
7"	5/8"-11	G40775	G40776	G40777	G40778	G40779	8,600	10	G14

Grits 36, 40, 60, 80, 120



Premium Flexidisc® – FLEXIBLE PATENTED DISC

- Ideal disc for blending and finishing on large concave and convex surfaces, contours and profiles in applications such as pipe fabrications, vessels, tanks, enclosures or finishing of corner welds.

Flexidisc offers:

- Reduced risk of undercutting and gouging
- Long life compared to resin fiber discs.

Ordering Information: For more information and/or to place an order, please contact ATA Customer Service at +330-928-7744 or by email sales@atatools.com

Abrasive Discs



CERAMIQ® Flexidiscs®

Specialized Applications

CERAMIQ®

Flexible flap disc

Glass fiber backed



		Part No.				max r.p.m.		IPC Code
		36	40	60	80			
4-1/2"	7/8"	G48750	G48751	G48752	G48753	13,300	10	G14
5"	7/8"	G48755	G48756	G48757	G48758	12,000	10	G14

Grits 36, 40, 60, 80

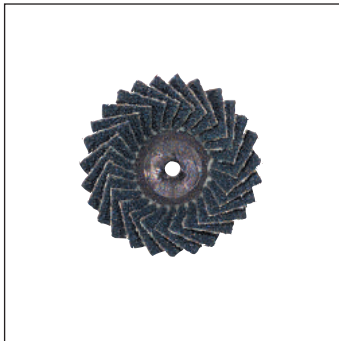


Ordering Information: For more information and/or to place an order, please contact ATA Customer Service at +330-928-7744 or by email sales@atatools.com

Mini-Flexidisc®



Specialized Applications



Zirconium

Mini flexible flap disc

Type R

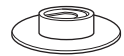


	36	40	Part No.					IPC Code
			60	80	120			
2"	G47560	G47561	G47562	G47563	G47564	30,000	10	G13
3"	G47580	G47581	G47582	G47583	G47584	20,000	10	G13

Zirconium

Mini flexible flap disc

Type S



	36	40	Part No.					IPC Code
			60	80	120			
2"	G47550	G47551	G47552	G47553	G47554	30,000	10	G13
3"	G47570	G47571	G47572	G47573	G47574	20,000	10	G13

Aluminium oxide

Mini flexible flap disc

Type R

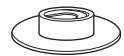


	36	40	Part No.					IPC Code
			60	80	120			
2"	-	G47511	G47512	G47513	G47514	30,000	10	G13
3"	-	G47531	G47532	G47533	G47534	20,000	10	G13

Aluminium oxide

Mini flexible flap disc

Type S



	36	40	Part No.					IPC Code
			60	80	120			
2"	-	-	G47501	G47502	-	30,000	10	G13
3"	-	G47521	-	G47523	G47524	20,000	10	G13

Grits

2": 36, 40, 60, 80, 120

3": 36, 40, 60, 80, 120



Premium Quickchange Mini-Flexidisc® – FLEXIBLE, SMALL DIAMETER FLAP DISC

- Ideal disc for blending and finishing on ferrous materials where accessibility is a problem and the work area is curved or profiled.

Mini Flexidisc offers:

- Improved access to awkward areas
- Minimised area of repair/work to reduce time spent on further finishing operations
- Flexibility for blending and finishing on curved surfaces, profiles and contours
- Quickchange locking system for convenient, quick changeover of discs.

Ordering Information: For more information and/or to place an order, please contact ATA Customer Service at +330-928-7744 or by email sales@ata-tools.com



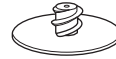
CERAMIQ® Mini-Flexidiscs®




Specialized Applications

CERAMIQ®

Mini flexible flap disc

Type R



	36	40	Part No.					IPC Code
			60	80	120			
2"	-	G48561	G48562	G48563	-	30,000	10	G13
3"	-	G48581	G48582	G48583	-	20,000	10	G13

Grits / Grains

2": 40, 60, 80







3": 40, 60, 80



Rubber holder pads

1/4" shank

Medium hardness

		Part No.			
					
2"	1/4"	G47995	G47998	25,000	1
3"	1/4"	G47994	G47999	20,000	1

Recommended operating speeds (rpm). Do not exceed LOWEST MAX RPM indicated on disc or holder.

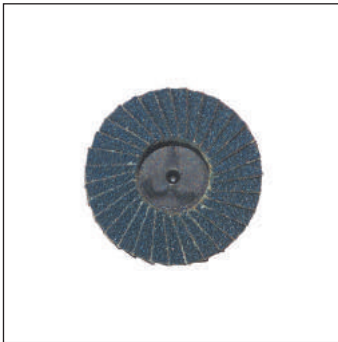


Ordering Information: For more information and/or to place an order, please contact ATA Customer Service at +330-928-7744 or by email sales@atatools.com

Minidiscs

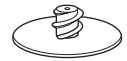





Specialized Applications

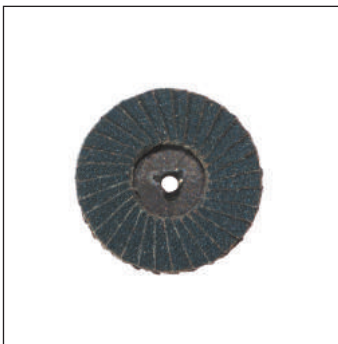


Zirconium

Type R






	36	40	Part No. 60	80	120			IPC Code
2"	G47040	G47041	G47042	G47043	G47044	30,000	10	G12
3"	G47060	G47061	G47062	G47063	G47064	20,000	10	G12



Zirconium

Type S



	36	40	Part No. 60	80	120			IPC Code
2"	G47000	G47001	G47002	G47003	G47004	30,000	10	G12
3"	G47034	G47030	G47031	G47032	G47033	20,000	10	G12

Grits

2": 36, 40, 60, 80, 120

3": 36, 40, 60, 80, 120



Premium Quickchange Minidisc – small diameter flap disc for ferrous materials

- Ideal for material removal and blending where accessibility is a problem or the work area needs to be kept to a minimum.

Minidisc offers:

- Improved access to small, awkward areas
- Minimized area of repair/work, reducing time spent on further finishing operations
- Exceptional life compared to traditional coated abrasive discs of the same diameter
- Quick change locking systems for

Ordering Information: For more information and/or to place an order, please contact ATA Customer Service at +330-928-7744 or by email sales@ataatools.com






CERAMIQ® Minidiscs®

Specialized Applications

CERAMIQ®

Type R

	36	40	Part No.		80	120			IPC Code
			60	80					
2"	G48040	G48041	G48042	G48043	-	30,000	10	G12	
3"	G48060	G48061	G48062	G48063	-	20,000	10	G12	

Grits

2": 36, 40, 60, 80





3": 36, 40, 60, 80



Rubber holder pad

1/4" shank

Medium hardness

		Part No.			
2"	1/4"	G47995	G47998	25,000	1
3"	1/4"	G47994	G47999	20,000	1

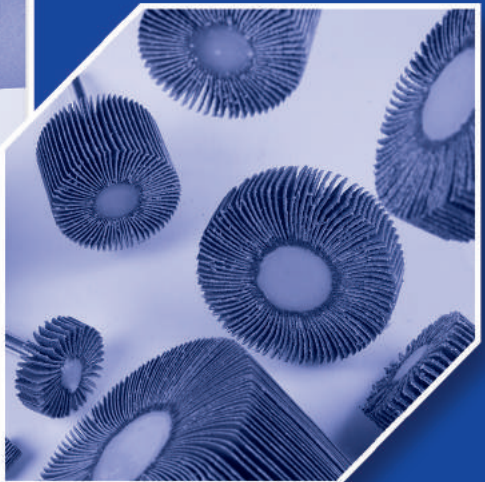


Recommended operating speeds (rpm). Do not exceed LOWEST MAX RPM indicated on disc or holder.

Ordering Information: For more information and/or to place an order, please contact ATA Customer Service at +330-928-7744 or by email sales@atatools.com

Abrasive Wheels

Refer to the ATA range of high and low speed straight die grinders, sanders and polishers.





CERAMIQ® flap wheel



CERAMIQ®

			Part No.				IPC Code
60	80						
1"	1"	1/4"	G18001	G18002	30,000	10	G03
2"	1"	1/4"	G18023	G18024	25,000	10	G03
3"	1"	1/4"	G18040	G18041	23,000	10	G03

Grits: 60, 80



Premium flap wheels

Aluminium oxide

Shaft mounted

1/4" shank

			Part No.												IPC Code
40	50	60	80	100	120	180	240	320							
3/4"	3/8"	1/4"	-	-	G20055	-	-	G20042	G10117	-	-	30,000	10	G01	
3/4"	5/8"	1/4"	-	-	G20067	G10115	-	G20065	-	G20039	-	30,000	10	G01	
3/4"	3/4"	1/4"	G10121	-	G20045	G20036	-	G20043	G10136	-	G20052	30,000	10	G01	
3/4"	1"	1/4"	-	-	G20037	G20038	-	G10119	G10094	-	-	30,000	10	G01	
1"	3/16"	1/4"	-	-	-	G10123	G10125	-	-	-	-	30,000	10	G01	
1"	3/8"	1/4"	-	-	-	G10127	G10128	G10129	-	-	-	30,000	10	G01	
1"	1/2"	1/4"	G10110	-	G20066	G10130	G10131	G10132	G10107	G10084	G10086	30,000	10	G01	
1"	5/8"	1/4"	-	-	G10005	G10006	G10150	G10007	G10008	G10100	G10101	30,000	10	G01	
1"	3/4"	1/4"	-	-	G10057	-	G10122	G10088	-	G20057	-	30,000	10	G01	
1"	1"	1/4"	G10073	G10103	G10001	G10002	-	G10003	G10004	G10080	G10081	30,000	10	G01	
1-3/16"	3/16"	1/4"	-	-	-	G10058	-	-	-	-	-	30,000	10	G01	
1-3/16"	1/4"	1/4"	-	-	G20054	G29001	-	-	-	-	-	30,000	10	G01	
1-3/16"	1/2"	1/4"	-	-	G20049	G20050	-	G20051	-	-	-	30,000	10	G01	
1-1/2"	3/8"	1/4"	-	-	-	-	-	-	-	-	G10078	30,000	10	G01	
1-1/2"	1/2"	1/4"	G10135	-	G10009	G10010	-	G10011	G10098	G10082	-	30,000	10	G01	
1-1/2"	3/4"	1/4"	-	-	G10069	G10070	-	-	-	-	-	30,000	10	G01	
1-1/2"	1"	1/4"	G10054	-	G10012	G10013	-	G10014	G10015	G10050	G10051	30,000	10	G01	
1-1/2"	1-1/2"	1/4"	-	-	G10074	-	-	-	-	-	-	30,000	10	G01	
2"	3/8"	1/4"	-	-	G10055	-	-	-	-	-	G10079	25,000	10	G01	
2"	1/2"	1/4"	G10087	-	G10016	G10017	-	G10018	G10109	G10056	G10066	25,000	10	G01	
2"	3/4"	1/4"	G10089	-	G10019	G10020	G10116	G10021	-	G10085	-	25,000	10	G01	
2"	1"	1/4"	G10046	-	G10023	G10024	-	G10025	G10026	G10027	G10028	25,000	10	G01	
2"	1-1/2"	1/4"	G10064	-	G10091	G10075	-	G10114	-	-	-	25,000	10	G01	
2"	2"	1/4"	G10120	G10105	G10092	G10065	-	G10108	G10095	-	-	25,000	6	G01	
2-1/2"	3/8"	1/4"	-	-	-	-	-	-	-	G10077	-	23,000	10	G01	
2-1/2"	1/2"	1/4"	G10111	-	G10029	-	-	G10031	G10112	-	-	23,000	10	G01	
2-1/2"	3/4"	1/4"	G10133	-	-	-	-	-	-	-	-	23,000	10	G01	
2-1/2"	1"	1/4"	G10083	-	G10032	G10033	-	G10034	G10035	G10052	G10053	23,000	10	G01	
2-1/2"	1-1/2"	1/4"	-	-	G10071	-	-	-	-	G10147	-	23,000	10	G01	
2-1/2"	2"	1/4"	G10124	-	-	-	-	-	-	-	-	23,000	6	G01	
3"	1/2"	1/4"	G10048	-	G10036	G10037	-	G10038	G10039	G10096	G10097	23,000	10	G01	
3"	3/4"	1/4"	-	-	G10118	G10113	-	-	G10146	-	-	23,000	10	G01	
3"	1"	1/4"	G10061	-	G10040	G10041	-	G10042	G10043	G10044	G10045	23,000	10	G01	
3"	1-1/2"	1/4"	-	-	G10134	G10149	-	G10138	G10141	-	-	20,000	10	G01	
3"	2"	1/4"	G10047	-	G10049	G10059	-	G10067	G10060	-	G10152	20,000	6	G01	



FLAP WHEELS are ideal for use on a wide range of materials.

- Ideal for stock removal, deburring, cleaning, blending and finishing.

e.g:

- Cleaning of weld surfaces
- Removing machine marks and flaws
- Finishing stainless steel vessels
- Removing die lines
- Removing flash from rubber and plastic surfaces
- Paint and rust removal
- Sanding wood.



Ordering Information: For more information and/or to place an order, please contact ATA Customer Service at +330-928-7744 or by email sales@atatools.com

Premium shank mounted flap wheels



Aluminium oxide

1/4" - 20 threaded mandrel

			Part Number					max rpm		IPC Code
			40	60	80	120	180			
3/4"	1"	1/4"-20	-	-	G10558	G10559	-	30,000	10	G01
1"	1/2"	1/4"-20	-	G10521	G10517	-	-	30,000	10	G01
1"	5/8"	1/4"-20	-	G10516	-	-	-	30,000	10	G01
1"	1"	1/4"-20	G10510	G10501	G10502	G10503	G10106	30,000	10	G01
1-1/4"	1"	1/4"-20	-	G10507	-	-	-	30,000	10	G01
1-1/2"	1/2"	1/4"-20	-	-	-	-	-	30,000	10	G01
1-1/2"	1"	1/4"-20	G10515	G10512	G10513	G10514	G10549	30,000	10	G01
2"	1/2"	1/4"-20	-	G10531	G10532	-	-	25,000	10	G01
2"	1"	1/4"-20	G10528	G10523	G10524	G10525	G10526	25,000	10	G01
2-1/2"	1"	1/4"-20	G10504	G10530	-	-	-	23,000	10	G01
3"	1/2"	1/4"-20	-	G10545	G10544	-	-	23,000	10	G01
3"	1"	1/4"-20	G10539	G10540	G10541	G10542	-	23,000	10	G01

Accessory

Description	Adaptor	Part Number		IPC Code
threaded mandrel	converts 1/4"-20 thread to 1/4" shank	G15000	10	G94

Other sizes and grits available on request



Miniature flap wheels



Aluminium oxide

Shaft mounted

1/8" / 1/4" shank

			Part No.								IPC Code
			40	60	80	120	180	240			
3/8"	3/8"	1/8"	-	G20047	G20001	G20002	G20003	G20060	40,000	10	G04
5/8"	5/8"	1/8"	-	G20046	G20004	G20005	G20006	G20056	40,000	10	G04
5/8"	3/4"	1/8"	-	-	G20007	-	-	-	40,000	10	G04
3/4"	3/16"	1/8"	-	G20061	G20010	G20011	-	-	35,000	10	G04
3/4"	3/8"	1/8"	-	-	G20013	G20014	G20015	-	35,000	10	G04
3/4"	1/2"	1/8"	-	-	-	G20018	G20019	-	35,000	10	G04
3/4"	5/8"	1/8"	-	-	G20021	G20022	G20023	G20039	35,000	10	G04
3/4"	3/4"	1/8"	-	G20041	G20025	G20026	G20027	-	35,000	10	G04
1-3/16"	3/16"	1/8"	-	-	G20029	G20030	G20031	-	30,000	10	G04
1-3/16"	3/8"	1/8"	-	-	-	G20033	G20034	-	30,000	10	G04

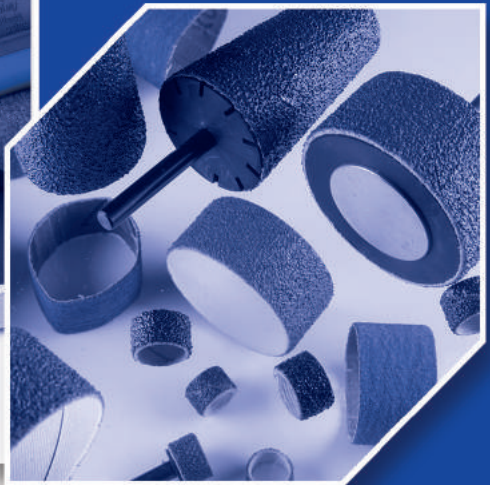


Miniature flap wheels are excellent for finishing, grinding and polishing of small intricate work-pieces.

Ordering Information: For more information and/or to place an order, please contact ATA Customer Service at +330-928-7744 or by email sales@atataools.com

Spirabands

Refer to the ATA range of high and low speed straight die grinders, sanders and polishers.



Spirabands

Spirabands



Aluminium oxide

Cylindrical

		50	Part No. 80	150			IPC Code
3/8"	3/8"	GBA1010050	GBA1010080	GBA1010150	36,000	50	G42
3/8"	3/4"	GBA1020050	GBA1020080	GBA1020150	36,000	50	G42
1/2"	3/8"	GBA1310050	GBA1310080	GBA1310150	36,000	50	G42
1/2"	1"	GBA1325050	GBA1325080	GBA1325150	36,000	50	G42
19/32"	3/8"	GBA1510050	GBA1510080	GBA1510150	36,000	50	G42
19/32"	1 3/16"	GBA1530050	GBA1530080	GBA1530150	36,000	50	G42
3/4"	1"	GBA1925050	GBA1925080	GBA1925150	30,000	50	G42
7/8"	25/32	GBA2220050	GBA2220080	GBA2220150	26,000	50	G42
1"	1"	GBA2525050	GBA2525080	GBA2525150	22,900	50	G42
1 3/16"	25/32	GBA3020050	GBA3020080	GBA3020150	19,100	50	G42
1 3/16"	1 3/16"	GBA3030050	GBA3030080	GBA3030150	19,100	50	G42
1 1/2"	1"	GBA3825050	GBA3825080	GBA3825150	15,100	50	G42
1 25/32"	1 3/16"	GBA4530050	GBA4530080	GBA4530150	12,700	50	G42
2"	1"	GBA5125050	GBA5125080	GBA5125150	11,200	50	G42
2 3/8"	1 3/16"	GBA6030050	GBA6030080	GBA6030150	9,500	50	G42
3"	1 3/16"	GBA7530050	GBA7530080	GBA7530150	7,600	50	G42
4"	1 37/64"	GBA10040050	GBA10040080	GBA10040150	5,700	50	G42



Aluminium oxide

Conical

Diameter	Diameter		50	Part No. 80	150			IPC Code
1 9/64"	7/8"	1 3/16"	GBA292230050	GBA292230080	GBA292230150	19,100	50	G42
1 13/32"	7/8"	2 3/8"	GBA362260050	GBA362260080	GBA362260150	15,900	50	G42



SPIRABANDS in Aluminium Oxide are specially bonded on tear resistant cloth they are ideal for use on soft metals such as aluminium, and non-ferrous materials.

Ideal applications:




- Weld removal
- Deburring
- Cleaning metals where access is restricted.

Ordering Information: For more information and/or to place an order, please contact ATA Customer Service at +330-928-7744 or by email sales@atataools.com



Zirconium




Cylindrical

		Part No.				IPC Code
50	80	50	80			
3/8"	3/8"	GBZ1010050	GBZ1010080	36,000	50	G42
3/8"	3/4"	GBZ1020050	GBZ1020080	36,000	50	G42
1/2"	3/8"	GBZ1310050	GBZ1310080	36,000	50	G42
1/2"	1"	GBZ1325050	GBZ1325080	36,000	50	G42
19/32	3/8"	GBZ1510050	GBZ1510080	36,000	50	G42
19/32	1 3/16"	GBZ1530050	GBZ1530080	36,000	50	G42
3/4"	1"	GBZ1925050	GBZ1925080	30,000	50	G42
7/8"	25/32	GBZ2220050	GBZ2220080	26,000	50	G42
1"	1"	GBZ2525050	GBZ2525080	22,900	50	G42
1 3/16"	25/32	GBZ3020050	GBZ3020080	19,100	50	G42
1 3/16"	1 3/16"	GBZ3030050	GBZ3030080	19,100	50	G42
1 1/2"	1"	GBZ3825050	GBZ3825080	15,100	50	G42
1 25/32"	1 3/16"	GBZ4530050	GBZ4530080	12,700	50	G42
2"	1"	GBZ5125050	GBZ5125080	11,200	50	G42
2 3/8"	1 3/16"	GBZ6030050	GBZ6030080	9,500	50	G42
3"	1 3/16"	GBZ7530050	GBZ7530080	7,600	50	G42
4"	1 37/64"	GBZ10040050	GBZ10040080	5,700	50	G42



Zirconium

Conical

			Part No.				IPC Code
Diameter	Diameter		50	80			
1 9/64"	7/8"	1 3/16"	GBZ292230050	GBZ292230080	19,100	50	G42
1 13/32"	7/8"	2 3/8"	GBZ362260050	GBZ362260080	15,900	50	G42



SPIRABANDS in Zirconium are specially bonded on tear resistant cloth they are ideal for use on hard metals such as steel, cast iron, stainless steel and high alloys.

Ideal applications:

- Weld removal
- Deburring
- Cleaning metals where access is restricted.

Ordering Information: For more information and/or to place an order, please contact ATA Customer Service at +330-928-7744 or by email sales@atatools.com

ATA Bands



The ATA Band holders consist of spindle mounted, positive fit expandable drums. This enables the use of higher grinding forces and / or slower speeds than standard spirabands.



Aluminium Oxide

Cylindrical

Cylindrical			36	50	80	Part No.			Holder	max rpm	
						120	150	180	Part No.		
5/8"	1/2"	1/4"	-	-	-	-	AB1512-150	-	AH1512	25,000	100
5/8"	1"	1/4"	-	AB1525-50	AB1525-80	AB1525-120	AB1525-150	-	AH1525	25,000	100
3/4"	1"	1/4"	-	AB2025-50	AB2025-80	-	AB2025-150	-	AH2025	25,000	100
1"	1"	1/4"	AB2525-36	AB2525-50	AB2525-80	AB2525-120	AB2525-150	AB2525-180	AH2525	18,000	100
1"	1 1/2"	1/4"	-	AB2538-50	AB2538-80	-	AB2538-150	-	AH2538	18,000	100
1 3/16"	1 3/16"	1/4"	AB3030-36	AB3030-50	AB3030-80	-	AB3030-150	-	AH3030	16,000	100
1 1/2"	1"	1/4"	AB3825-36	AB3825-50	AB3825-80	-	AB3825-150	-	AH3825	12,000	100
2"	1"	1/4"	AB5025-36	AB5025-50	AB5025-80	AB5025-120	AB5025-150	-	AH5025	10,000	100

*36g available for 1" bands and above

ATA Bands



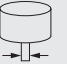


ATA Bands



The ATA Band holders consist of spindle mounted, positive fit expandable drums. This enables the use of higher grinding forces and / or slower speeds than standard spirabands.

Ceramic

Cylindrical

			Part No.		Holder Part No.		
			60	120			
1"	1"	1/4"	ABC2525-60	ABC2525-120	AH2525	18,000	100
1"	1 1/2"	1/4"	-	-	AH2538	18,000	100
1 3/16"	1 3/16"	1/4"	-	-	AH3030	16,000	100
1 1/2"	1"	1/4"	ABC3825-60	ABC3825-120	AH3825	12,000	100
2"	1"	1/4"	ABC5025-60	ABC5025-120	AH5025	10,000	100








Ordering Information: For more information and/or to place an order, please contact ATA Customer Service at +330-928-7744 or by email sales@atatools.com

Spirabands



Holders

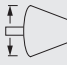
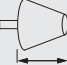
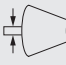


Cylindrical

			Part No.		
3/8"	3/8"	1/4"	GBH1010	36,000	1
3/8"	6/8"	1/4"	GBH1020	36,000	1
1/2"	3/8"	1/4"	GBH1310	36,000	1
1/2"	1"	1/4"	GBH1325	36,000	1
5/8"	3/8"	1/4"	GBH1510	36,000	1
5/8"	1 1/8"	1/4"	GBH1530	36,000	1
3/4"	1"	1/4"	GBH1925	30,000	1
7/8"	1/8"	1/4"	GBH2220	26,000	1
1"	1"	1/4"	GBH2525	24,000	1
1 1/8"	1/8"	1/4"	GBH3020	19,100	1
1 1/8"	1 1/8"	1/4"	GBH3030	19,100	1
1 1/2"	1"	1/4"	GBH3825	15,100	1
1 3/4"	1 1/8"	1/4"	GBH4530	12,700	1
2"	1"	1/4"	GBH5125	11,200	1
2 3/8"	1 1/8"	1/4"	GBH6030	9,500	1
3"	1 1/8"	5/16"	GBH7530	7,600	1
4"	1 5/8"	5/16"	GBH10040	5,700	1



Holders / Supports






Conical

			Part No.		
1 1/8" / 7/8"	1 1/8"	1/4"	GBH292230	19,100	1
1 3/8" / 7/8"	2 3/8"	1/4"	GBH362260	11,000	1



ATA Band Holders / Supports

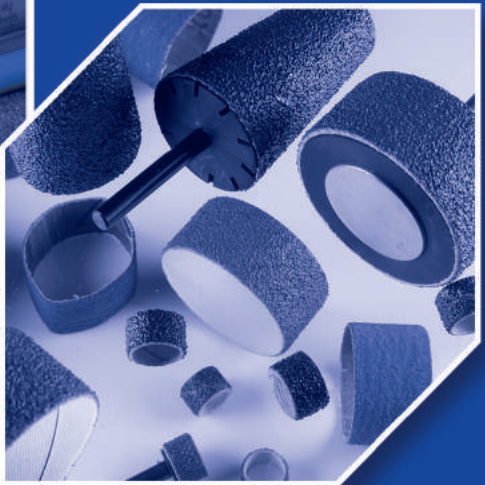
Cylindrical

			Part No.		
5/8"	4/8"	1/4"	AH1512	25,000	1
5/8"	1"	1/4"	AH1525	25,000	1
6/8"	1"	1/4"	AH2025	25,000	1
1"	1"	1/4"	AH2525	18,000	1
1"	1 1/2"	1/4"	AH2538	18,000	1
1 1/8"	1 1/8"	1/4"	AH3030	16,000	1
1 1/2"	1"	1/4"	AH3825	12,000	1
2"	1"	1/4"	AH5025	10,000	1

Ordering Information: For more information and/or to place an order, please contact ATA Customer Service at +330-928-7744 or by email sales@atatools.com

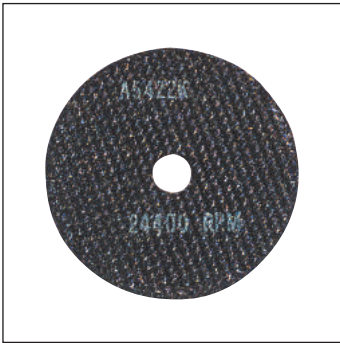
Grind & Cut Off Discs

Suitable ATA Pneumatic tool range RA13, RA14, RA8AVH, RA6AVH



Grind & Cut Off Discs






Flexi-cut®



Flexible cut off disc

Aluminium oxide

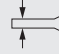
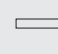

Reinforced glass fiber

			Grits	Part No.			IPC Code
3"	1/32"	3/8"	TA60T	G46060	25,450	50	G62
3"	1/16"	3/8"	TA46T	G46061	25,450	50	G62
4"	1/32"	3/8"	TA60T	G46062	19,000	50	G62
4"	1/16"	3/8"	TA46T	G46063	19,000	25	G62
4"	0.045	5/8"	TA60T	G46064	19,000	25	G62
4-1/2"	0.045	7/8"	TA60T	G46065	17,000	25	G62
5"	0.045	7/8"	TA60T	G46066	15,300	25	G62
6"	0.045	7/8"	TA60T	G46067	10,200	25	G62

Other sizes and grits available on request



Flexi-cut® mandrels

		Part No.	
3/8"	3/8"	G15010	1
1/4"	3/8"	G15011	1



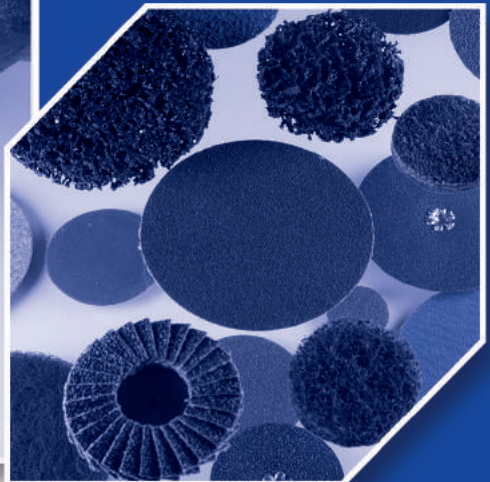
Flexi-cut® cut off disc

Reinforced with woven fibre glass of the highest tensile strength enabling them to withstand severe peripheral, side and edge stress.

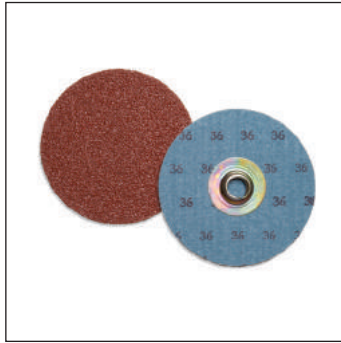
- Ideal for preparing, cut-off notching and slotting and grinding out defects on a wide range of materials, including ceramics, mild steel, aluminium, titanium and nimonics .

Quickchange

Suitable ATA Pneumatic tool range RA20LR, RA10LR, RA13C, RP25R, RAB4LR



Quickchange discs



Aluminium oxide discs / 2 ply laminated

Type R

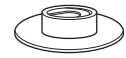


Part No.	Part No.						max rpm	Holder	Box	IPC CODE
	24	36	40	50	60	80				
1-1/2"	-	G55183	-	G55185	G55186	G55187	25,000	G47986	100	G46
2"	G55194	G55195	-	G55197	G55198	G55199	25,000	G47995	100	G46
3"	G55206	G55207	-	G55209	G55210	G55211	20,000	G47994	50	G46

Part No.	Part No.						max rpm	Holder	Box	IPC CODE
	100	120	150	180	240	320				
1-1/2"	-	G55189	-	-	-	-	25,000	G47986	100	G46
2"	G55200	G55201	-	G55203	G55204	G55205	25,000	G47995	100	G46
3"	G55212	G55213	-	G55215	G55216	G55217	20,000	G47994	50	G46

Aluminium oxide discs / 2 ply laminated

Type S



Part No.	Part No.						max rpm	Holder	Box	IPC CODE
	24	36	40	50	60	80				
1"	-	G55231	G55232	G55233	G55234	G55235	40,000	G47917	100	G46
1-1/2"	-	G55243	G55244	G55245	G55246	G55247	40,000	G47988	100	G46
2"	G55254	G55255	G55256	G55257	G55258	G55259	25,000	G47998	100	G46
3"	G55266	G55267	G55268	G55269	G55270	G55271	20,000	G47999	50	G46

Part No.	Part No.						max rpm	Holder	Box	IPC CODE
	100	120	150	180	240	320				
1"	G55236	G55237	-	G55239	G55240	-	40,000	G47917	100	G46
1-1/2"	G55248	G55249	G55250	G55251	G55252	G55253	40,000	G47988	100	G46
2"	G55260	G55261	G55262	G55263	G55264	G55265	25,000	G47998	100	G46
3"	G55272	G55273	G55274	G55275	G55276	G55277	20,000	G47999	50	G46

Recommended operating speeds (rpm). Do not exceed LOWEST MAX RPM indicated on disc or holder.



Aluminium Oxide Quickchange Discs

- Ideal for general purpose grinding, deburring, blending and edge grinding on ferrous and non ferrous materials
- High initial rate of cut, and sustained rate of cut throughout life
- Excellent durability for edge grinding.

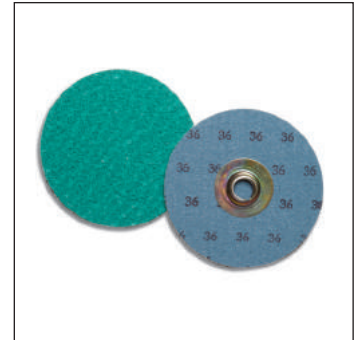
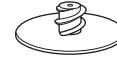
Ordering Information: For more information and/or to place an order, please contact ATA Customer Service at +330-928-7744 or by email sales@atatools.com



Quickchange discs

Zirconium discs with grinding aid / 2 ply laminated /

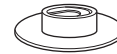
Type R



Disc Size	Part No.						max rpm	Holder	Box	IPC Code
	36	40	50	60	80	120				
1-1/2"	G55056	G55057	G55058	G55059	G55060	G55061	25,000	G47986	100	G46
2"	G55062	G55063	G55064	G55065	G55066	G55067	25,000	G47995	100	G46
3"	G55068	G55069	G55070	G55071	G55072	G55073	20,000	G47994	50	G46

Zirconium discs with grinding aid / 2 ply laminated

Type S



Disc Size	Part No.						max rpm	Holder	Box	IPC Code
	36	40	50	60	80	120				
1-1/2"	G55086	G55087	G55088	G55089	G55090	G55091	25,000	G47988	100	G46
2"	G55092	G55093	G55094	G55095	G55096	G55097	25,000	G47998	100	G46
3"	G55098	G55099	G55100	G55101	G55102	G55103	20,000	G47999	50	G46

Recommended operating speeds (rpm). Do not exceed LOWEST MAX RPM indicated on disc or holder.



Zirconium Quickchange Disc – with grinding aid.

- Ideal for use on titanium, hastalloy, inconel and other exotic materials, including composites
- Rapid stock removal at medium to high pressure
- Durability.

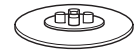
Ordering Information: For more information and/or to place an order, please contact ATA Customer Service at +330-928-7744 or by email sales@atatools.com

ATA Quickchange discs



Aluminium Oxide

ATA Lock System



Disc Size	Part No.									max rpm	Quantity
	36	50	60	80	120	180	240	320			
3/4"	-	AD20-50	AD20-60	AD20-80	AD20-120	AD20-180	AD20-240	AD20-320	37,000	50	
1"	AD25-36	AD25-50	AD25-60	AD25-80	AD25-120	AD25-180	AD25-240	AD25-320	37,000	50	
1 1/2"	AD38-36	AD38-50	AD38-60	AD38-80	AD38-120	AD38-180	AD38-240	AD38-320	25,000	50	
2"	AD50-36	AD50-50	AD50-60	AD50-80	AD50-120	AD50-180	AD50-240	AD50-320	25,000	50	
3"	AD75-36	AD75-50	AD75-60	AD75-80	AD75-120	AD75-180	AD75-240	AD75-320	20,000	50	

Aluminium Oxide

Type S



Disc Size	Part No.									max rpm	Quantity
	36	50	60	80	120	180	240	320			
3/4"	-	-	SD20-60	SD20-80	SD20-120	SD20-180	-	-	37,000	50	
1"	SD25-36	SD25-50	SD25-60	SD25-80	SD25-120	SD25-180	SD25-240	-	37,000	50	
1 1/2"	SD38-36	SD38-50	SD38-60	SD38-80	SD38-120	SD38-180	SD38-240	-	25,000	50	
2"	SD50-36	SD50-50	SD50-60	SD50-80	SD50-120	SD50-180	SD50-240	-	25,000	50	
3"	SD75-36	SD75-50	SD75-60	SD75-80	SD75-120	SD75-180	SD75-240	-	20,000	50	

Aluminium Oxide

Type R



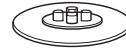
Disc Size	Part No.									max rpm	Quantity
	36	50	60	80	120	180	240	320			
1"	-	RD25-50	RD25-60	RD25-80	RD25-120	RD25-180	-	-	37,000	50	
1 1/2"	RD38-36	RD38-50	RD38-60	RD38-80	RD38-120	RD38-180	-	-	25,000	50	
2"	RD50-36	RD50-50	RD50-60	RD50-80	RD50-120	RD50-180	RD50-240	-	25,000	50	
3"	RD75-36	RD75-50	RD75-60	RD75-80	RD75-120	RD75-180	RD75-240	-	20,000	50	

Ordering Information: For more information and/or to place an order, please contact ATA Customer Service at +330-928-7744 or by email sales@atatools.com



ATA Quickchange discs

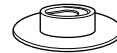
Zirconia Alumina ATA Lock System



Disc Size	Part No.				max rpm	Box
	36	50	60	80		
1"	ADZ25-36	ADZ25-50	ADZ25-60	ADZ25-80	37,000	50
1 1/2"	ADZ38-36	ADZ38-50	ADZ38-60	ADZ38-80	25,000	50
2"	ADZ50-36	ADZ50-50	ADZ50-60	ADZ50-80	25,000	50
3"	ADZ75-36	ADZ75-50	ADZ75-60	ADZ75-80	20,000	50



Zirconia Alumina Type S



Disc Size	Part No.				max rpm	Box
	36	50	60	80		
2"	SDZ50-36	SDZ50-50	SDZ50-60	SDZ50-80	25,000	50
3"	SDZ75-36	SDZ75-50	SDZ75-60	SDZ75-80	20,000	50

Zirconia Alumina Type R



Disc Size	Part No.				max rpm	Box
	36	50	60	80		
2"	RDZ50-36	RDZ50-50	RDZ50-60	RDZ50-80	25,000	50
3"	RDZ75-36	RDZ75-50	RDZ75-60	RDZ75-80	20,000	50




Ordering Information: For more information and/or to place an order, please contact ATA Customer Service at +330-928-7744 or by email sales@atatools.com

ATA Quickchange discs






Ceramic ATA Lock System



	Part No.						
	36	50	60	80	120		
3/4"	-	-	ADC20-60	-	-	37,000	50
1"	ADC25-36	ADC25-50	ADC25-60	-	-	37,000	50
1 1/2"	ADC38-36	ADC38-50	ADC38-60	-	-	25,000	50
2"	ADC50-36	ADC50-50	ADC50-60	ADC50-80	ADC50-120	25,000	50
3"	ADC75-36	ADC75-50	ADC75-60	ADC75-80	ADC75-120	25,000	50




Ceramic Type S



	Part No.						
	36	50	60	80	120		
2"	SDC50-36	SDC50-50	SDC50-60	SDC50-80	SDC50-120	25,000	50
3"	SDC75-36	SDC75-50	SDC75-60	SDC75-80	SDC75-120	20,000	50

Ceramic Type R



	Part No.						
	36	50	60	80	120		
2"	RDC50-36	RDC50-50	RDC50-60	RDC50-80	RDC50-120	25,000	50
3"	RDC75-36	RDC75-50	RDC75-60	RDC75-80	RDC75-120	20,000	50

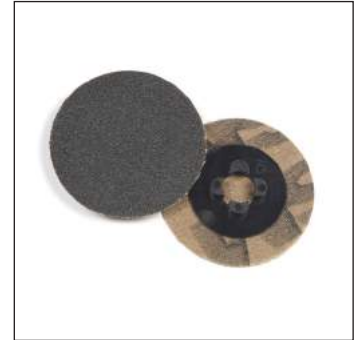


ATA Quickchange discs

Silicon Carbide ATA Lock System



	36	60	Part No.				
			80	120	240		
2"	ADSC50-36	ADSC50-60	ADSC50-80	ADSC50-120	ADSC50-240	25,000	50
3"	ADSC75-36	ADSC75-60	ADSC75-80	ADSC75-120	ADSC75-240	20,000	50



Silicon Carbide Type S



	36	60	Part No.				
			80	120	240		
2"	SDSC50-36	SDSC50-60	SDSC50-80	SDSC50-120	SDSC50-240	25,000	50
3"	SDSC75-36	SDSC75-60	SDSC75-80	SDSC75-120	SDSC75-240	20,000	50

Silicon Carbide Type R



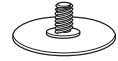
	36	60	Part No.				
			80	120	240		
2"	RDSC50-36	RDSC50-60	RDSC50-80	RDSC50-120	RDSC50-240	25,000	50
3"	RDSC75-36	RDSC75-60	RDSC75-80	RDSC75-120	RDSC75-240	20,000	50




Ordering Information: For more information and/or to place an order, please contact ATA Customer Service at +330-928-7744 or by email sales@atatools.com

ATA Quickchange discs



SCRULOK Resin Fibre Discs - Zirconia Alumina



	Part No.					
	24	36	50	80		
2"	SLD50-24	SLD50-36	SLD50-50	SLD50-80	25,000	50
3"	SLD75-24	SLD75-36	SLD75-50	SLD75-80	20,000	50

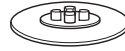
Ordering Information: For more information and/or to place an order, please contact ATA Customer Service at +330-928-7744 or by email sales@atataools.com



ATA Quickchange discs

ATAbrite Surface conditioning Disc

ATA Lock System

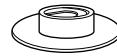


Disc Size	Part No.			max r.p.m.	Box Qty
	Fine	Medium	Course		
1"	ABRS25F	ABRS25M	ABRS25C	37,000	20
1 1/2"	ABRS38F	ABRS38M	ABRS38C	25,000	20
2"	ABRS50F	ABRS50M	ABRS50C	20,000	20
3"	ABRS75F	ABRS75M	ABRS75C	17,000	20



ATAbrite Surface conditioning Disc

Type S



Disc Size	Part No.			max r.p.m.	Box Qty
	Fine	Medium	Course		
2"	SDS50F	SDS50M	SDS50C	20,000	20
3"	SDS75F	SDS75M	SDS75C	17,000	20

ATAbrite Surface conditioning Disc

Type R



Disc Size	Part No.			max r.p.m.	Box Qty
	Fine	Medium	Course		
2"	RDS50F	RDS50M	RDS50C	20,000	20
3"	RDS75F	RDS75M	RDS75C	17,000	20

Ordering Information: For more information and/or to place an order, please contact ATA Customer Service at +330-928-7744 or by email sales@atatools.com

ATA Quickchange discs

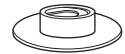


ATAbrite Clean & Finish ATA Lock System



Disc Size	Part No.			max life	Box
	Fine	Medium	Course		
1"	ABRF25F	ABRF25M	ABRF25C	37,000	20
1 1/2"	ABRF38F	ABRF38M	ABRF38C	25,000	20
2"	ABRF50F	ABRF50M	ABRF50C	20,000	20
3"	ABRF75F	ABRF75M	ABRF75C	17,000	20

ATAbrite Clean & Finish Type S



Disc Size	Part No.			max life	Box
	Fine	Medium	Course		
2"	SDF50F	SDF50M	SDF50C	20,000	20
3"	SDF75F	SDF75M	SDF75C	17,000	20

ATAbrite Clean & Finish Type R



Disc Size	Part No.			max life	Box
	Fine	Medium	Course		
2"	RDF50F	RDF50M	RDF50C	20,000	20
3"	RDF75F	RDF75M	RDF75C	17,000	20

Ordering Information: For more information and/or to place an order, please contact ATA Customer Service at +330-928-7744 or by email sales@atatools.com



ATA Quickchange discs

ATAflex Long Life Cotton Fiber

Type R



	Part No.					
	36	54	80	125		
1"	CFD25-36	CFD25-54	CFD25-80	CFD25-125	37,000	50
1 1/2"	CFD38-36	CFD38-54	CFD38-80	CFD38-125	25,000	50
2"	CFD50-36	CFD50-54	CFD50-80	CFD50-125	25,000	50
3"	CFD75-36	CFD75-54	CFD75-80	CFD75-125	17,000	50



ATAflex Long Life Cotton Fiber

Type S



	Part No.					
	36	54	80	125		
2"	SCFD50-36	SCFD50-54	SCFD50-80	SCFD50-125	20,000	50
3"	SCFD75-36	SCFD75-54	SCFD75-80	SCFD75-125	17,000	50

ATAflex Long Life Cotton Fiber

Type R



	Part No.					
	36	54	80	125		
2"	RCFD50-36	RCFD50-54	RCFD50-80	RCFD50-125	20,000	50
3"	RCFD75-36	RCFD75-54	RCFD75-80	RCFD75-125	17,000	50

Ordering Information: For more information and/or to place an order, please contact ATA Customer Service at +330-928-7744 or by email sales@atatools.com

Accessories



Rubber holder pads

Type R/Type S
Medium hardness

Note: 1/4" shank is removable.

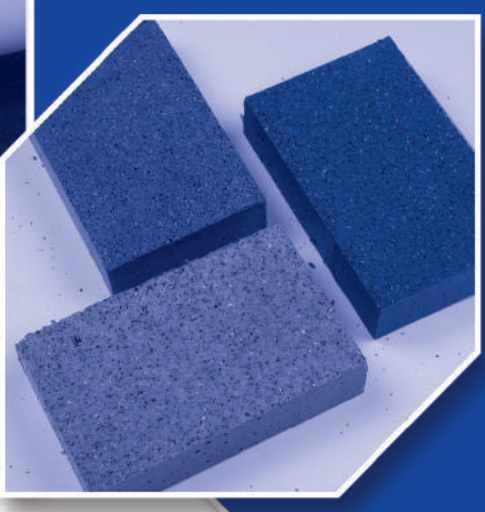
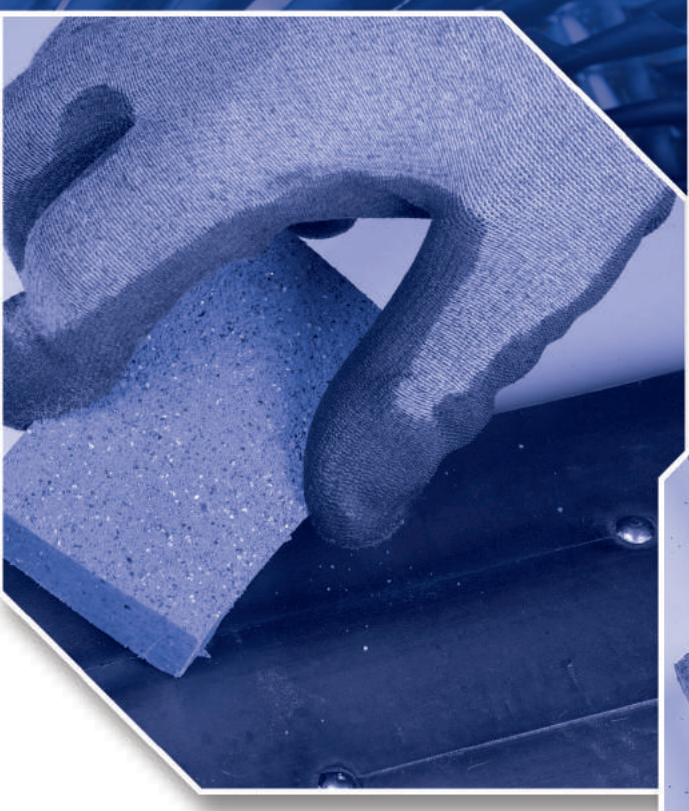
				Part Number				IPC Code
				type R	type S			
2"	1/4"	-	G47995	G47998	25,000	1	G94	
2"	-	3/8"-24	G47930	G47931	25,000	1	G94	
3"	1/4"	-	G47994	G47999	20,000	1	G94	
3"	-	3/8"-24	G47932	G47933	20,000	1	G94	
3"	-	5/8"-11	G47990	G47997	20,000	1	G94	



Recommended operating speeds (rpm).

Do not exceed LOWEST MAX RPM indicated on disc or holder.

Abrasive Blocks





Rubber abrasive block

	Grade	Grits	Color	Part No.	
3 1/8" x 2" x 3/4"	Extra Coarse	36	pink	G50001	18
3 1/8" x 2" x 3/4"	Coarse	60	blue	G50002	18
3 1/8" x 2" x 3/4"	Medium	120	grey	G50003	18
3 1/8" x 2" x 3/4"	Fine	240	brown	G50004	18

Trial kit

Part No.	Grade	
G50010	Coarse	6
	Medium	6
	Fine	6



ABRASIVE BLOCKS

Ideal for removing of bluing of welds, light scratches and corrosion

Abrasive blocks offers:

- Consistent finish throughout the life of the block compared to other abrasive cloths and papers.

Ordering Information: For more information and/or to place an order, please contact ATA Customer Service at +330-928-7744 or by email sales@atatools.com

Safety Instructions



Read Instructions

Abrasive Operations Safety User Information

WARNING:

In normal grinding and finishing operations, material that is being removed from the work piece, such as burs, scale, dirt, weld slag or other residue, will breakaway with considerable force. Also any coated abrasives, will cause cloth and abrasive grain to be released into the atmosphere.

The potential of serious injury exists for both the abrasive operator and others in the direct work area. To protect against this hazard, operators and others in the area **MUST** wear appropriate protective clothing and safety equipment such as **SAFETY GOGGLES** or **FULL FACE SHIELDS**, along with **PROTECTIVE CLOTHING AND RESPIRATORY EQUIPMENT**.

All operators must follow the safety instructions as well as common safety practices to reduce the likelihood or severity of physical injury.

Do not use wet



Wear safety glasses



Wear ear defenders



Wear protective gloves



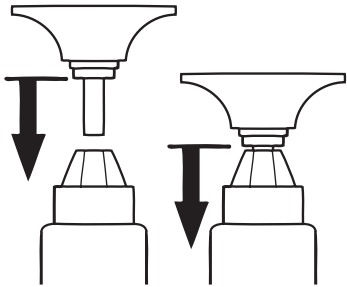
Wear protective mask



Read instructions



1. **SAFETY GOGGLES:** Approved safety goggles or full face shields **MUST BE WORN** over protective glasses with side shields by all **OPERATORS** and **OTHERS** IN THE SURROUNDING AREAS.
2. **GUARDS:** Always keep all guards in place on any equipment and read operating equipment instructions.
3. **SPEEDS:** Always observe speed restrictions indicated on the abrasive product, containers, labels or printed material and the machine. "MAX RPM " means: Maximum Revolutions Per Minute. **THIS MUST NOT BE EXCEEDED UNDER ANY CIRCUMSTANCE.**
4. When using an abrasive product or accessory with a shank, make sure the shank is fitted securely into the machine with no more than 3/16" overhang between the chuck or collet.



DO NOT ALLOW UNSAFE CONDITIONS. Worn bearings, bent spindles, unbalanced machines, unusual application, operator abuse or inappropriate use are considered unsafe conditions and may cause the abrasive product to fail. Specifically with bonded abrasives a hard impact may damage the product. Additionally, bonded abrasives must be used in accordance to their specific use-by date. Do not use, or continue to use, an abrasive product which is functioning improperly (i.e. out-of-balance, etc) as this increases the possibility for the abrasive to fail and cause of injury. Any failure or unsafe condition should be evaluated and corrected immediately.

NOTE:
"Safety data and instructions are typical and should not be construed as complete for the abrasive product and the equipment being used. Safety procedures may vary and should be specific to the equipment being used, speeds of operations, material being finished, selected abrasives, and other parameters."

Garryson®



US OFFICES ATA TOOLS INC., 238 MARC DRIVE,
CUYAHOGA FALLS, OHIO 44223

T: +1 330 928 7744
F: +1 330 849 2977

E: SALES@ATATOOLS.COM
W: WWW.ATATOOLS.COM

UK OFFICES ATA GARRYSON, SPRING ROAD, IBSTOCK,
LEICESTERSHIRE, LE67 6LR, UK

T: +44 (0)1530 261145
F: +44 (0)1530 262801

E: SALES@ATAGROUPUK.COM
W: WWW.ATAGROUPUK.COM

INTERNATIONAL OFFICES IDA BUSINESS & TECHNOLOGY PARK,
KILLYGARRY, CAVAN, CO. CAVAN, IRELAND

T: +353 (0) 49 432 6178
F: +353 (0) 49 432 6298

E: SALES@ATAGROUP.IE
W: WWW.ATAGROUP.IE

