



# CABALO

*Where performance meets design.*

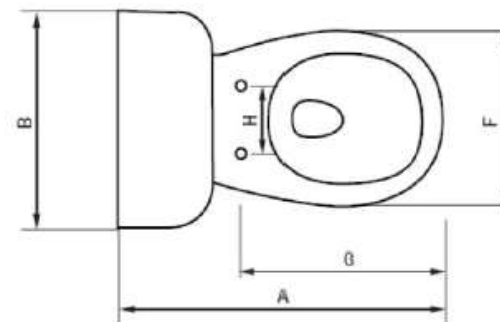
## Z15R15/S17248 Saint John



### Features:

#### MAP 800 grams

- 15" height from floor to the top of the bowl rim
- 1.28 GPF / 4.8L high efficiency flush
- 2" completely glazed trapway
- 2" diameter flapper
- Anti-siphon quiet refill valve, non ballcock style
- Ceramic with jet siphon action bowl flush design
- Large water surface in bowl
- White or chrome plated trip lever
- 12" rough in
- With lined tank
- Toilet seat not included, but available
- Includes two colour matched bolt caps, tank to bowl bolts and rubber tank to bowl gasket
- Available in white finish
- Fittings could be replaced by "fluidmaster" fittings, and the SKU# as below
- Fill valve: 400A
- Flush valve: 507



	inch	mm
A	26.4	670
B	16.1	408
C	30.1	764
D	12.0	305
E	15.0	380
F	14.4	365
G	16.5	420
H	5.5	140