



# CABALO

*Where performance meets design.*

## Z58R16/S19348 Portland



### Features:

#### MAP 1000 grams

16.5" - comfortable height

1.28 GPF/4.8L high efficient flush

2.13" completely glazed trapway

3" flapper (air bleed early closing) to maximize water flow

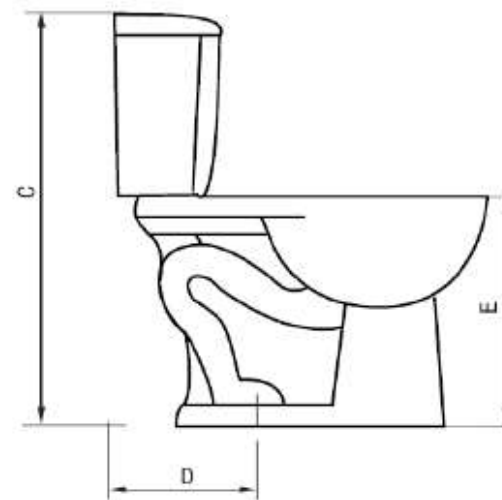
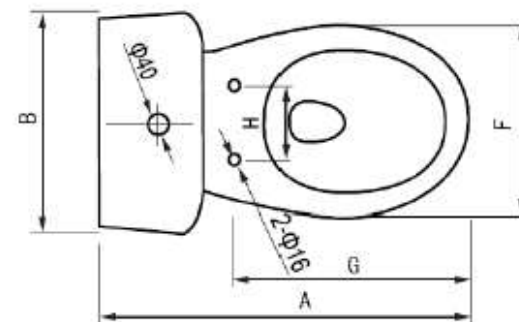
Anti-siphon quiet refill valve, non ballcock style

Ceramic with a gravity fed siphon action bowl flush design

White or chrome plated trip lever

12" rough in

With lined tank



	inch	mm
A	27.4	695
B	18.6	472
C	31.6	803
D	12.0	305
E	16.5	420
F	14.5	368
G	16.5	420
H	5.5	140