



CABALO

Where performance meets design.

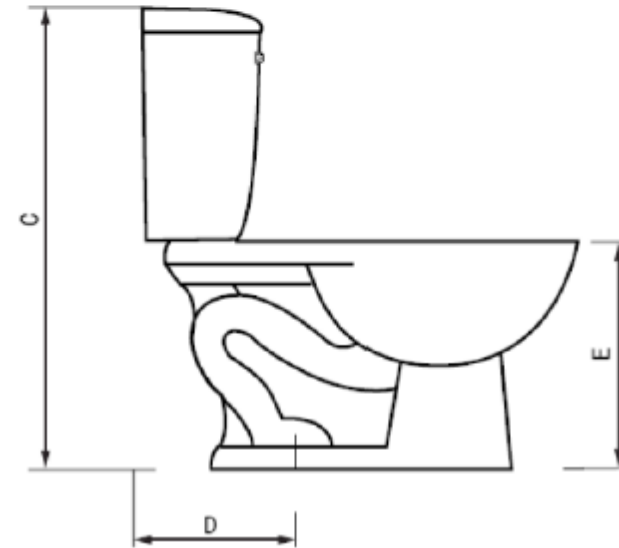
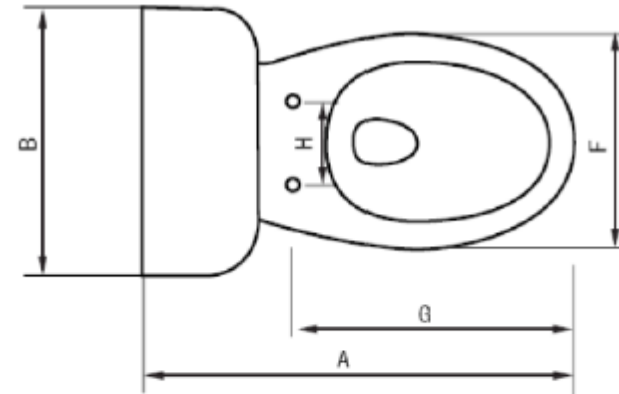
Z59E16/S19348 Chicago



Features:

MAP 1000 grams

- 16.5" - comfortable height
- 1.28 GPF/4.8L high efficient flush
- 2.13" completely glazed trapway
- 3" flapper (air bleed early closing) to maximize water flow
- Anti-siphon quiet refill valve, non ballcock style
- Ceramic with a gravity fed siphon action bowl flush design
- White or chrome plated trip lever
- 12" rough in
- With lined tank



| | inch | mm |
|---|------|-----|
| A | 30.7 | 780 |
| B | 18.6 | 472 |
| C | 31.3 | 795 |
| D | 12.0 | 305 |
| E | 16.8 | 420 |
| F | 14.4 | 365 |
| G | 18.5 | 470 |
| H | 5.5 | 140 |