

Be Off The Grid com Inc.

Compatible LED Tubes

Commercial LED lighting supplier

LED T8 tube

-Ballast Fully Compatible



Model Number:

HDS-BL-T8-18W1200 BQET+

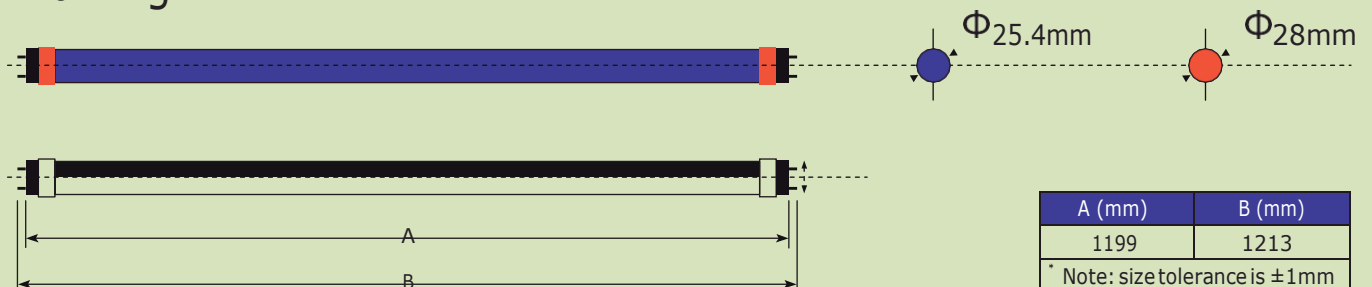
Performance Summary

- ⊙ Directly replace florescent 4ft T8-plug and play, no rewiring
- ⊙ Fully compatible with most of magnetic ballast or electronics ballast
- ⊙ Fully functional by-passing existing ballast in the circuit
- ⊙ 4ft, 18W, lumen efficacy of 110~120lm/W, 50% energy saving
- ⊙ CRI:Ra>80, THD<20
- ⊙ **UL/cUL, DLC Certified**
- ⊙ **5 year Warranty**

Ordering Information:

Model No.	Description	Lumen efficacy	Length	Input Voltage	Watts	Lumens	Certificates
HDS- BL-T8-18W1200 BQET+	18W,T8 tube,1200mm/4ft, non-dim, ballast compatible, instant fit, no re-wiring	110~120lm/W	1200mm/ 4ft	100-277V ac (cover 100-120V ac)	18	WW:1,680lm CW:1,880lm	UL/cUL, DLC

Drawing:



www.beoffthegrid.com

info@beoffthegrid.com

1-908-507-5809



LM79
LM80



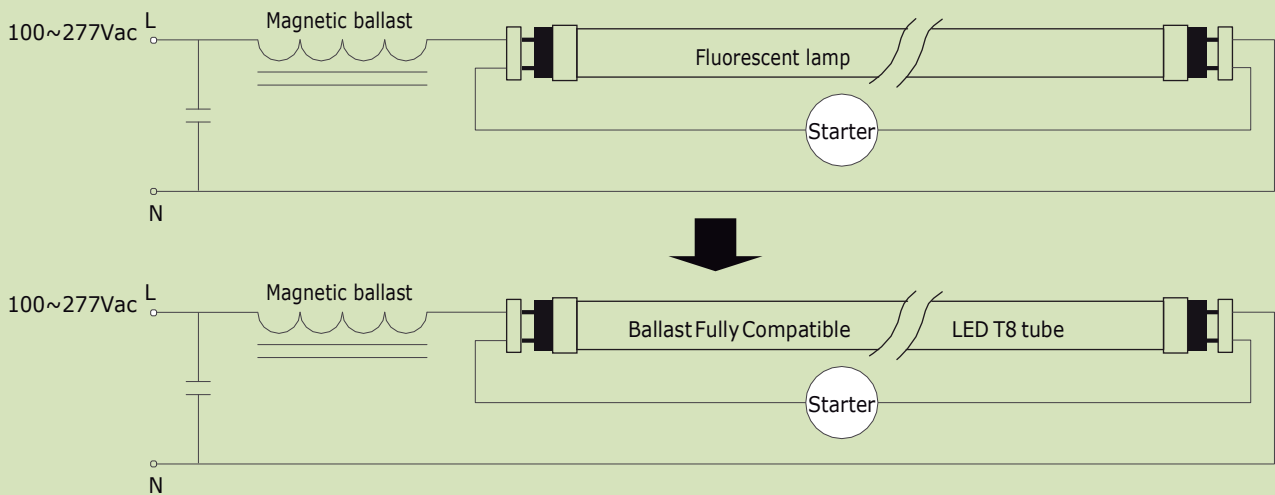
Be Off The Grid com Inc.

Compatible LED Tubes

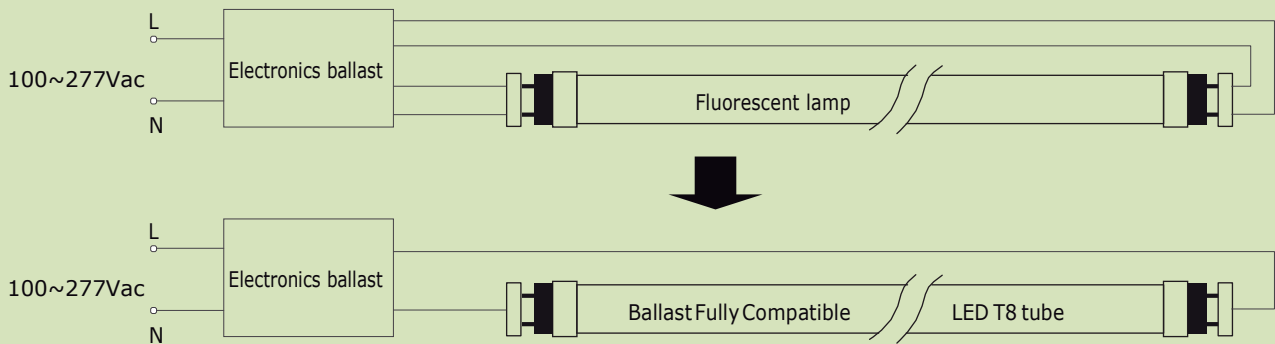
Commercial LED lighting supplier

Installation Diagrams

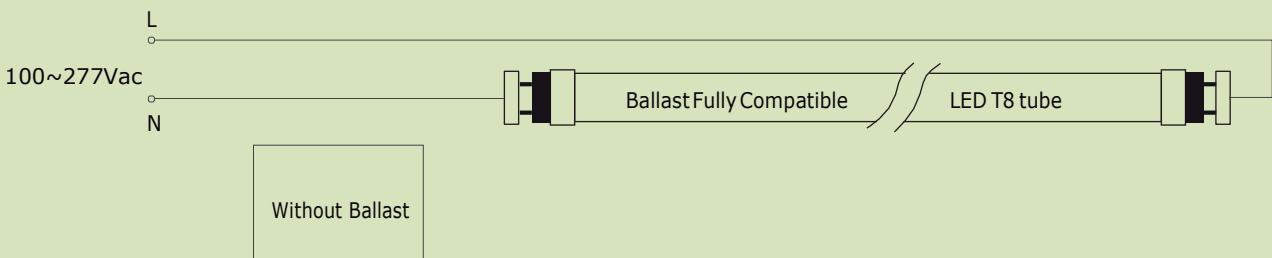
Scenario 1: Magnetic Ballast Circuit



Scenario 2: Electronics Ballast Circuit



Scenario 3: By pass existing ballast in the circuit



Be Off The Grid com Inc.

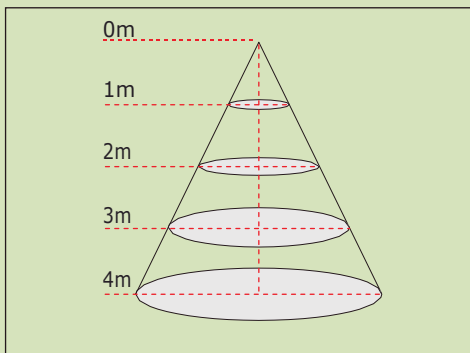
Compatible LED Tubes

Commercial LED lighting supplier

Features

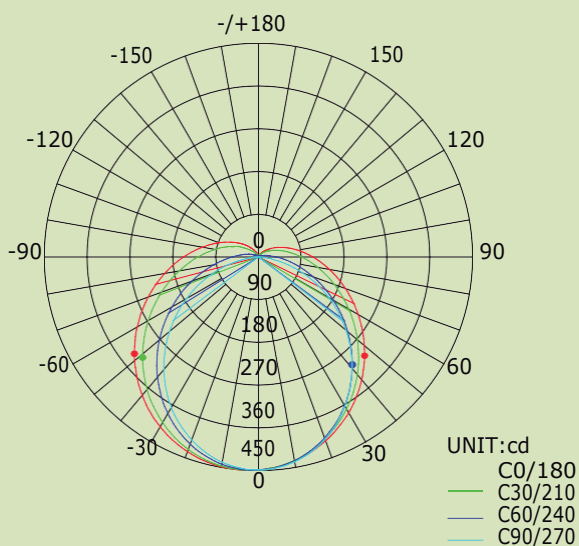
- ⊙ LED type: 114 pcs SMD2835
- ⊙ Luminous Efficacy : 110~120lm/W
- ⊙ Power: 18W(rated), 18W +/- 1.5W (actual)
- ⊙ Power Factor: >0.95
- ⊙ THD: <20
- ⊙ Lens Option: Frosted, Clear
- ⊙ Color Temperature: 3000K 4000K 5000K
- ⊙ CRI: Ra>80
- ⊙ Connectors: G13
- ⊙ Beam Angle: 150 degree
- ⊙ Net Weight: 0.7kg/ pc
- ⊙ Instant on, no flicker or buzz
- ⊙ Directly replace florescent 4ft T8-plug and play, no rewiring
- ⊙ Fully compatible with most of magnetic ballast or electronics ballast
- ⊙ Fully functional by-passing existing ballast in the circuit
- ⊙ Warranty: **5 years**
- ⊙ Certificate: **UL/cUL, DLC**

Lux Chart



Model#	Height	Average Lux (lx)	Light range (dia.)
HDS- BL-T8-18W1200 BQET+	1M	450	273cm
HDS-BL-T8-18W1200 BQET+	2M	112	546cm
HDS-BL-T8-18W1200 BQET+	3M	50	819cm
HDS-BL-T8-18W1200 BQET+	4M	28	1092cm

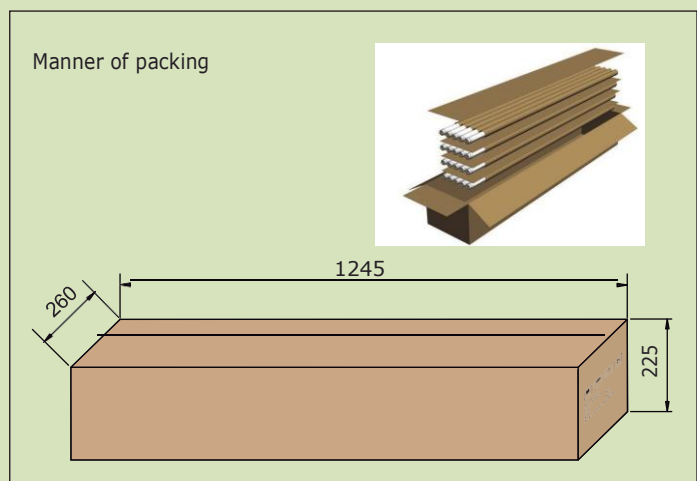
Photometrics



HDS-BL-T8-18W1200 BQET+
 AVERAGE BEAM ANGLE (50%):121.1 DEG

Packaging

Dimesionn	Carton size	G.W/Carton	Quantity
4ft	1245x260x225mm	22.0KG	35pcs



Notice: This product is compatible with over 90% ballast on the market, HDS highly recommends buyers to test the compatibility on site before ordering by large volume.

www.beoffthegrid.com

info@beoffthegrid.com

1-908-507-5809



LM79
LM80

