

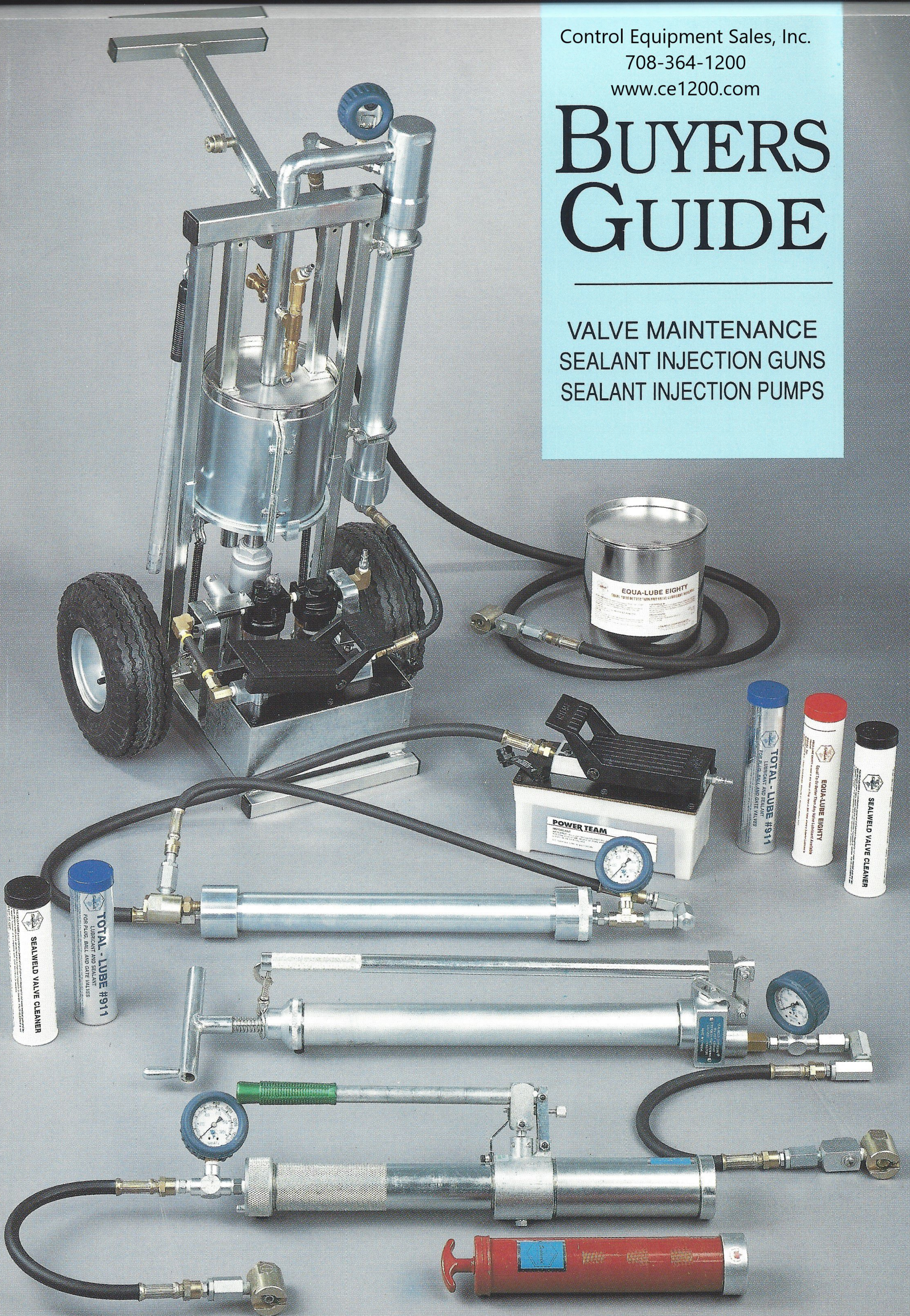
Control Equipment Sales, Inc.

708-364-1200

www.ce1200.com

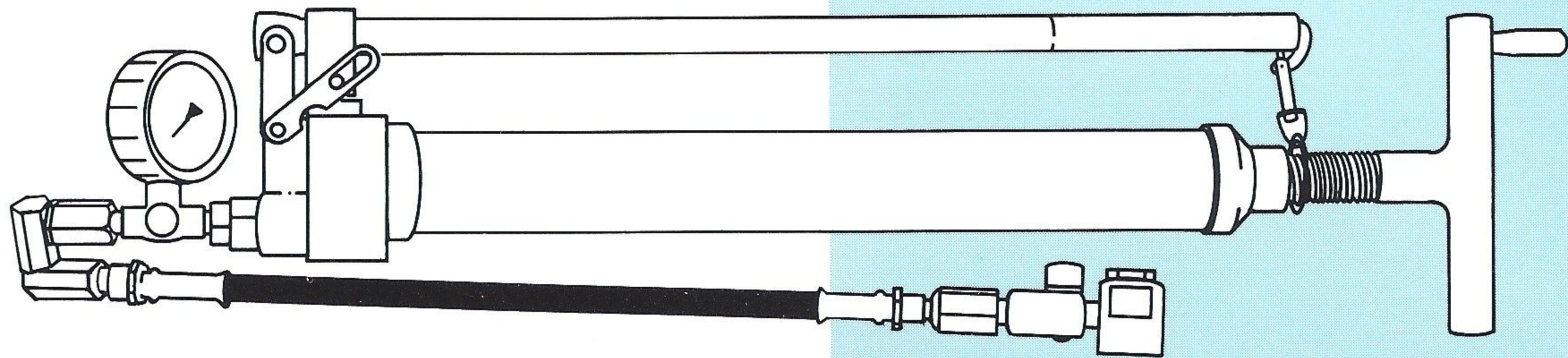
BUYERS GUIDE

VALVE MAINTENANCE
SEALANT INJECTION GUNS
SEALANT INJECTION PUMPS



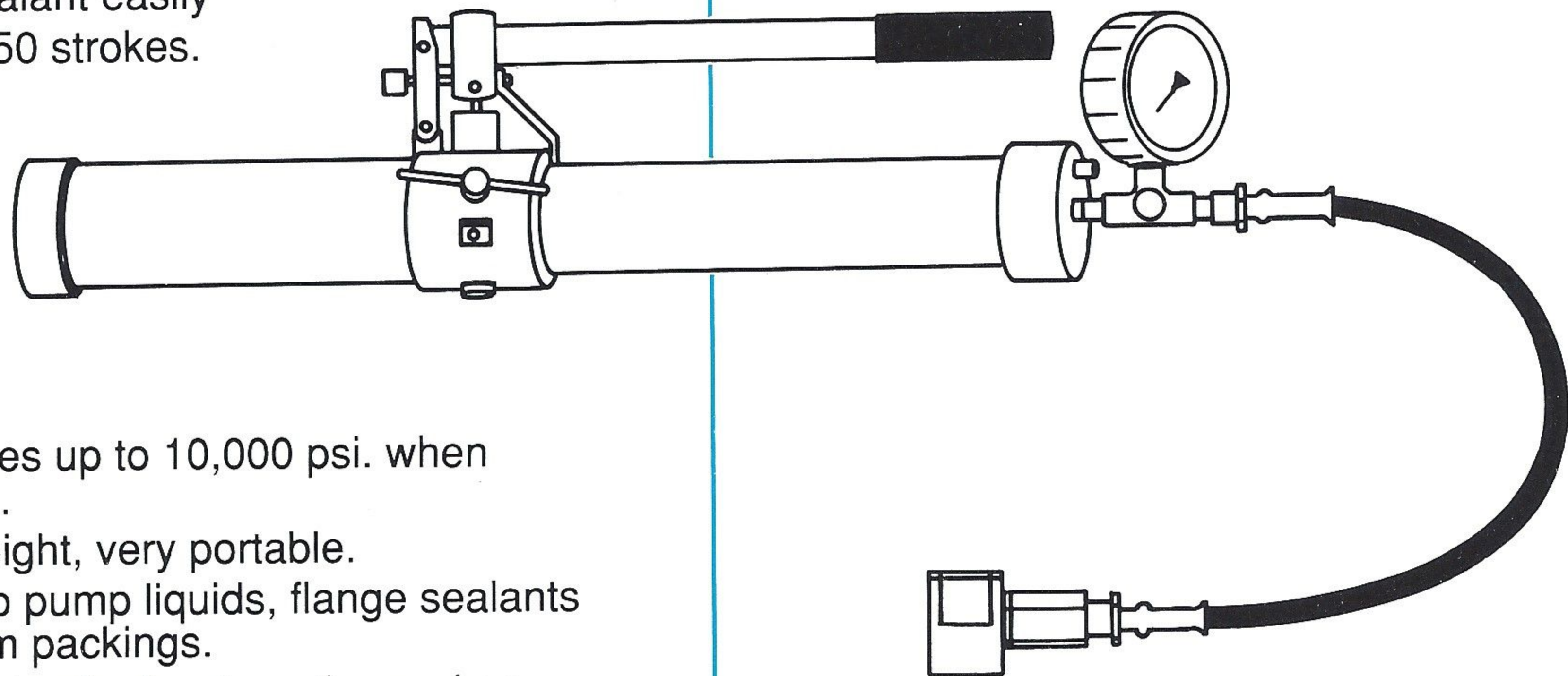
■ SUPERGUN®

The patented **Sealweld SuperGun®** is designed for many years of rugged use. The cleaner or lubricant/sealant is pushed into the head via the screw crank. The extra long handle generates up to 15,000 psi easily with continued stroking. The screw crank position indicates how much product remains in the barrel. Discharges 1 oz. of product with each 20 strokes.



- Generates up to 15,000 psi. when required.
- Field replaceable piston head cartridge
- Locking, handle clasp, quick turn screw prime T-handle.
- Large capacity barrel holds 33% more than other similar guns.
- Reloads easily with a 12 oz. or 16 oz. cartridge from EZ-LOADER.
- Can be loaded with "K" sticks, Gun-Paks or bulk lubricant/sealant.
- High pressure check valve system prevents dangerous "kicks".
- Extra long lever/handle makes high pressure injection easy.

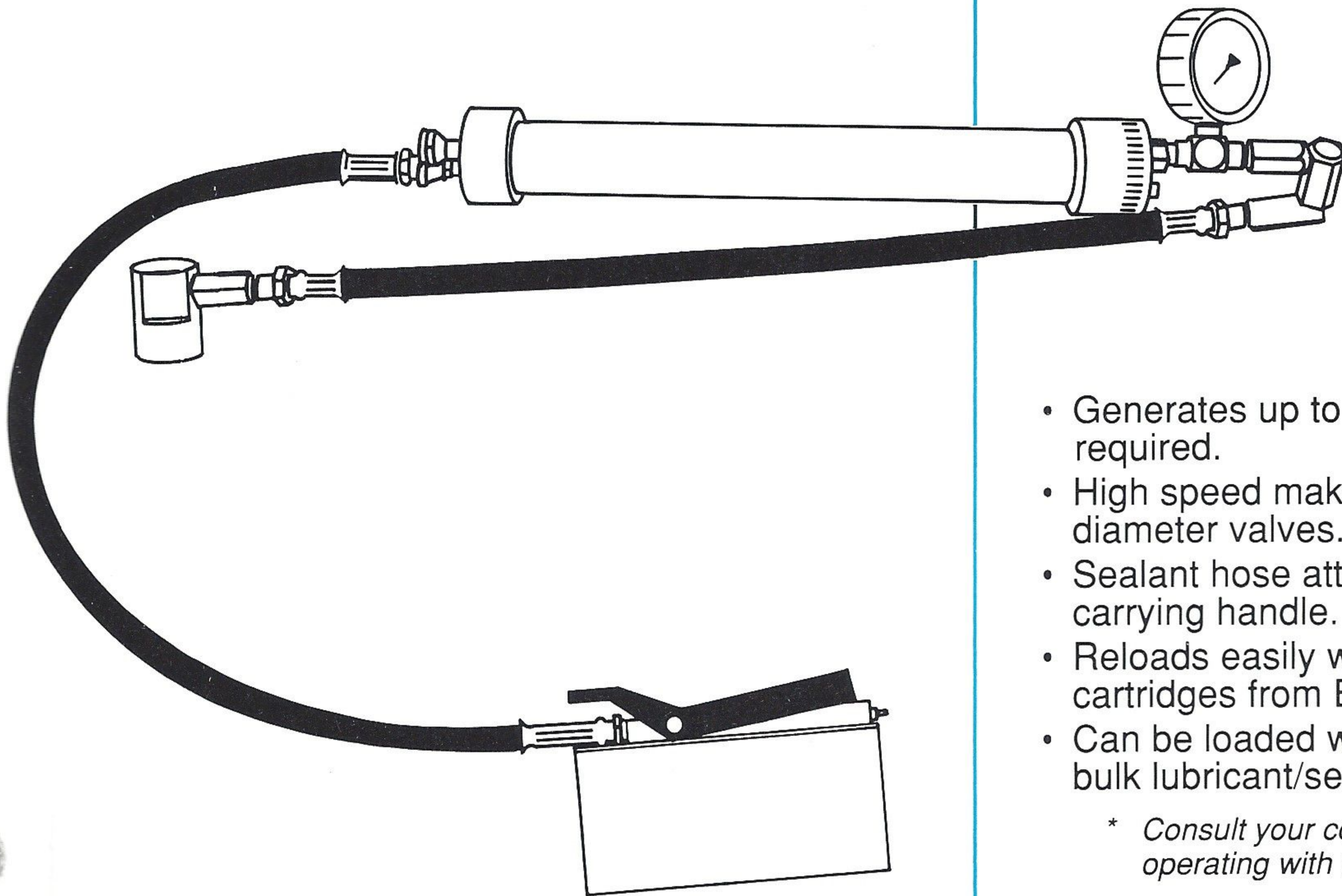
The **Sealweld Hydraulic Hand Gun** features a unique locking handle to prevent pump piston damage. Hydraulic pressure is generated by stroking the handle. The cleaner or lubricant/sealant is discharged at up to 10,000 psi. Discharges 1 oz. of sealant easily with each 50 strokes.



- Generates up to 10,000 psi. when required.
- Light weight, very portable.
- Can also pump liquids, flange sealants and stem packings.
- Self priming hydraulic action makes manual injection simple.
- Reloads easily with a 12 oz. cartridge from EZ-LOADER.
- Pumps "J" sticks, Gun-Paks and all types of sealants.

■ HYDRAULIC HAND GUN

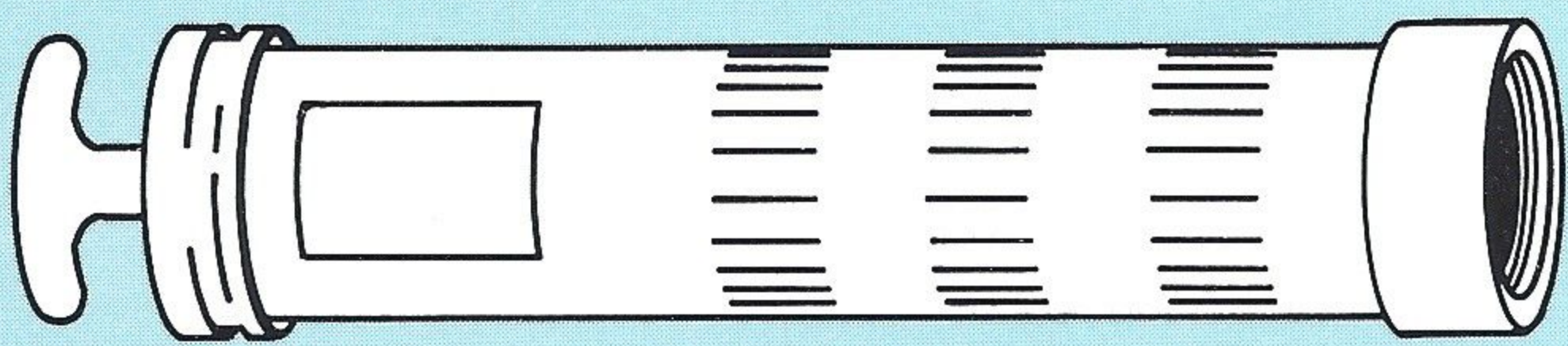
■ UNI-SEAL



The **Sealweld Uni-Seal** is designed as a light weight, portable high speed sealant injection pump. The hydraulic motor can be powered by compressed air, bottled air or natural gas*. Hydraulic pressure up to 10,000 psi is quickly generated by stepping on the foot pedal, making the Uni-Seal the fastest hand held gun on the market.

- Generates up to 10,000 psi when required.
- High speed makes this gun ideal for large diameter valves.
- Sealant hose attaches to make handy carrying handle.
- Reloads easily with 12 oz. or 16 oz. cartridges from EZ-LOADER.
- Can be loaded with "J" sticks, Gun-Paks or bulk lubricant/sealants.

* Consult your company's policy before operating with natural gas.



■ EZ-LOADER

The **Sealweld EZ-Loader** was designed to make loading cartridges quick and easy. Just pull back the tee handle, insert a 12 oz. or 16 oz. cartridge, screw on the adapter and transfer the lubricant/sealant into the high pressure gun barrel. No waste, no mess & easy to store. The use of cartridge type lubricant/sealants has been found to greatly reduce the risk of product contamination and trapped air in your gun or pump.

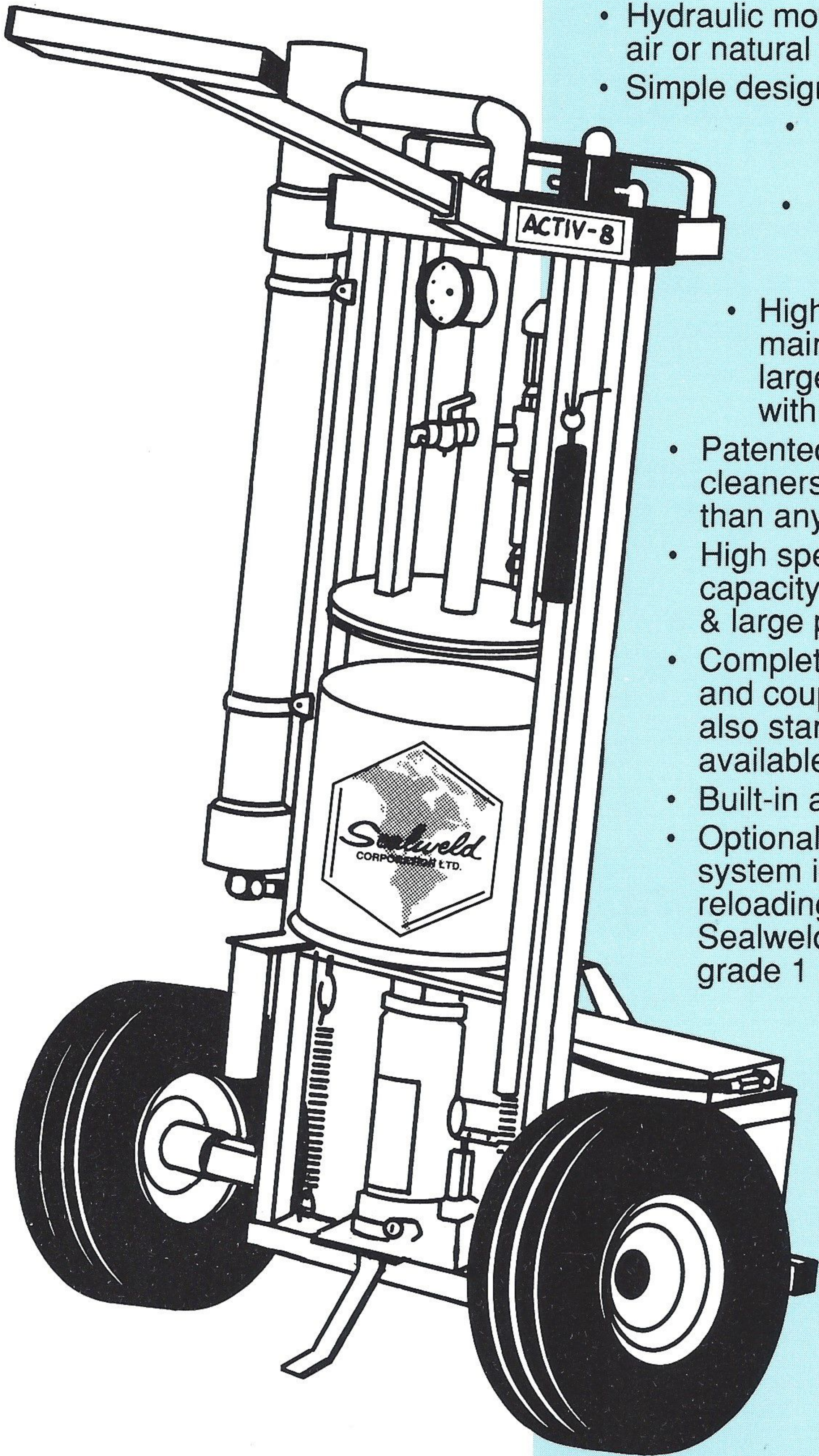
Sealweld guns and pumps are designed to pump all types of valve cleaners, lubricant/sealants and emergency valve sealants.

The use of a gauge can assist you in determining what is happening inside the valve during injection.

Always keep your gun or pump loaded and in top working order in case of an emergency.

ACTIV-8™

ACTIV-8™ Sealant Injection Pump



- Generates up to 10,000 psi injection pressure when required.
- Controls the quantity of lubricant/sealant being injected; prevents over lubrication.
- Rugged steel frame & pneumatic tires make this pump ideal for field and plant work.
- Hydraulic motor is powered by compressed air, bottled air or natural gas (consult your company policy first).
- Simple design makes field repairs quick and easy.
 - Delivers lubricant/sealant at up to 1 pound every 70 seconds.
 - Easy reloading system allows you to change from cleaner to lubricant/sealant with no waste of product.
- High speed action cuts valve maintenance time by up to 75% on large diameter valves and at facilities with many valves to service.
- Patented Activ-8™ delivers valve cleaners, lubricants & sealants faster than any other gun on two wheels.
- High speed action and 10 pound (5 quart) capacity makes this pump ideal for pipelines & large plants.
- Complete with 10 ft. sealant hose, swivels and coupler. 15,000 psi gauge & guard is also standard equipment. Longer hoses are available on request.
- Built-in air filter/lubricator system.
- Optional air ram loading system is also available for fast reloading of light greases such as Sealweld Valve Cleaner or other NLGI grade 1 & 2 greases.
- Rental units available for short or long term contracts.
- Each gun comes complete with an owners manual and an 8 minute video tape describing safe operating procedures.

ACTIV-8™

SEALANT INJECTION PUMP

Valve Maintenance Guidelines

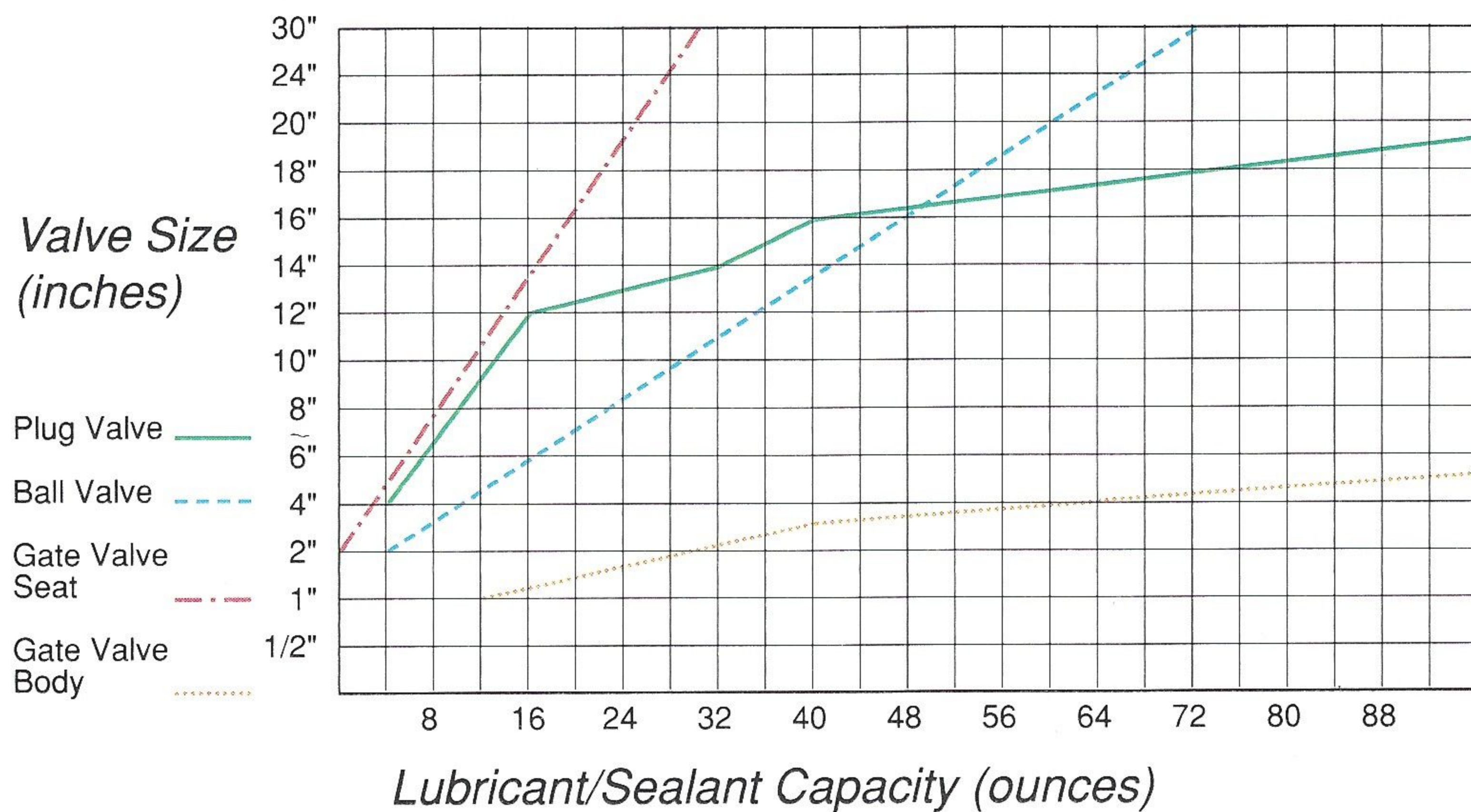
Topping Off. Routine maintenance often consists of topping off the lubricant/sealant in the valves' sealant system. The sealant system is a network of grooves and channels inside the valve leading to seal points around the ball, gate or plug. Quantities required to top off can vary greatly depending on the valve design, cycle frequency and service conditions. Learn how to properly read a high pressure sealant injection gauge (mounted on the gun or pump) to help determine when the sealant reaches the seal points.

Valve Cleaning. Valves which hang up, are hard to turn or do not seal properly usually require cleaning. Inject sufficient quantities of cleaner to displace all of the lubricant/sealant in the

valves sealant system (see chart below for quantities). Leave the valve cleaner in the valve for at least 30-40 minutes and cycle the valve if possible to ensure complete coverage. Always displace the valve cleaner with equal quantities of lubricant/sealant after cleaning.

Emergency Sealants. The introduction of heavy sealants provides the ability to achieve a temporary seal even if seal damage has occurred. Always displace an extra heavy sealant after use with a lighter lubricant/sealant. Valves which constantly require an extra heavy sealant may require adjustment, repair or replacement.

Injection Techniques. The best results are achieved by injecting while the valve is in the fully open or fully closed position. When attempting to seal a valve, if leakage persists, check the valve stops to ensure the valve is fully closed. Always consult the valve manufacturers' service manual before attempting any service procedure.



Ball Valves
Inject approx. one ounce of lubricant/sealant per inch of valve size into each seat ring.

Gate Valves
Gate valve with seat sealant systems require approx. 0.5 ounces of lubricant/sealant per inch of valve size into each seat ring. To fill the body cavity inject approx. one pound per inch of valve size.

Plug Valves
4" & smaller: 1 oz/inch size.
6" to 14": 1.5 oz./inch size.
14" to 18": 2.5 oz/inch size.
18" & larger: 3.5 oz./inch
Plug valve capacities can vary greatly, consult the Sealweld plug valve capacity chart for specific quantities.

Riser Pipe Quantities For Buried Valves	1/4" I.D. riser pipe requires 0.5 ounces per foot.
	3/8" I.D. Riser pipe requires 1.3 ounces per foot.
	1/2" I.D. riser pipe requires 2.0 ounces per foot.
	3/4" I.D. riser pipe requires 4.0 ounces per foot.
Sealant Hoses	Sealant hose contains 0.4 ounces per foot.

SEALWELD CORPORATION has designed and manufactured a wide variety of high pressure sealant injection equipment in order to make valve maintenance safe and easy.

We have a complete line of valve cleaners, valve lubricants, lubricant/sealants and emergency sealants for every type of service condition. We can also custom blend specialty products for unique applications.

Our patented sealant fittings and special adapters were invented to help stop fittings from plugging and to keep fittings from leaking.

Sealweld can repair all makes of high pressure sealant injection guns and pumps. We carry a full compliment of parts and can offer instructions for doing your own repairs. Our Gun Technicians can do repairs and gun repair training at your field location.

Our Service Division can provide contract valve maintenance, valve seat leakage testing, free siezed valves and perform emergency sealing. We can provide maintenance training in the form of video tape, on-site classroom training seminars and hands-on tutoring.

Control Equipment Sales, Inc.

Phone: 708-364-1200

www.ce1200.com



SEALANT INJECTION GUN CAPACITIES

Gun Type (style)	Maximum Discharge	Capacity	Quantity stroke	Quantity Minimum
Sealweld Activ-8 (air)	10,000 psi	10#/5qt	n/a	16 oz./2 min.
HyperGun (air)	15,000 psi	10#/5qt	n/a	16 oz./16 min.
Sealweld Uni-Seal(air)	10,000 psi	1 lb	n/a	16 oz./2 min.
Sealweld SuperGun (man)	15,000 psi	1 lb	1 oz./20	n/a
6268 or 400A (man)	15,000 psi	12 oz.	1 oz./25	n/a
Hydraulic Hand Gun (man)	10,000 psi	12 oz.	1 oz./50	n/a

Legend: air = pneumatic powered, man. = manual operation, "#" = pounds, "oz." = ounces, sec. = seconds.