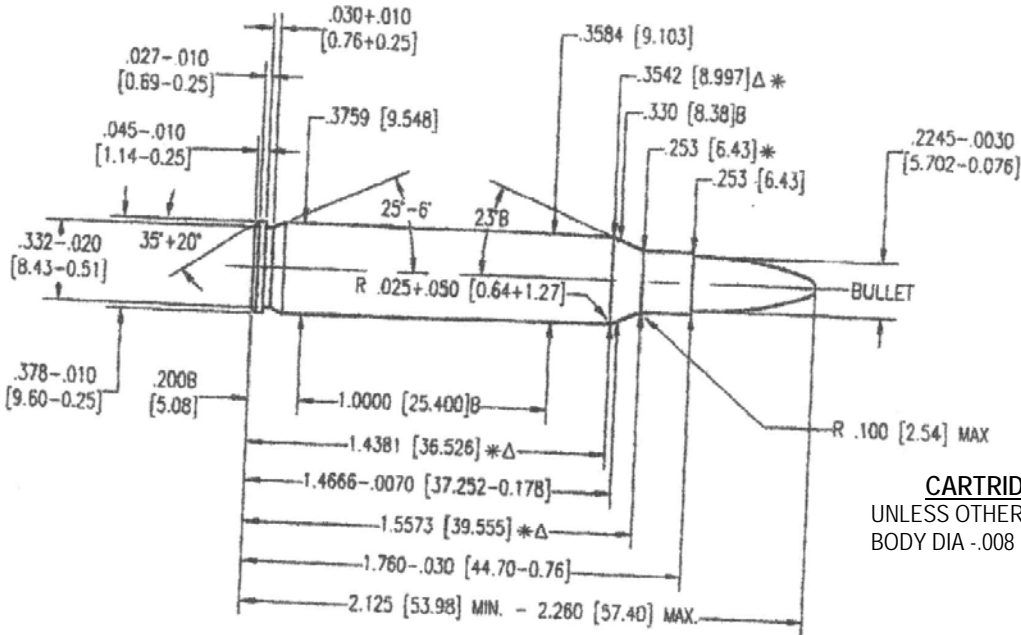


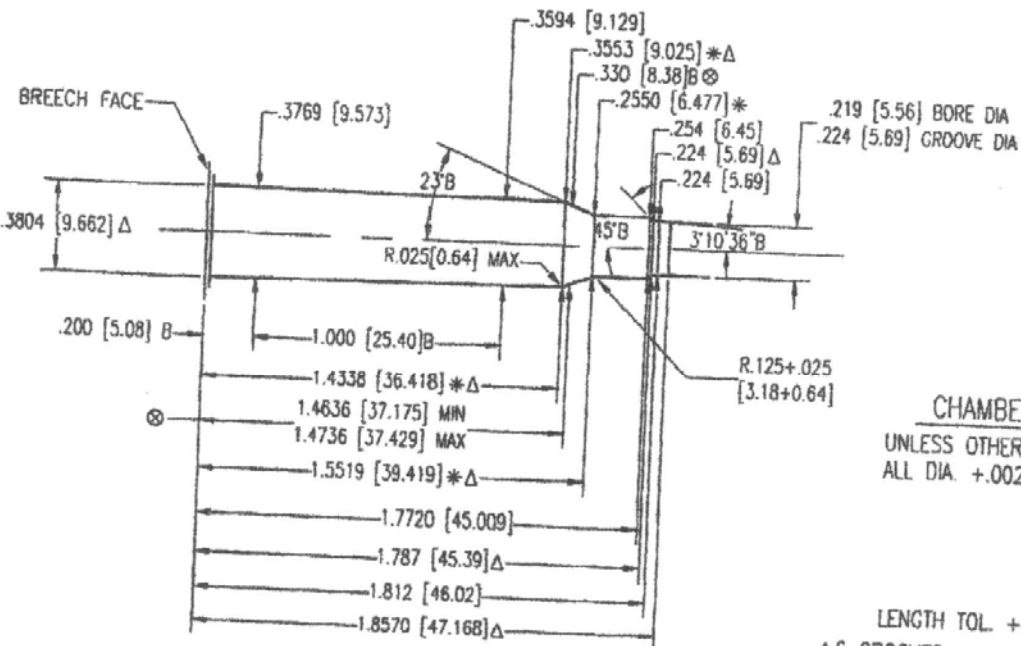
Click [HERE](#) to return to the Table of Contents

MAXIMUM CARTRIDGE / MINIMUM CHAMBER

223 REMINGTON



CARTRIDGE
UNLESS OTHERWISE NOTED
BODY DIA -.008 (0.20)



CHAMBER
UNLESS OTHERWISE NOTED
ALL DIA. +.002 [0.05]

LENGTH TOL. +.015 [0.38]
Δ 6 GROOVES
Δ .074+.002 [1.88+0.05] WIDE
TWIST: 12 [304.8] R.H. OPTIONAL
MIN. BORE & GROOVE
AREA: .0388 SQ. IN. [25.032 mm²]

NOTE:
B=BASIC
[XX.XX]=MILLIMETERS
⊗ = HEADSPACE DIMENSION
Δ = REFERENCE DIMENSION
* DIMENSIONS ARE TO INTERSECTION OF LINES
ALL CALCULATIONS APPLY AT MAXIMUM MATERIAL CONDITION (MMC)