

Click [HERE](#) to return to the Table of Contents

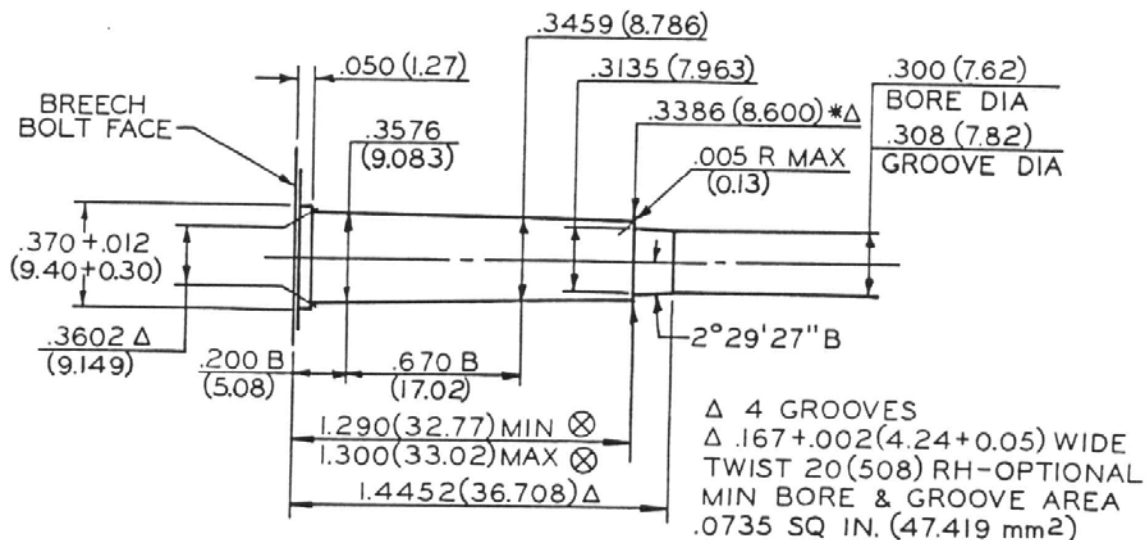
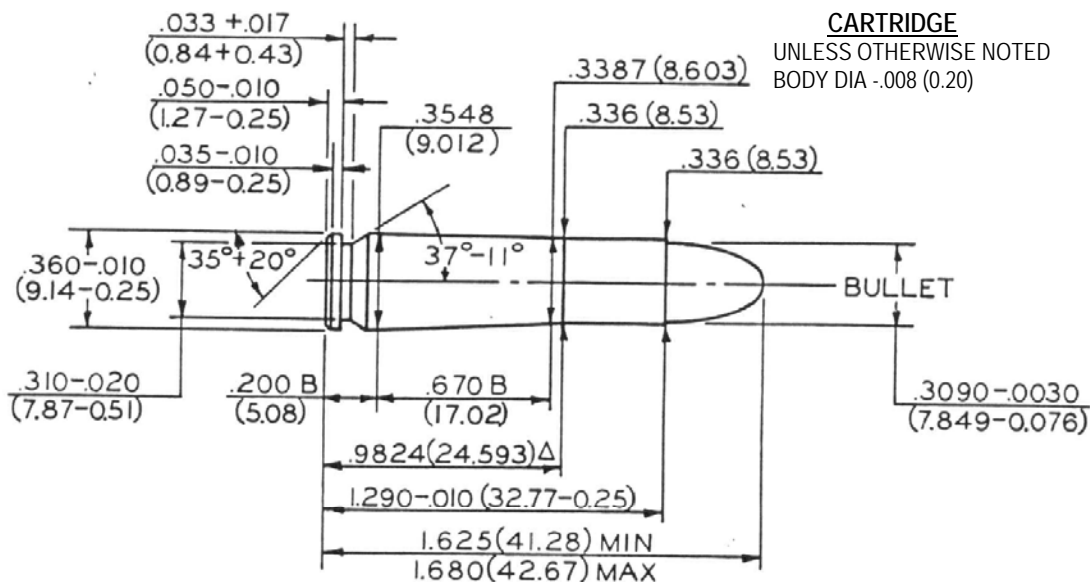
S A A M I

SPORTING ARMS AND AMMUNITION MANUFACTURERS' INSTITUTE, INC.

Since 1926

MAXIMUM CARTRIDGE / MINIMUM CHAMBER

30 CARBINE



NOTE

B = BASIC

(XX.XX) = MILLIMETERS

⊗ = HEADSPACE DIMENSION

Δ = REFERENCE DIMENSION

* DIMENSIONS ARE TO INTERSECTION OF LINES

ALL CALCULATIONS APPLY AT MAXIMUM MATERIAL CONDITION (MMC)