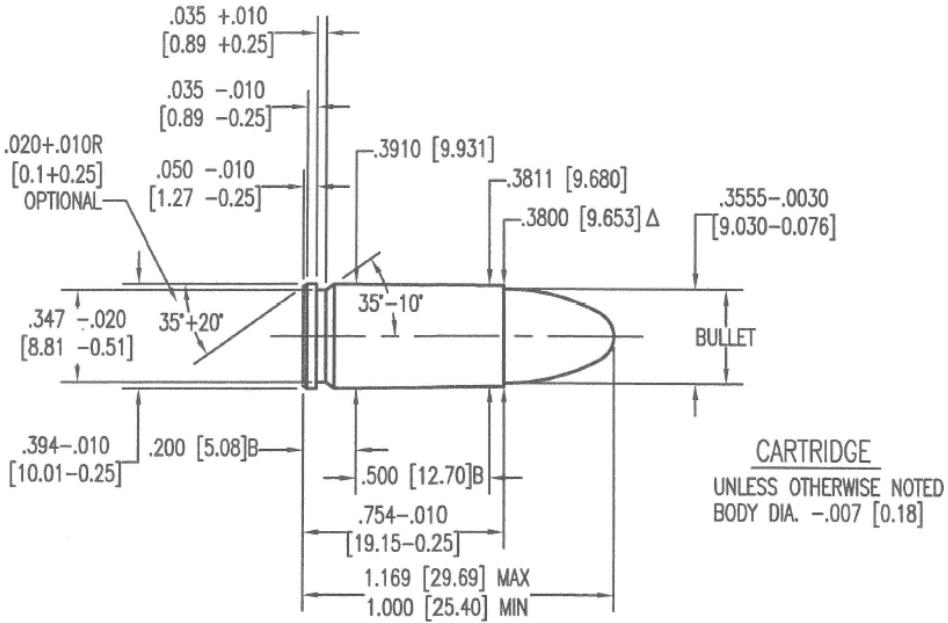


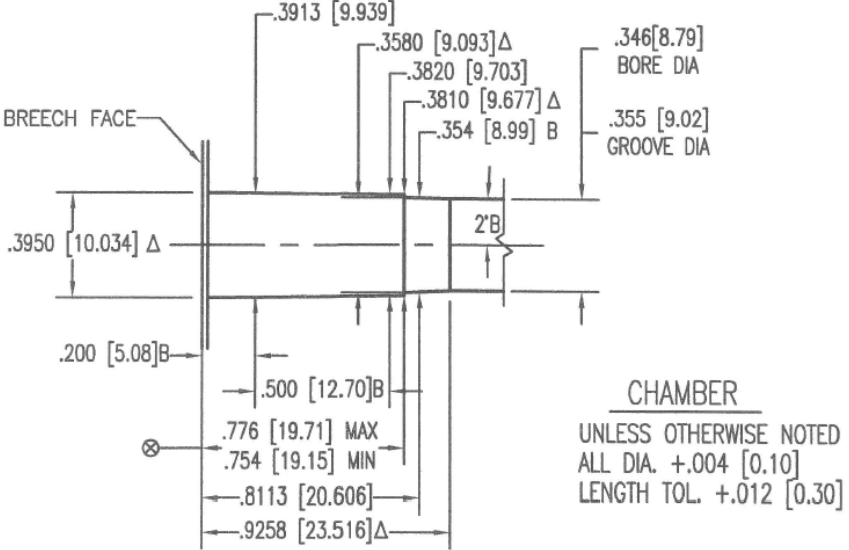
[Click HERE to return to the Table of Contents](#)

MAXIMUM CARTRIDGE / MINIMUM CHAMBER

9MM LUGER / 9MM LUGER +P



CARTRIDGE
UNLESS OTHERWISE NOTED
BODY DIA. -.007 [0.18]



CHAMBER
UNLESS OTHERWISE NOTED
ALL DIA. +.004 [0.10]
LENGTH TOL. +.012 [0.30]

MIN. BORE & GROOVE
AREA: .0967 SQ. IN.
[62.387 mm²]

OPTIONAL:
Δ 6 GROOVES
Δ .100+.002 [2.54+0.05] WIDE
TWIST: 10 [254] R.H.

NOTE:
B=BASIC
[XX.XX]=MILLIMETERS
⊗ = HEADSPACE DIMENSION
Δ = REFERENCE DIMENSION
*DIMENSIONS ARE TO INTERSECTION OF LINES
ALL CALCULATIONS APPLY AT MAXIMUM
MATERIAL CONDITION (MMC)