

Swage It S550 Instructions for the Dillon RL550B

Step 1. REMOVE ALL PRIMERS

Step 2. Remove the spent primer cup.

Step 3. Remove the automatic primer system by removing the screws underneath the priming system and set the screws aside.

Step 4. Remove the primer track bearing.

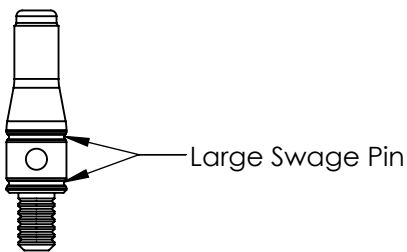
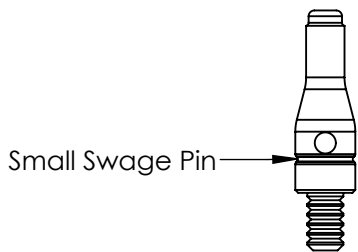
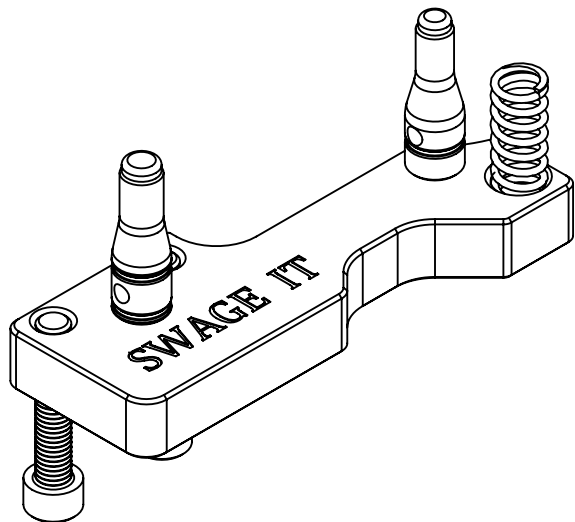
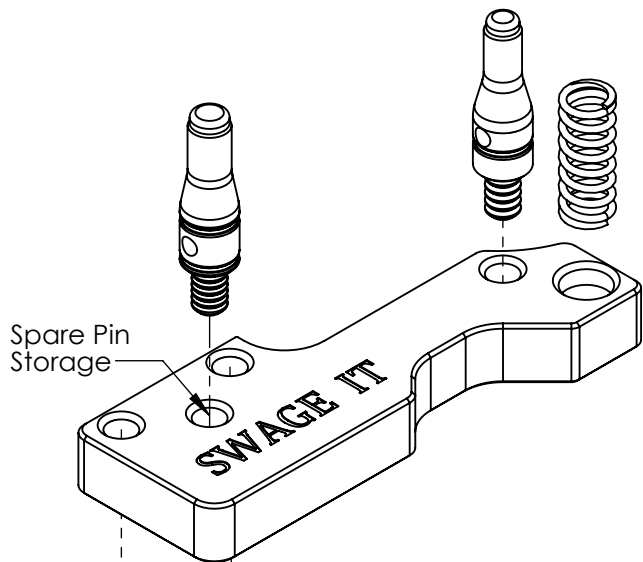
Step 5. Disconnect the spring from the primer slide return spring post.

Step 6. Tighten the swaging pin onto the mount. Be sure that it is snug.

Step 7. Install the Swage it S550 to the press using the included screws and lightly tighten.

Step 8. Place a de-capped brass in the first station. Push the handle forward until the swaging pin is aligned with the brass and tighten the screws.

Step 9. Re-install spent primer cup.



- While swaging the brass gently push forward on the press handle to fully seat the swage pin into the brass.
- Do Not use excessive force as this may damage the brass case.

