

LARGE TRAY (13" X 9" X 2" SERVE 15-30 PEOPLE)

SMALL TRAY (1/2 SIDE 10 3/8 SERVE 15-10 PEOPLE)



à la carte

MEATS

LARGE & SMALL ALUMINUM TRAYS

ITEMS	LARGE	SMALL
JERK CHICKEN	\$175.00	\$95.00
BBQ CHICKEN	\$175.00	\$95.00
FRIED CHICKEN	\$175.00	\$95.00
CURRIED CHICKEN	\$175.00	\$95.00
STEW CHICKEN	\$175.00	\$95.00
BAKED CHICKEN	\$175.00	\$95.00
BBQ JERK CHICKEN	\$175.00	\$95.00
STUFFED CHICKEN BREAST (CHEESE & SPINACH)	\$195.00	\$105.00
SWEET & SOUR CHICKEN	\$175.00	\$95.00
OXTAIL	\$465.00	\$295.00
CURRY GOAT	\$355.00	\$245.00
VEAL PICCATA	\$455.00	\$385.00
ROAST BEEF	\$455.00	\$385.00
JERK PORK	\$285.00	\$190.00

LARGE TRAY (13" X 9" X 2" SERVE 15-30 PEOPLE)



à la carte

SMALL TRAY (1/2 SIDE 10 3/8 SERVE 15-10 PEOPLE)

APPETIZERS

LARGE & SMALL ALUMINUM TRAYS

ITEMS	LARGE	SMALL
SHRIMP SKEWERS	\$285.00	\$195.00
	4 DOZEN	2 DOZEN
VEGETABLE SPRING ROLLS	\$75.00	\$45.00
	4 DOZEN	2 DOZEN
CRAB CAKE	\$395.00	\$225.00
	4 DOZEN	2 DOZEN
CHICKEN WINGS (JERK, BBQ, HOT, CHILLI AND MORE)	\$225.00	\$135.00
	4 DOZEN	2 DOZEN
SALT FISH FRITTERS	\$195.00	\$105.00
	4 DOZEN	2 DOZEN
BEEF SKEWERS	\$255.00	\$145.00
	4 DOZEN	2 DOZEN
JERK CHICKEN BITES	\$165.00	\$95.00
	4 DOZEN	2 DOZEN
COCKTAIL PATTIES (BEEF OR CHICKEN)	\$135.00	\$85.00
	4 DOZEN	2 DOZEN
NACHO SUPREME (CHICKEN, BEEF OR VEGGIE)	\$185.00	\$95.00
ANTIPASTO SKEWERS	\$215.00	\$105.00
	4 DOZEN	2 DOZEN
BBQ MEAT BALLS	\$185.00	\$95.00
	4 DOZEN	2 DOZEN
SHRIMP FRITTERS	\$285.00	\$195.00
	4 DOZEN	2 DOZEN
BREADED SHRIMP	\$285.00	\$195.00
	4 DOZEN	2 DOZEN
HONEY GARLIC GLAZED SALMON	\$235.00	\$145.00

LARGE TRAY (13" X 9" X 2" SERVE 15-30 PEOPLE)

SMALL TRAY (1/2 SIDE 10 3/8 SERVE 15-10 PEOPLE)



à la carte

SALADS

LARGE & SMALL ALUMINUM TRAYS

ITEMS	LARGE	SMALL
SPRING BEET SALAD	\$115.00	\$95.00
Beets, Microgreen, Spring Mix & Goat Cheese		
GREEK SALAD	\$115.00	\$95.00
Cucumber, Tomato, Olives, Red Onion, & Feta Cheese		
GREEN SALAD	\$105.00	\$75.00
Romain Lettuce, Green Leaf Lettuce & Arugula		
GARDEN SALAD	\$105.00	\$75.00
Mix Lettuce, Cucumber, Tomato, & Sweet Peppers		
COLESLAW	\$95.00	\$65.00
Cabbage & Carrots		
CLASIC WEDGE SALAD	\$105.00	\$75.00
Iceberg Lettuce		
SPINACH SALAD	\$95.00	\$65.00
Spinach & Red Onions		
VEGETABLE SALAD	\$95.00	\$65.00
Caulifloweer, Carrots, Cucumber, Tomato, & Sweet Peppers		
CAESAR SALAD	\$95.00	\$65.00
Romain Lettuce, Cheese & Garlic Caesar Dressing		
PASTA SALAD	\$95.00	\$65.00
Pasta, Sweet Corn, Green Onion, Green Peas & Red Peppers		
AVOCADO SALAD	\$95.00	\$65.00
Avocado, Cucumber, Tomato, & Red Onions		
SUMMER SALAD	\$95.00	\$65.00
Five Beans, Sweet Corn, Green Peas & Red Onions		

à la carte

LARGE TRAY (13" X 9" X 2" SERVE 15-30 PEOPLE)

SMALL TRAY (1/2 SIDE 10 3/8 SERVE 15-10 PEOPLE)



RICES		
LARGE & SMALL ALUMINUM TRAYS		
ITEMS	LARGE	SMALL
RICE & PEAS	\$85.00	\$65.00
WHITE RICE	\$75.00	\$55.00
RICE PILAF	\$85.00	\$65.00
VEGETABLE RICE	\$85.00	\$65.00
SPANISH RICE	\$85.00	\$65.00
JOLLOF RICE	\$85.00	\$65.00
LIME CLIANTRO RICE	\$85.00	\$65.00
VEGETABLE FREID RICE	\$85.00	\$65.00
SHRIMP OR SEAFOOD FRIED RICE	\$145.00	\$105.00
CHICKEN FRIED RICE	\$115.00	\$85.00
SPINACH RICE	\$175.00	\$95.00
JAMAICAN SEASON RICE	\$85.00	\$65.00
MUSHROOM RICE	\$95.00	\$75.00

LARGE TRAY (13" X 9" X 2" SERVE 15-30 PEOPLE)

SMALL TRAY (1/2 SIDE 10 3/8 SERVE 15-10 PEOPLE)



à la carte

SEAFOODS

LARGE & SMALL ALUMINUM TRAYS

ITEMS	LARGE	SMALL
RED SNAPPER (STEAMED, BROWN STEW OR ESCOVITCH)	\$300.00	\$150.00
	12 FISH	6 FISH
KING FISH (STEAMED, BROWN STEW OR ESCOVITCH)	\$240.00	\$120.00
	12 FISH	6 FISH
SALMON (HONEY GARLIC, CREAMY DILL OR GARLIC BUTTER)	\$415.00	\$295.00
	4 OZ	4 OZ
PAN FRIED TILAPIA	\$240.00	\$120.00
	12 FISH	6 FISH
PAN FRIED BASA	\$240.00	\$120.00
	12 FISH	6 FISH
SEAFOOD MEDLEY	\$515.00	\$365.00
GARLIC SHRIMP	\$285.00	\$175.00
LOBSTER TAIL	MARKET PRICE	
SHRIMP KABOBS	\$285.00	\$175.00
SEAFOOD IN COCONUT SAUCE	\$485.00	\$295.00
SHRIMP LINGUINE	\$185.00	\$175.00
SHRIMP ALFREDO	\$285.00	\$175.00
SEAFOOD BOIL	\$515.00	\$365.00

à la carte

LARGE TRAY (13" X 9" X 2" SERVE 15-30 PEOPLE)

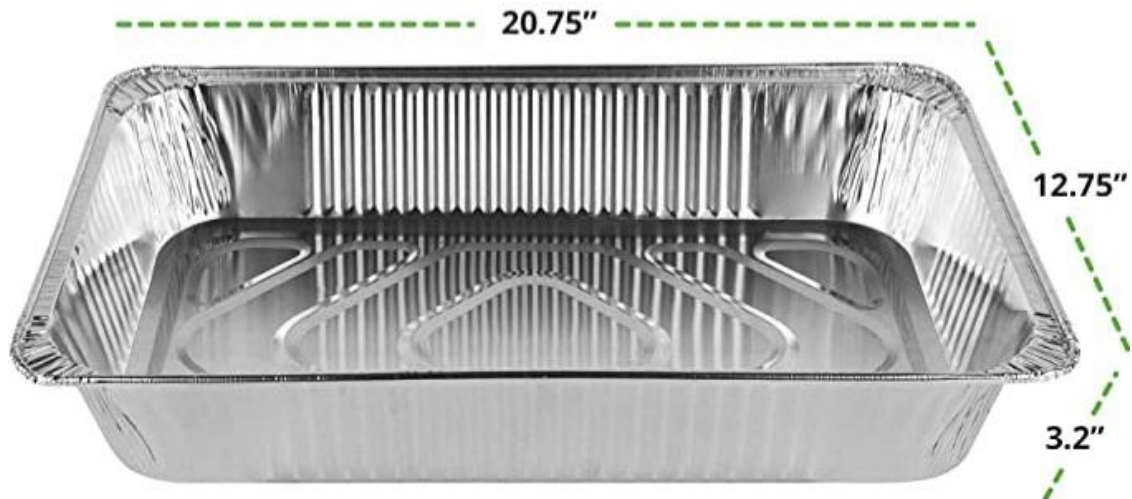
SMALL TRAY (1/2 SIDE 10 3/8 SERVE 15-10 PEOPLE)



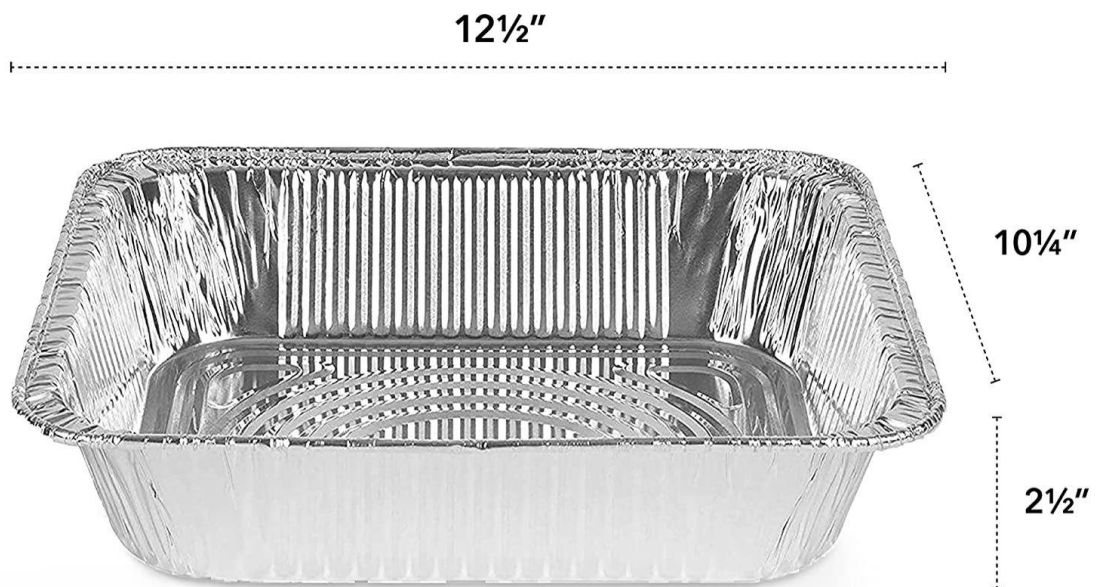
VEGETARIAN OPTIONS		
LARGE & SMALL ALUMINUM TRAYS		
ITEMS	LARGE	SMALL
VEGETABLE LASAGNA	\$265.00	\$195.00
Chickpea, Edamame, & Spinach		
MUSHROOM & SPINACH RAVIOLI	\$195.00	\$135.00
VEGGIE STIR FRY	\$155.00	\$95.00
VEGGIE CHUNCKS	\$95.00	\$65.00
CURRY CHICKPEA	\$95.00	\$65.00
RASTA PASTA	\$95.00	\$65.00
Pasta, Green Onion, Spinach & Mix Bell Peppers		
STUFFED MUSHROOMS	\$155.00	\$95.00
STUFFED PEPPERS	\$135.00	\$85.00
Chickpea, Edamame, & Spinach		
SEASME GARLIC RAMEN NOODLES	\$95.00	\$65.00
TOFU STIR FRY	\$135.00	\$85.00
VEGETABLE LINGUINE	\$95.00	\$65.00
PENNE WITH SPINACH SAUCE	\$135.00	\$85.00
VEGETABLE WRAPS	\$135.00	\$85.00

MINIMUM ORDER OF \$500 + HST & DELIVERY FEE

LARGE TRAY (13" X 9" X 2" SERVE 15-30 PEOPLE)



SMALL TRAY (1/2 SIDE 10 3/8 SERVE 15-10 PEOPLE)



Don't see what you are looking for? Send us an email with your request.