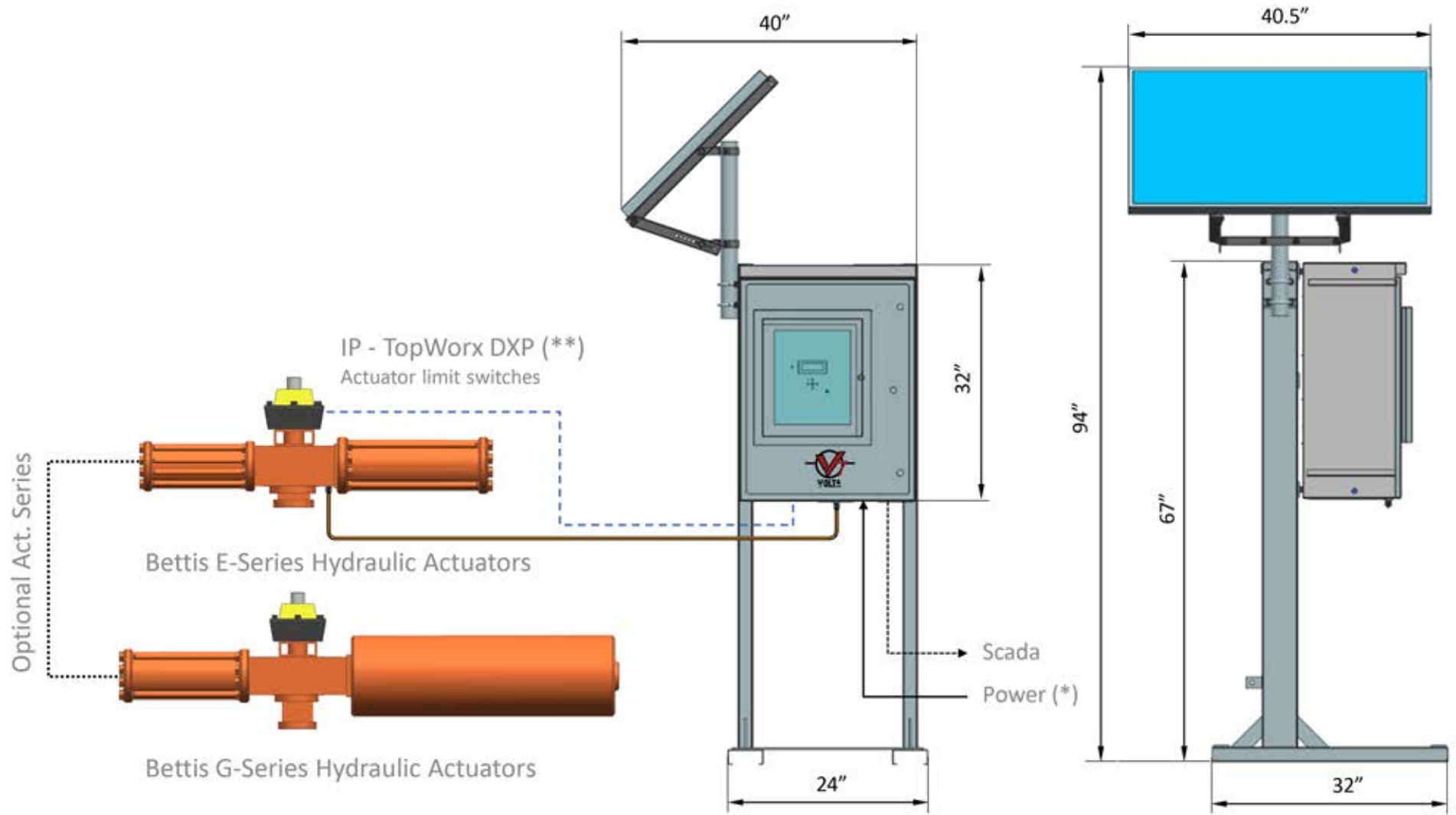


REVISIONS					
REV.	ZONE	DESCRIPTION	REVISED BY	APPROVED BY	DATE
-	-	-	-	-	-



Notes:  
 (\*) Optional power supply line  
 (\*\*) Standard DXP-L21GNEB (with switches SPDT) or optional DXP-0X1GNEB (with 4-20mA transmitter)  
 Optional pressure transducer or shut down signal (See on Datasheet)

- Hydraulic Lines
- Act. Limit switches signal
- Scada Communication
- Opt. Power line 24v/110v



Standard Displacement Actuator Control System

[www.voltaesd.com](http://www.voltaesd.com)