

MMA S.A. OWNERSHIP OF THIS DOCUMENT IS RESERVED. IT IS PROHIBITED TO REPRODUCE, MODIFY OR TRANSFER WITHOUT PRIOR WRITTEN AUTHORIZATION.



Client: -
 Project: - **Volta C1D2**
 Description Document: - **Structure and Arraingment Diagram**
 Document Number: -
 Revision: - **0**

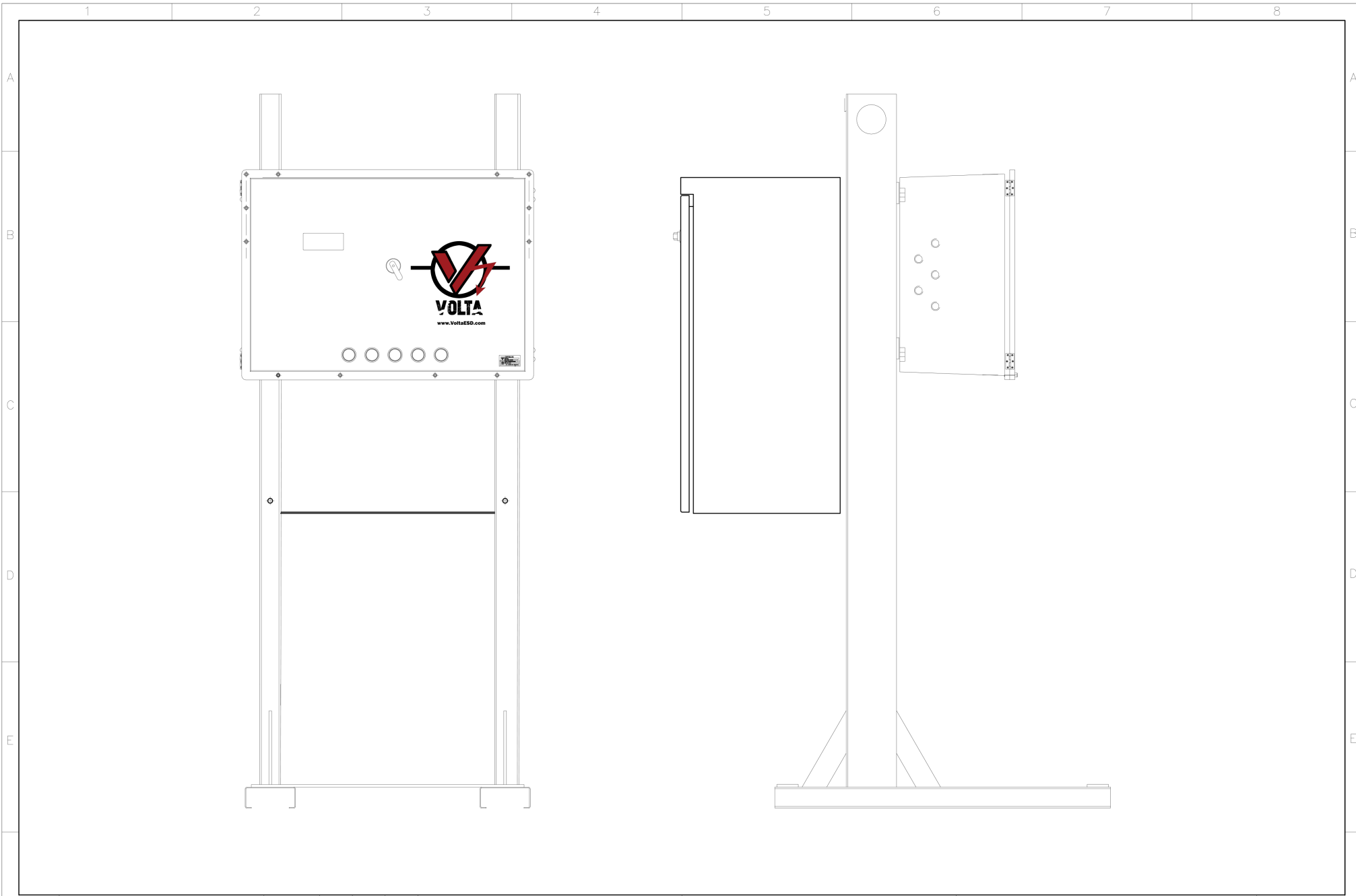
Installation Place -

-	-	-	-	-	-	PROJECT: Volta C1D2
-	-	-	-	-	-	
0	First Issue	09/02/24	NBG	NBG	MPV	
REV	DESCRIPCION	FECHA	PROY.	DIBUJÓ	APROB.	



N° DE DOC:	-	REV. GRAL:	0
Title:	Structure and Arrangement Volta C1D2 Construction Cover	HOJA:	00
		REVISIÓN:	0
		CONTINUA:	02

MVA S.A. OWNERSHIP OF THIS DOCUMENT IS RESERVED. IT IS PROHIBITED TO REPRODUCE, MODIFY OR TRANSFER WITHOUT PRIOR WRITTEN AUTHORIZATION.



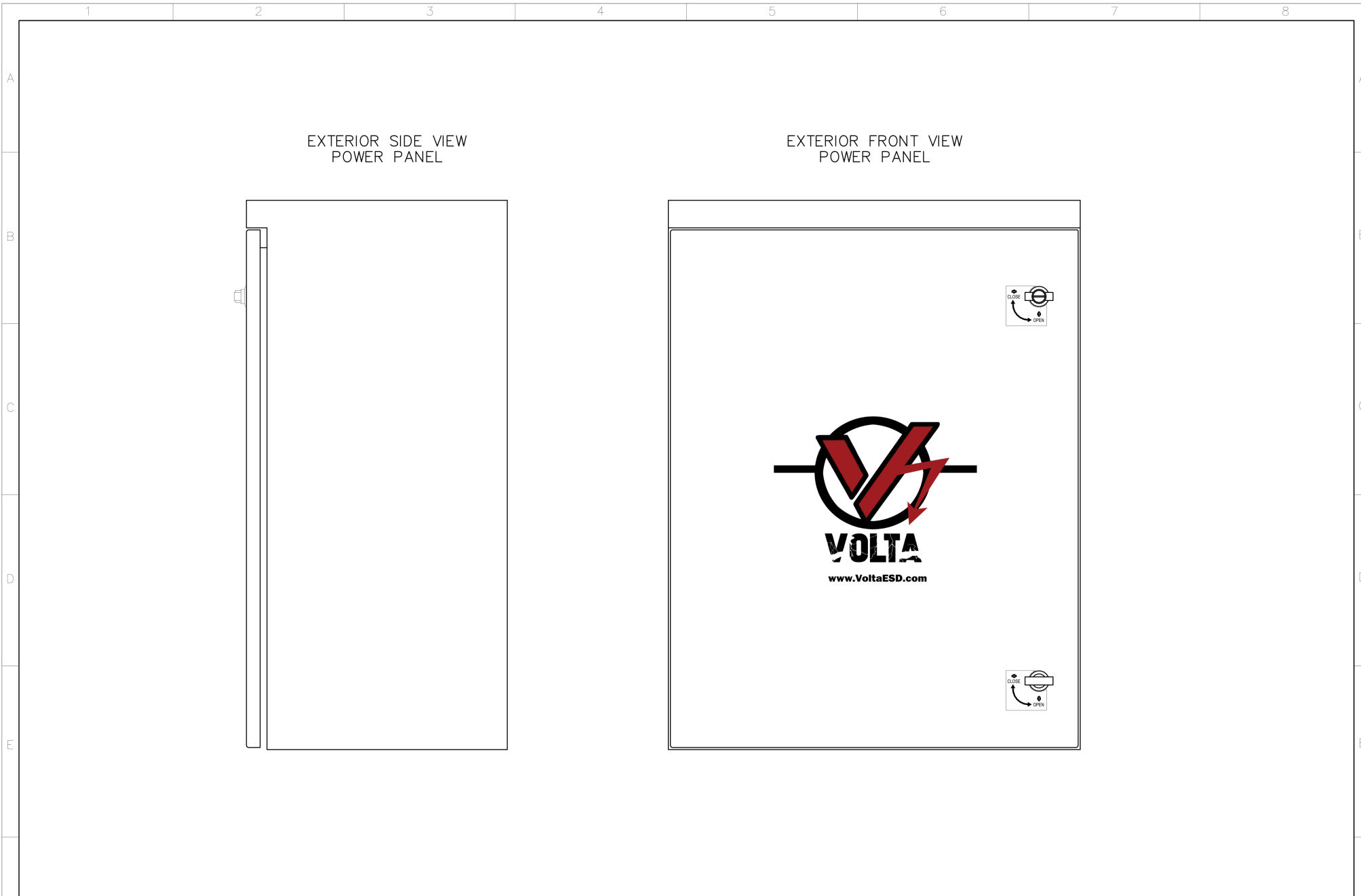
PROJECT: Volta C1D2



REV	DESCRIPCION	FECHA	PROY.	DIBUJO	APROB.
0	First Issue	09/02/24	NBC	NBC	MPV

N° DE DOC:	REV. GRAL:	0
Title: Structure and Arrangement Volta C1D2 Layout	HOJA:	02
	REVISIÓN:	0
	CONTINUA:	03

MVA S.A. OWNERSHIP OF THIS DOCUMENT IS RESERVED. IT IS PROHIBITED TO REPRODUCE, MODIFY OR TRANSFER WITHOUT PRIOR WRITTEN AUTHORIZATION.



EXTERIOR SIDE VIEW
POWER PANEL

EXTERIOR FRONT VIEW
POWER PANEL

PROJECT: Volta C1D2

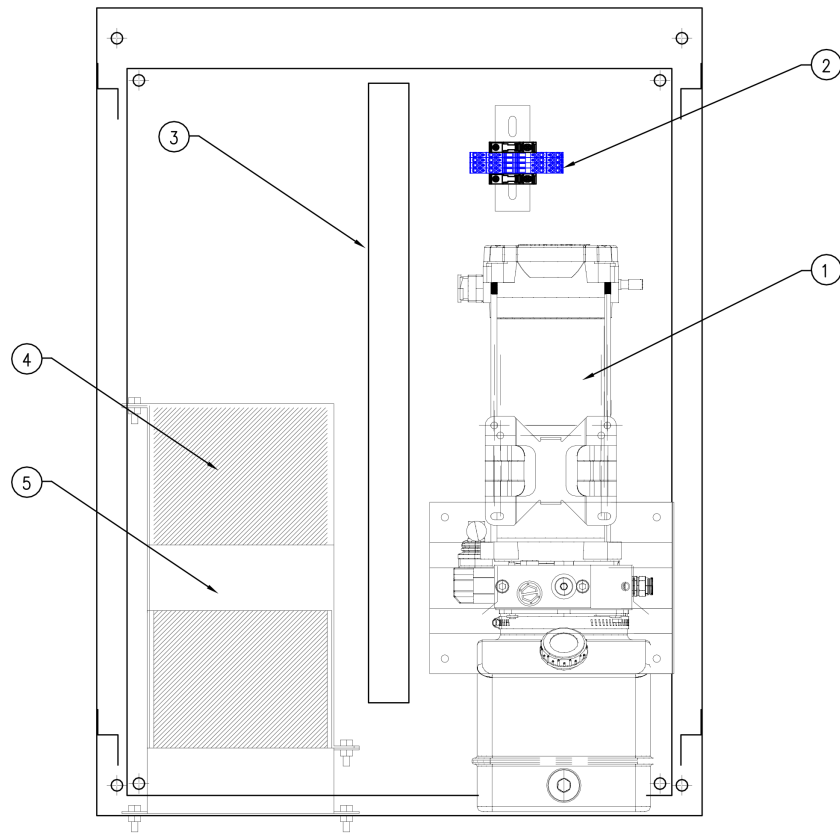


REV	DESCRIPCION	FECHA	PROY.	DIBUJO	APROB.
0	First Issue	09/02/24	NBC	NBC	MPV

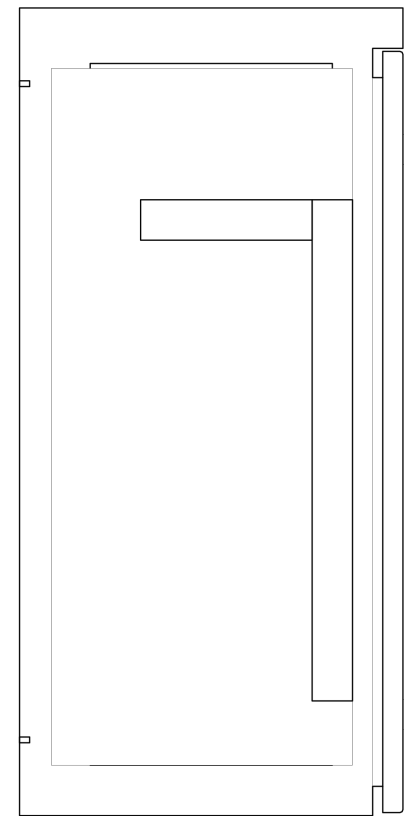
N° DE DOC:	REV. GRAL:	0
Title: Structure and Arrangement Volta C1D2 External View Power Panel	HOJA:	03
	REVISION:	0
CONTINUA:		04

MVA S.A. OWNERSHIP OF THIS DOCUMENT IS RESERVED. IT IS PROHIBITED TO REPRODUCE, MODIFY OR TRANSFER WITHOUT PRIOR WRITTEN AUTHORIZATION.

INTERIOR BOTTOM VIEW
POWER PANEL



INTERIOR SIDE VIEW
POWER PANEL



REF.	DESCRIPTION	QTY.
1	EXPLOSION-PROOF MOTOR	1
2	TERMINAL BLOCKS	4
3	WIRING DUCT	3
4	BATTERY	2
5	BATTERY BRACKET	1

PROJECT: Volta C1D2



REV	DESCRIPCION	FECHA	PROY.	DIBUJO	APROB.
0	First Issue	09/02/24	NBC	NBC	MPV

N° DE DOC:

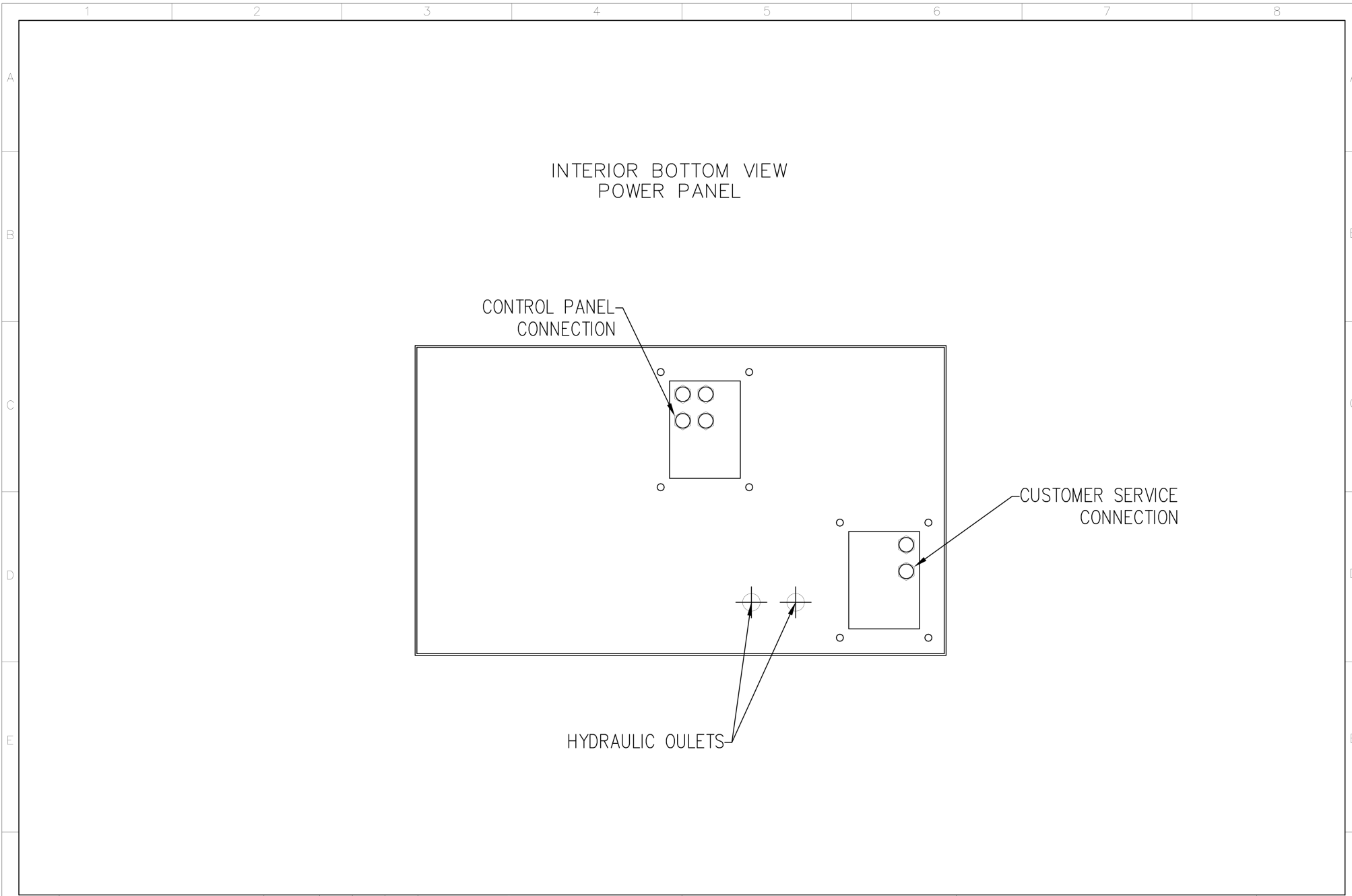
Title: Structure and Arrangement Volta C1D2
Internal View
Power Panel

REV. GRAL: 0

HOJA: 04
REVISION: 0

CONTINUA: 05

MVA S.A. OWNERSHIP OF THIS DOCUMENT IS RESERVED. IT IS PROHIBITED TO REPRODUCE, MODIFY OR TRANSFER WITHOUT PRIOR WRITTEN AUTHORIZATION.



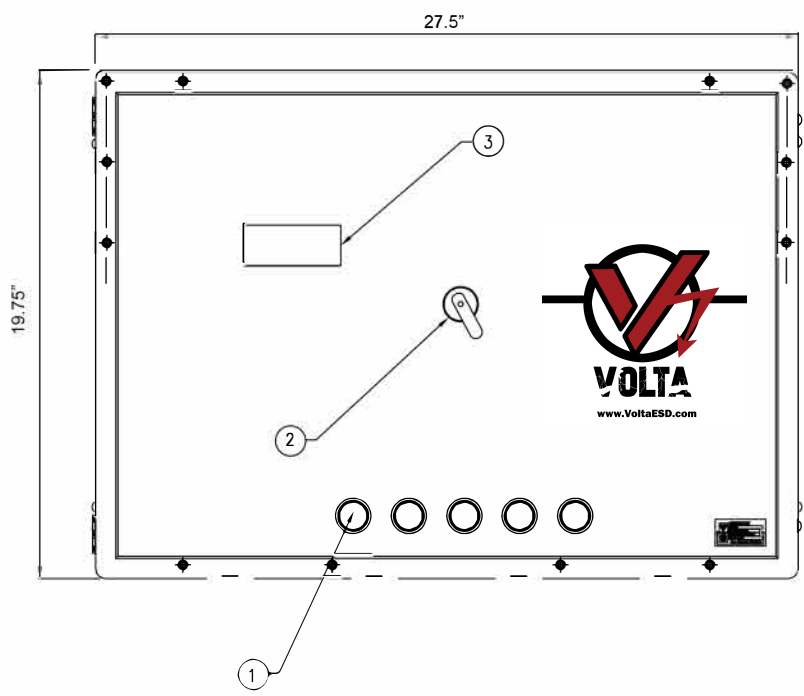
PROJECT: Volta C1D2					
0	First Issue	09/02/24	NBC	NBC	MPV
REV	DESCRIPCION	FECHA	PROY.	DIBUJO	APROB.



N° DE DOC:			REV. GRAL:	0
Title: Structure and Arrangement Volta C1D2 Bottom View Power Panel	HOJA:	05	REVISION:	0
				CONTINUA: 06

MANA S.A. OWNERSHIP OF THIS DOCUMENT IS RESERVED. IT IS PROHIBITED TO REPRODUCE, MODIFY OR TRANSFER WITHOUT PRIOR WRITTEN AUTHORIZATION.

FRONT VIEW
CONTROL PANEL



REF.	DESCRIPTION	QTY.
1	PUSH BUTTON	5
2	SELECTOR ON/OFF	1
3	CONTROLLER DISPLAY	1

REV	DESCRIPCION	FECHA	PROY.	BUJÓ	APROB.
0	First Issue	09/02/24	NBC	NBC	M.P.V

PROJECT: Volta C1D2

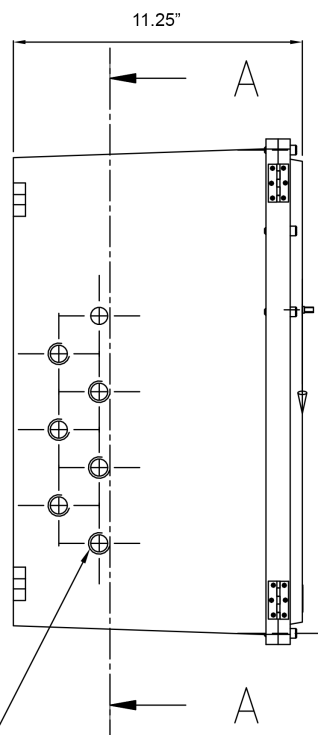
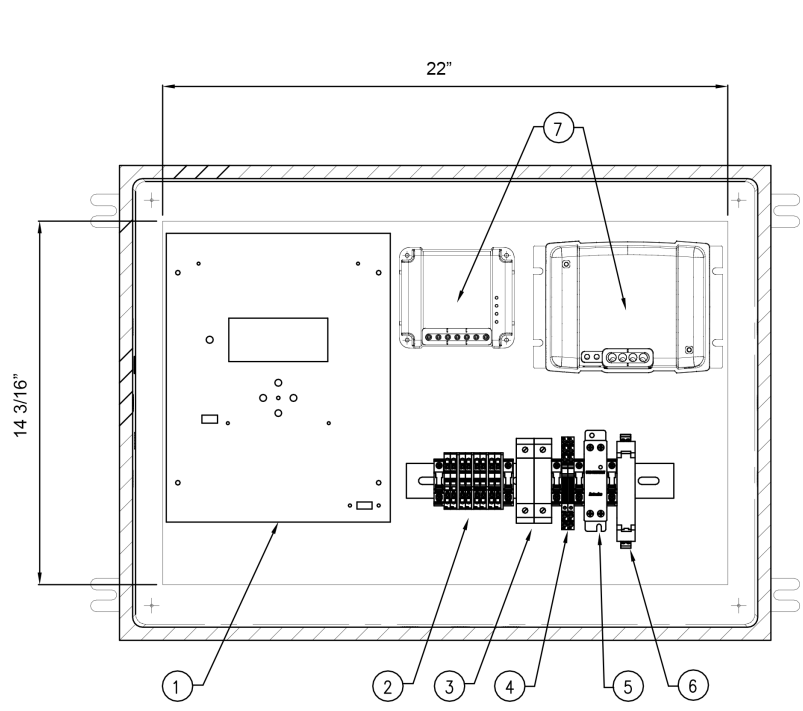


N° DE DOC:	REV. GRAL:	0
Title:	HOJA:	REVISION:
Structure and Arrangement Volta C1D2	06	0
External View	CONTINUA: 07	
Control Panel		

MVA S.A. OWNERSHIP OF THIS DOCUMENT IS RESERVED. IT IS PROHIBITED TO REPRODUCE, MODIFY OR TRANSFER WITHOUT PRIOR WRITTEN AUTHORIZATION.

SECTION A-A

SIDE VIEW CONTROL PANEL



EXPLOSION-PROOF
CABLE GLANDS

REF.	DESCRIPTION	QTY.
1	CONTROLLER	1
2	TERMINAL BLOCKS	8
3	FUSES	2
4	RELAY TERMINAL	2
5	SOLID STATE RELAY	1
6	INTRINSICALLY SAFE BARRIER	1
7	BATTERY CHARGER	2

PROJECT: Volta C1D2



0	First Issue	09/02/24	NBC	NBC	MPV
REV	DESCRIPCION	FECHA	PROY.	DIBUJO	APROB.

N° DE DOC:	REV. GRAL:	0
Title: Structure and Arrangement Volta C1D2 External and Internal View Control Panel	HOJA:	07
	REVISIÓN:	0
	CONTINUA:	-