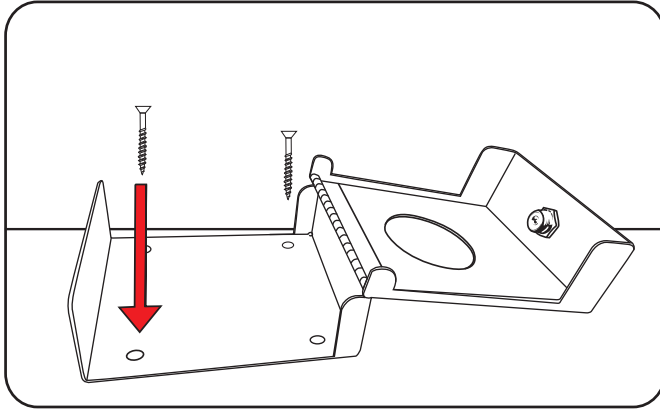
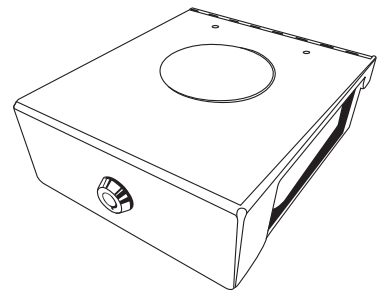
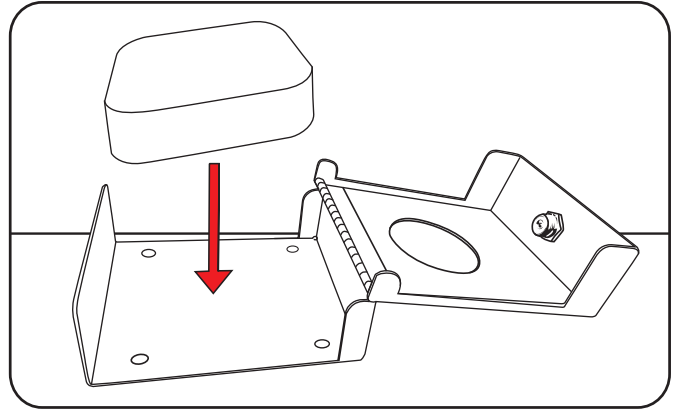


# Apple TV Enclosure Installation Instructions



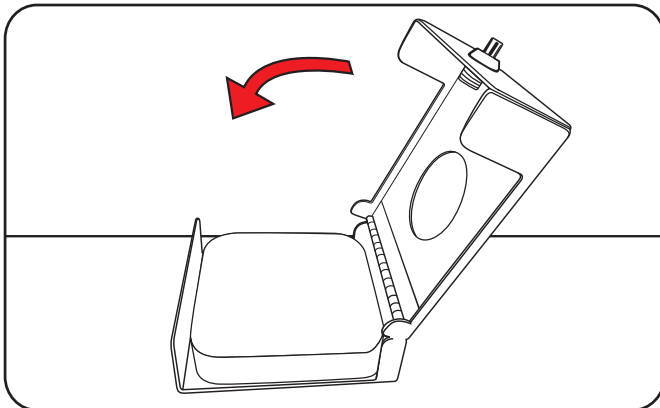
**STEP 1:**

Screw flat head screws into mounting holes. Do not use hardware that will protrude out. This may cause damage to Apple TV.



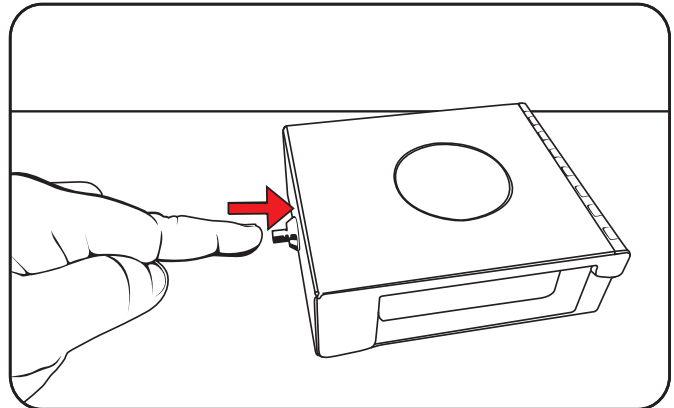
**STEP 2:**

Place Apple TV inside the Enclosure.



**STEP 3:**

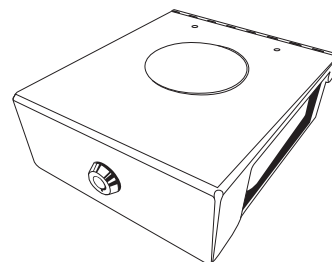
Once the Apple TV is inside close lid on the Enclosure.



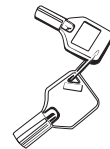
**STEP 4:**

Push to suppress button to lock Apple TV Enclosure

**Tools and Components included in your package:**



AppleTV Enclosure



Keys

