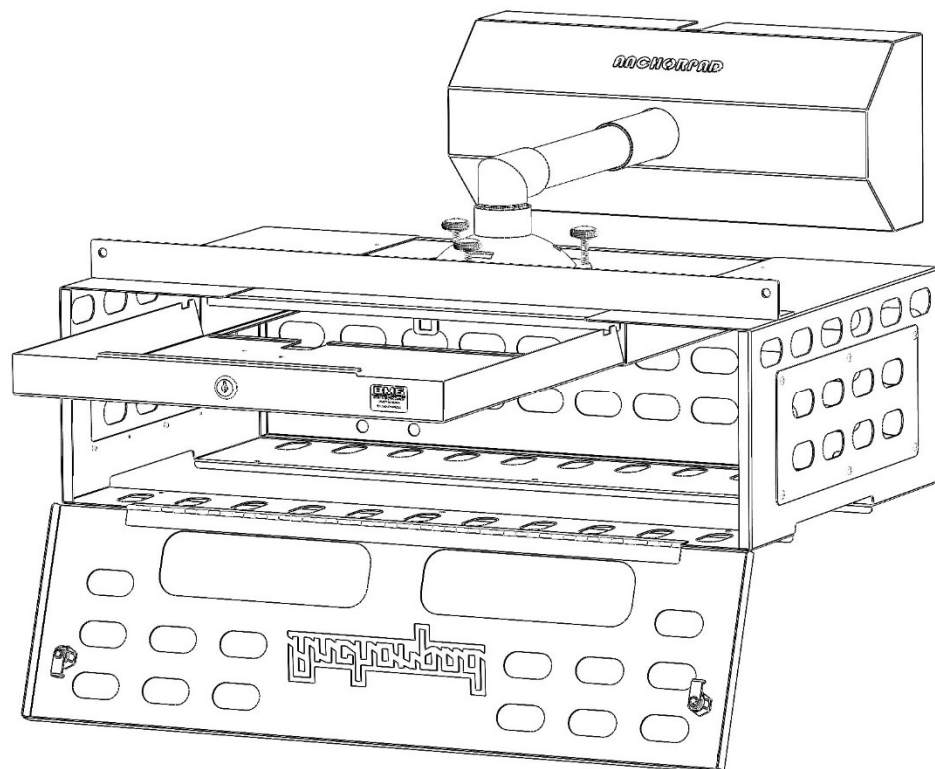


BMS-AnchorPad

UST PROJECTOR PROTECTOR • 2023 *Series*

WITH 11"-20"-INCH ADJUSTABLE WALL ARM MOUNT (CTAWA)



Quick Guide

Basic installation instructions

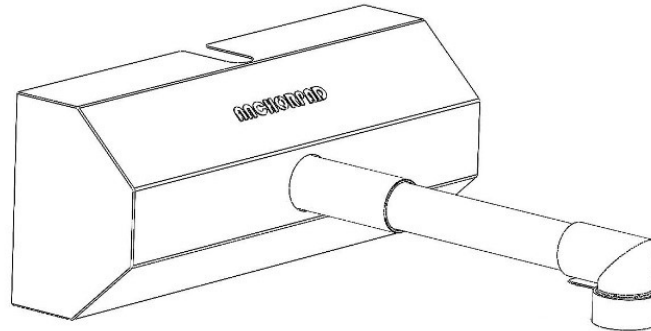
BMS-AnchorPad

UST PROJECTOR PROTECTOR • 2023 Series

WITH 11"-20"-INCH ADJUSTABLE WALL ARM MOUNT (CTAWA)

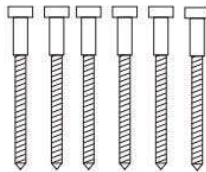
WHAT'S IN THE ADJUSTABLE WALL ARM MOUNT BOX

(1) 11"-20"-INCH ADJUSTABLE ARM WALL MOUNT (CTAWA)

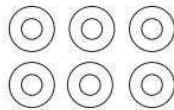


Tools and Components included in your package:

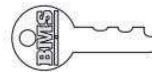
3/8" Lag Bolts
(QTY 6)



3/8" Washers
(QTY 6)



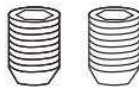
Key
(QTY 1)



Screw Lock
(QTY 1)



1/4 - 20 X 1/4
Stabilizing Screw
(QTY 2)



1/4 - 20 X 1/4
Adjustment Screw
(QTY 1)



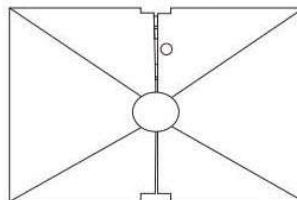
1/8 Allen
Wrench
(QTY 1)



4 - 40
Machine Nut
(QTY 2)



Vanity Plate
(QTY 1)



Technical Support

Call us at 800.872.9562 Ext. 1115

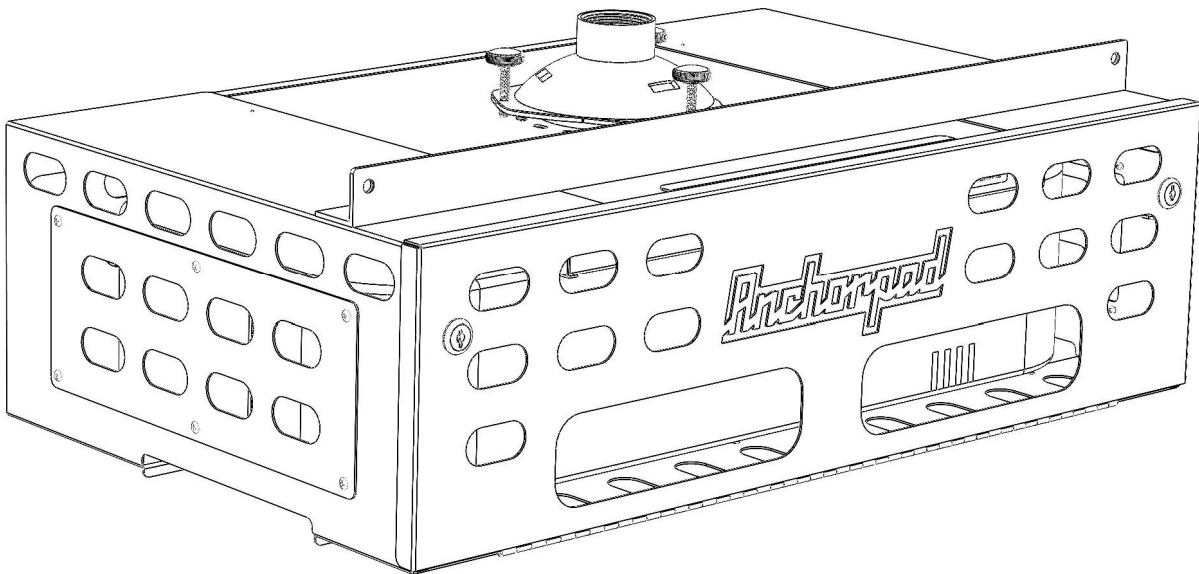
BMS-AnchorPad

UST PROJECTOR PROTECTOR • 2023 Series

WITH 11"-20"-INCH ADJUSTABLE WALL ARM MOUNT (CTAWA)

WHAT'S IN THE PROJECTOR MOUNT BOX

1) UST PROJECTOR PROTECTOR (2023 SERIES)



PARTS INCLUDED IN YOUR PACKAGE:

INCLUDED IN YOUR PACKAGE

- PIPE ADHESIVE
- THREAD LOCK
- 1 1/2" INCH PIPE COUPLER
- MICRO ADJUSTABILITY DOME
- RECEIVER TRAY
- GRID PLATE

HARDWARE KIT

- PAN HEAD METRIC SCREW*
- 6MM X 10MM (QTY 5)*
- #10 SAE FLAT WASHER (QTY 6)
- SCREW LOCK (QTY 1)
- CAGE LOCKS (QTY 2)
- ADJUSTABLE KNOBS (QTY 4)

Technical Support

Call us at 800.872.9562

BMS-AnchorPad

UST PROJECTOR PROTECTOR • 2023 Series

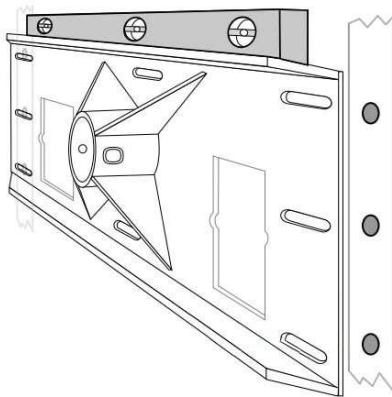
WITH 11"-20"-INCH ADJUSTABLE ARM MOUNT (CTAWA)

BASIC INSTALLATION INSTRUCTIONS

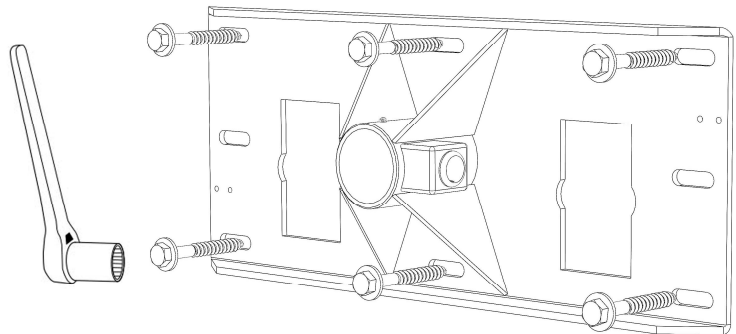
⚠ CAUTION

SOME STEPS IN THE INSTALLATION MIGHT REQUIRE 2 OR MORE PEOPLE

STEP 1. WALL PLATE INSTALLATION



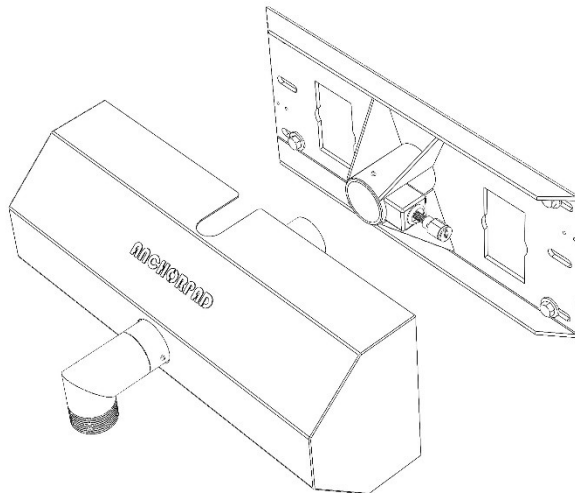
1. Level Wall Plate and mark location of holes. (Six Holes on Plate)



2. Drill 5/16" pilot holes in center of wall stud in marked areas. (Six Holes on Plate).

3. Insert lag bolts and washers into pilot holes using the socket wrench and firmly tighten.

STEP 2. ATTACHING VANITY COVER TO ARM & WALL



1. Slide wall plate onto Wall Arm prior to inserting Arm into Wall Plate.

2. After Arm Mount is in place, secure Vanity Cover to Wall Plate by pressing firmly until snug.

Technical Support

Call us at 800.872.9562

BMS-AnchorPad

UST PROJECTOR PROTECTOR • 2023 Series

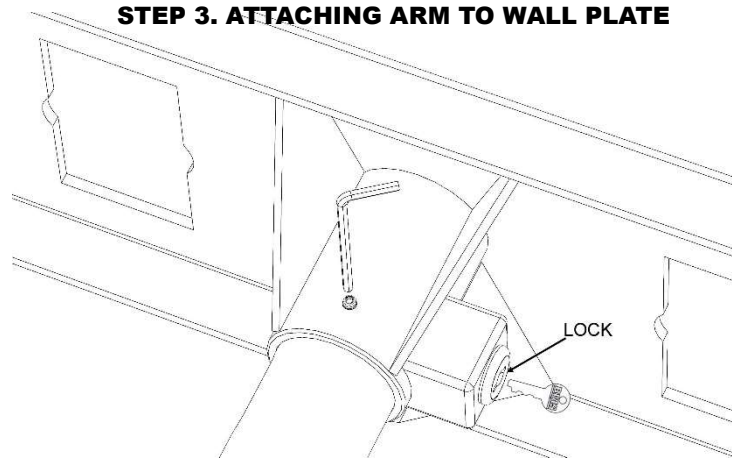
WITH 11"-20"-INCH ADJUSTABLE ARM MOUNT (CTAWA)

BASIC INSTALLATION INSTRUCTIONS

⚠ CAUTION

SOME STEPS IN THE INSTALLATION MIGHT REQUIRE 2 OR MORE PEOPLE

STEP 3. ATTACHING ARM TO WALL PLATE



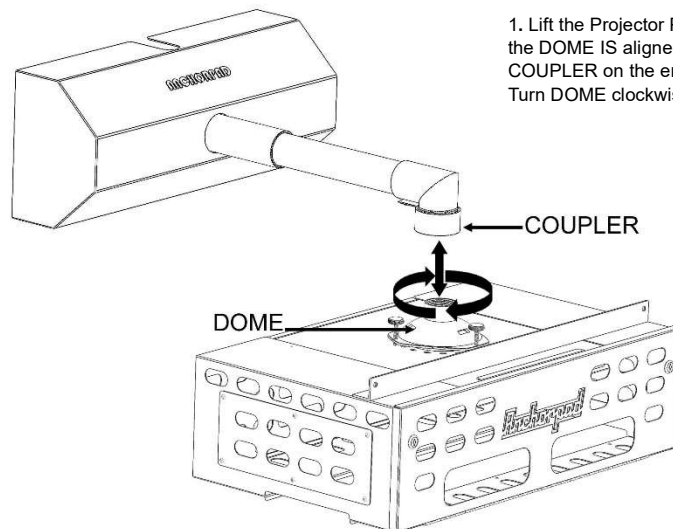
1. Insert the arm into wall plate and screw lock into aligning holes.

2. Screw two stabilizing screws intermittently into bottom of wall plate then top.

3. Adjust pipe to desired length then insert and tighten final screw into end of pipe arm.

STEP 4. ATACHING PROJECTOR PROTECTOR TO ARM MOUNT

“The Next Step Requires 2 People.”



1. Lift the Projector Protector until the DOME IS aligned with the COUPLER on the end of the pipe. Turn DOME clockwise until snug.

Technical Support

Call us at 800.872.9562

BMS-AnchorPad

UST PROJECTOR PROTECTOR • 2023 Series

WITH 11"-20"-INCH ADJUSTABLE ARM MOUNT (CTAWA)

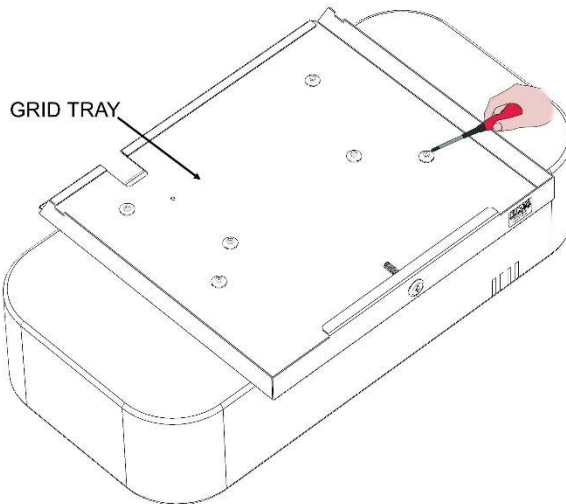
BASIC INSTALLATION INSTRUCTIONS

⚠ CAUTION

SOME STEPS IN THE INSTALLATION MIGHT REQUIRE 2 OR MORE PEOPLE

STEP 5. MOUNTING THE PROJECTOR TO THE GRID TRAY

1. Mount the Grid Tray onto the projector by turning the projector upside down to reveal the screw-inserts on the bottom of the projector. Insert provided hardware and tighten.



ATTENTION:

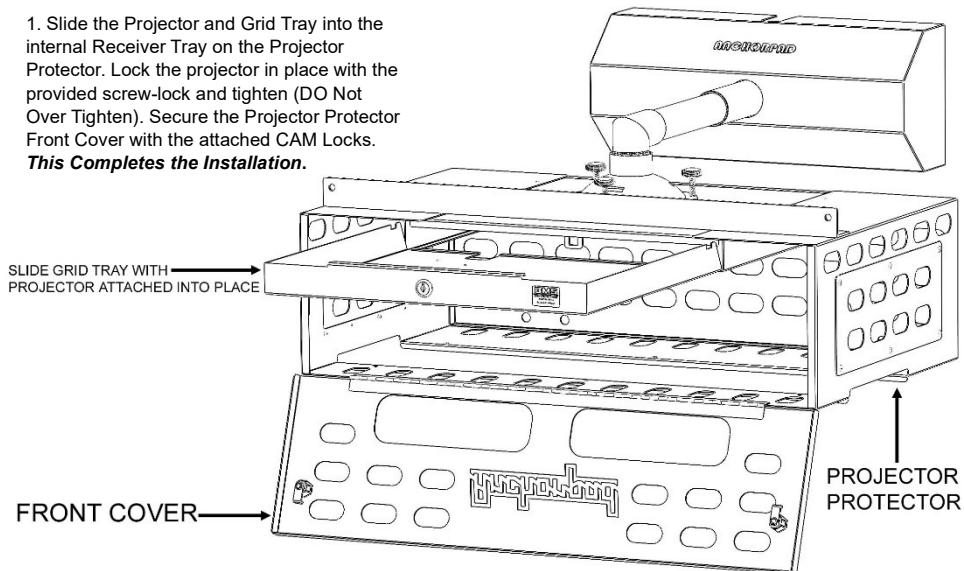
The Projector Protector comes with pre-installed Plexiglass to help protect the lens. If you encounter any issues, it's okay to remove the Plexiglass using a Phillips Screwdriver.

**SCAN QRC CODE FOR
INSTALLATION VIDEO**



STEP 6. MOUNTING THE PROJECTOR TO THE RECEIVER TRAY

1. Slide the Projector and Grid Tray into the internal Receiver Tray on the Projector Protector. Lock the projector in place with the provided screw-lock and tighten (DO NOT Over Tighten). Secure the Projector Protector Front Cover with the attached CAM Locks. ***This Completes the Installation.***



Technical Support

Call us at 800.872.9562