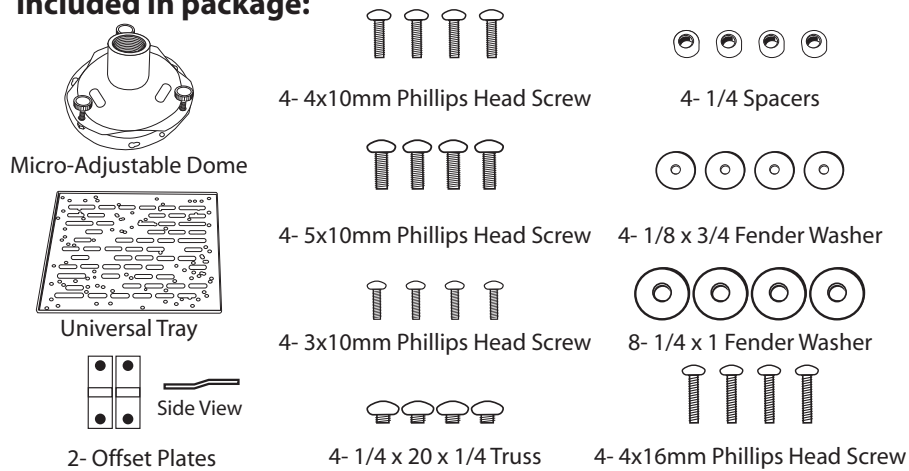


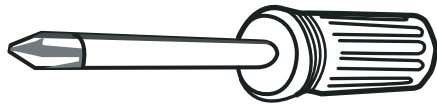
# Parts Included

## Included in package:



## Tools needed to complete install:

Phillips  
Screwdriver



## Important Warnings and Cautions

- Warning** - Failure to read, understand and follow instructions can result in serious injury, damage to equipment or voiding equipment warranty.
- Warning** - Improper installation can result in serious personal injury or death. Ensure that the mounting surface can support a weight factor of four times the combined total weight of the equipment and the mount. If not, reinforcement of the mounting surface will be necessary before installing the mount.
- Warning** - It is the installer's responsibility to make sure that the mounting surface and the subsurface is free and clear of all electrical wires, plumbing and gas pipes. Failure to provide adequate clearance of all electrical wires and pipes can result in serious personal injury or death.
- Warning** - Mount and equipment exceeding a combined weight of 50 lbs can result in damage to the support structure, the mount, the equipment and may cause personal injury.
- Warning** - Business Machine Security, Inc. does not warrant its mounts against damage caused by the end use of its mounts for any purpose other than for the purpose for which it has been designed.
- Warning** - Business Machine Security, Inc. is not responsible for damage, or injury that may result in the use of any unauthorized modifications or attachment.
- Warning** - Proper safety gear (Goggles, Glasses & Gloves) and practices should be adhered to at all times throughout the installation process.
- Warning** - Do not install the mount near any heat source or air conditioning vent which may be prone to vibration.
- Warning** - Maximum load capacity 50 lbs.
- Warning** - Do not expose to extreme temperatures.

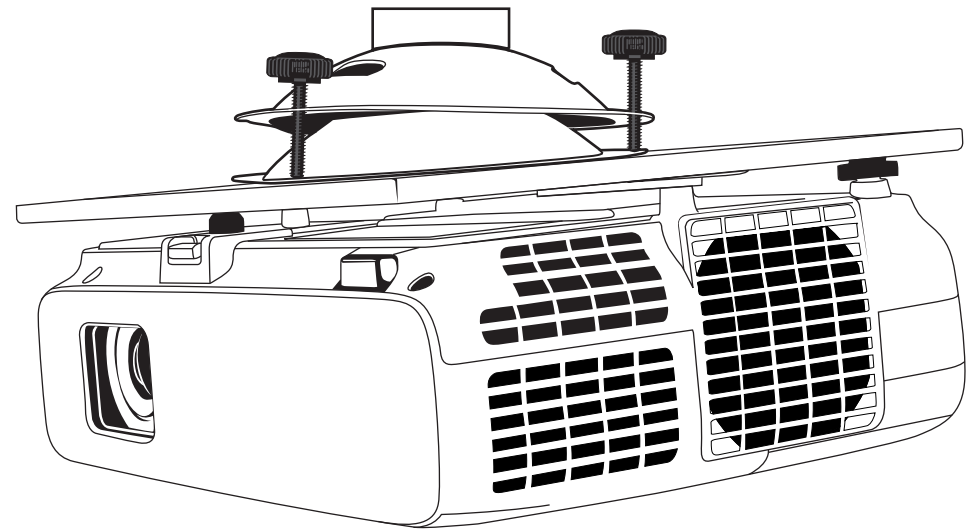
Customer Service - (800) 872-9562

Technical Support - [customerservice@locdown.com](mailto:customerservice@locdown.com)

Website - [www.LocDown.com](http://www.LocDown.com)

**BMS** Eco Mount  
Business Machine Security  
**AnchorPad**

# Installation Guide

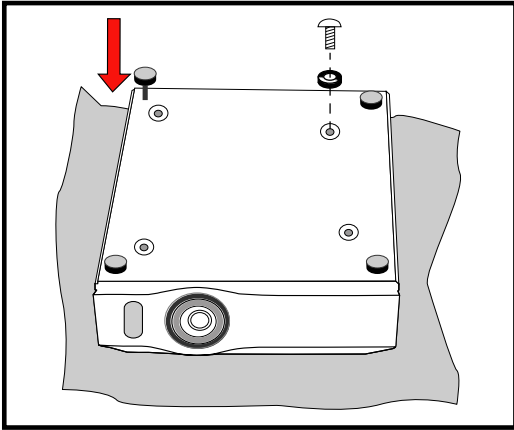


Made in USA

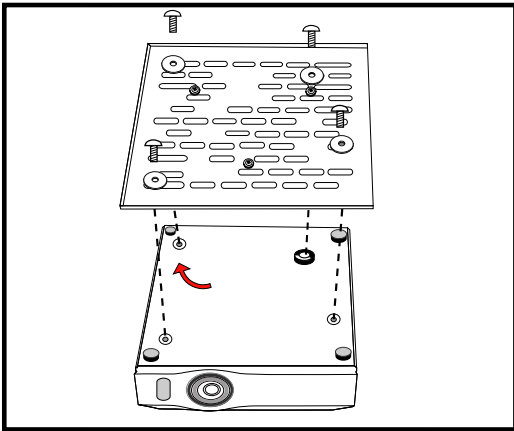
[www.LocDown.com](http://www.LocDown.com)  
[www.Anchorpad.com](http://www.Anchorpad.com)

800.872.9562

## 1 Attach Projector to Universal Tray



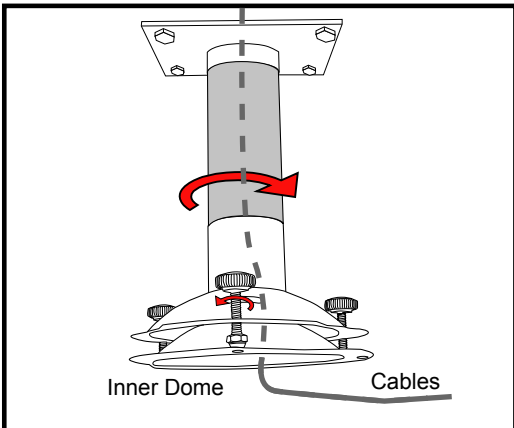
1. Place the projector upside down on a soft cloth and remove or lower the feet as much as possible.



2. Align and attach Universal Tray to the projector mounting inserts with the supplied Machine Screws and Washers.

**Note:**  
If Tray does not lay flush on the projector, place Spacers on the mounting inserts BEFORE attaching Tray.

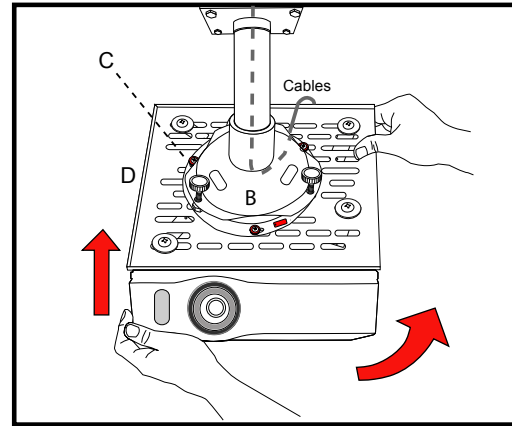
## 2 Installing Micro Adjustment Dome



1. Tighten all 3 Adjustment Knobs against the Inner Dome until secure before attaching the Dome to the tray.

2. Screw on Micro-Adjustment Dome Assembly to Optional Threaded Extension Pipe.

## 3 Securing Micro Adjustment Dome to Tray



1. Cable management - Install cables through pipe and Micro-adjuster Dome (B), over the grid plate to attach to the projector's inputs.

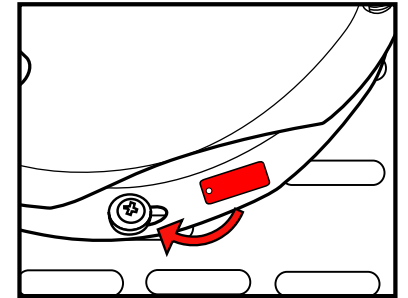
2. Lift the Tray (D) up (with attached projector) while carefully aligning the connecting Key Holes on the Dome (B) with the Spring Bolts (C) on the tray.

3. Push the Tray (D) and projector up so the Spring Bolts (C) insert through the connecting holes, then rotate the Tray (D) and projector in a clockwise position until all Bolts (C) are snug.

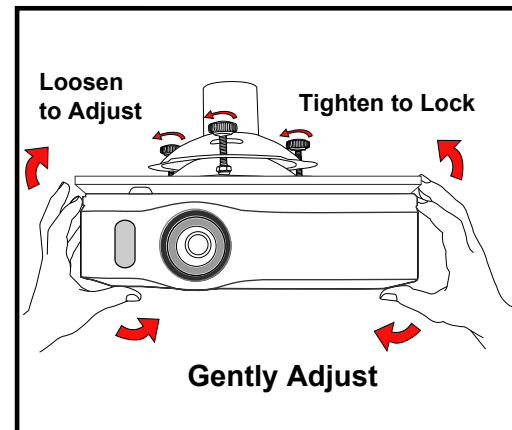
4. Rotate Safety Clip around to press snugly onto the bolt.

### Attention

Make sure that all 3 Spring Bolts (C) have engaged the dome before letting go of the projector.



## 6 Adjusting the Dome to Align Projector



1. To align the projector, tighten or loosen the 3 Adjustment Knobs by rotating each until the image is properly registered.

**\* Parts Description on Back Page**