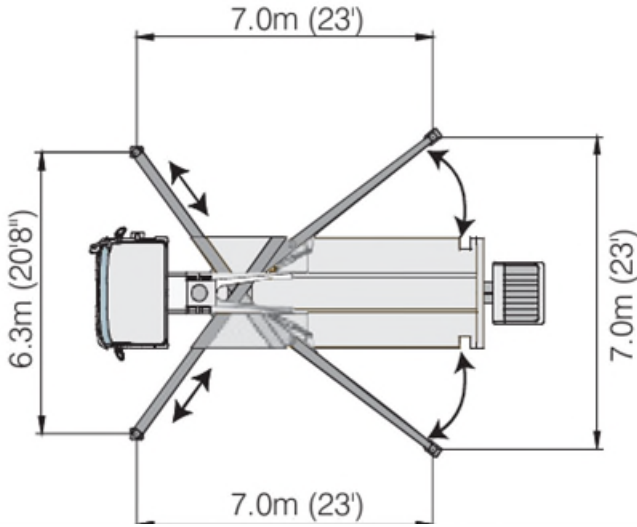


37 Meter Z-Fold Boom Pump



Specifications:

- Vertical Reach: 36.5 m (119'9")
- Horizontal Reach: 32.5 m (106'8")
- Reach from Front: 29.5 m (96'9")
- Unfolding Height: 8.48 m (27'10")
- 1st Section Length: 8.7 m (28'7")
- 2nd Section Length: 7.7 m (25'3")
- 3rd Section Length: 8.2 m (26'11")
- 4th Section Length: 7.9 m (25'11")
- Front Spread: 6.3 m (20'8")
- Rear Spread: 7.0 m (23')
- Vehicle Weight: 25,050kg (55,250lbs)
- Vehicle Length: 12.45 m (40'10")
- Max Outrigger Load: 37,000lbs (165KN)

