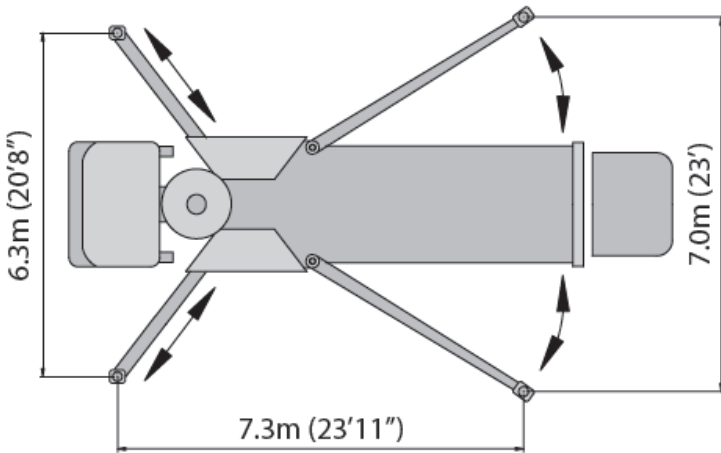


# 38 Meter Z-Fold Boom Pump



## Specifications:

- Vertical Reach: 37.1 m (121'9")
- Horizontal Reach: 33.1 m (108'7")
- Reach from Front: 29.6 m (97'2")
- Unfolding Height: 8.9 m (29'2")
- 1<sup>st</sup> Section Length: 8.98 m (29'5")
- 2<sup>nd</sup> Section Length: 7.85 m (25'9")
- 3<sup>rd</sup> Section Length: 7.94 m (26'1")
- 4<sup>th</sup> Section Length: 8.33 m (27'4")
- Front Spread: 6.3 m (20'8")
- Rear Spread: 7.0 m (23')
- Vehicle Weight: 28,500 kg (62,835 lbs)
- Vehicle Length: 12.45 m (40'10")
- Max Outrigger Load: 37,000lbs (165KN)

