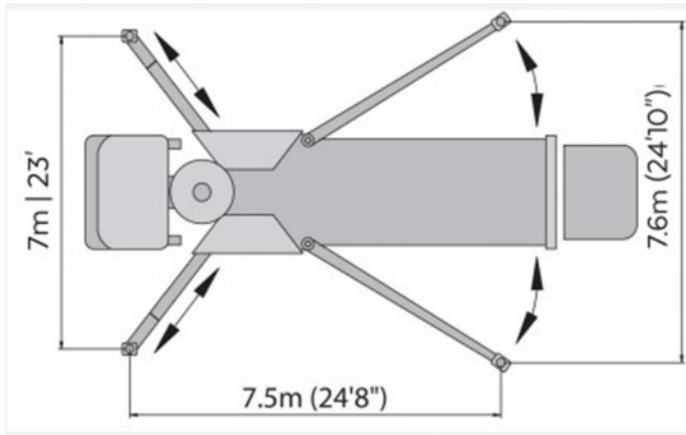


41 Meter Roll & Fold Boom



Specifications:

- Vertical Reach: 40.5 m (132'10")
- Horizontal Reach: 36.5 m (119'9")
- Reach from Front: 33.5 m (109'11")
- Unfolding Height: 9.8 m (32' 2")
- 1st Section Length: 9.7 m (31'10")
- 2nd Section Length: 8.8 m (28'10")
- 3rd Section Length: 8.9 m (29'2")
- 4th Section Length: 9.1 m (29'10")
- Front Spread: 7 m (23')
- Rear Spread: 7.6 m (24' 10")
- Vehicle Weight: 26,100 kg (57,540 lbs)
- Vehicle Length: 12.90 m (42'3")
- Max Outrigger Load: 56,200lbs (250KN)

