



Eco Water Solutions

www.ecowater.co.nz

021 745 335



GORILLA PUMP STATIONS

Further and Faster

150 Litre Stormwater Drainage Pump

Installation Instructions

Thank you for purchasing a Gorilla Pump Stations tank and pump unit. These units are designed as a solution for stormwater.

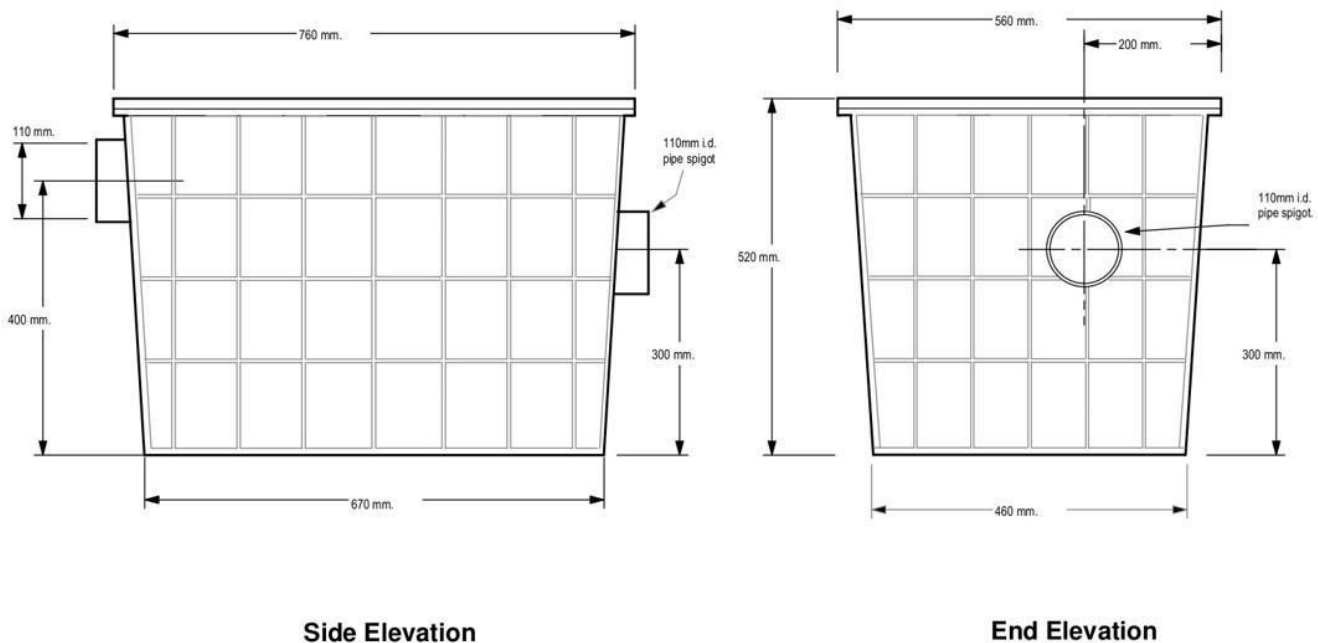
Unpacking

Remove the lid of the tank (2x screws) as the pump is packed within a carton inside the 150L plastic tank. Underneath the pump are the discharge pipe fittings and valves.

Remove all packaging. When unpacking please check for possible damage caused in transit.

Check that the correct pump is installed in the unit.

General dimensions



Side Elevation

End Elevation

Outlet connection

The outlet is a 40mm BSP-female screwed socket, normally located on right hand side when facing the inlet connection. If requested at time of ordering it can be located on the left side or on the inlet end.

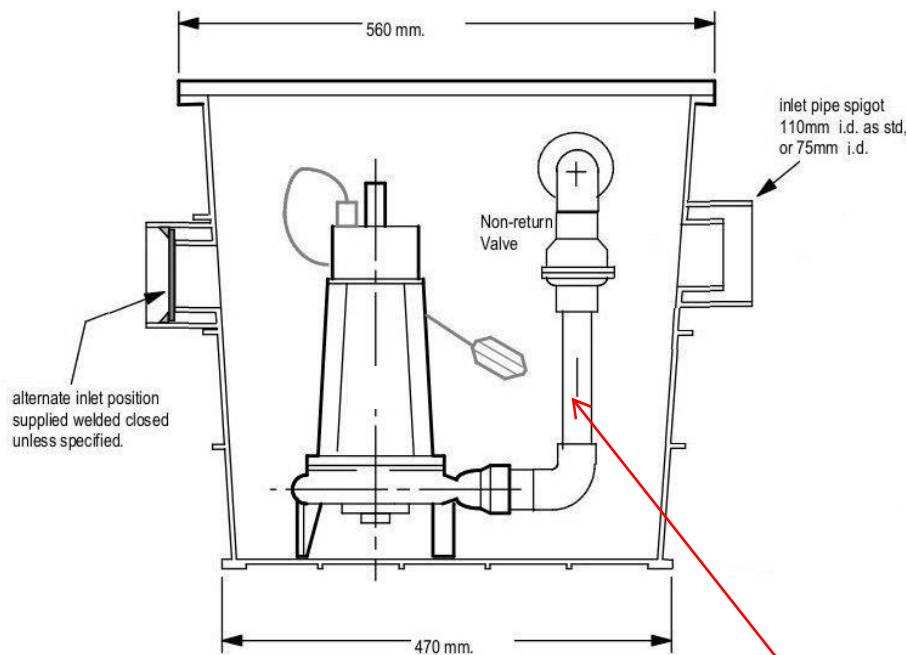
Inlet Connection

Inlet connection is a 110mm i.d. socket, with a secondary 75mm i.d. socket to suit smaller waste pipes. The NZ standard 110mm diameter pipe will slide inside the socket for a tight fit. However due to the grade of plastic it cannot be glued in place, and we recommend a Plumbquick rubber joiner.

There is a secondary inlet connection at the other end of the tank, which is 40mm lower, and this can be sealed with silicone or similar. Both blanks can be fitted if unit is to be used as a tank only.

Assembly

Please refer to the sectional drawings shown below so that you can see how the unit appears when fully assembled.



Do not use the power cable to lift the pump.

Ensure that the pump is centered in the tank, and that the float switch is free to move up and down without obstruction.

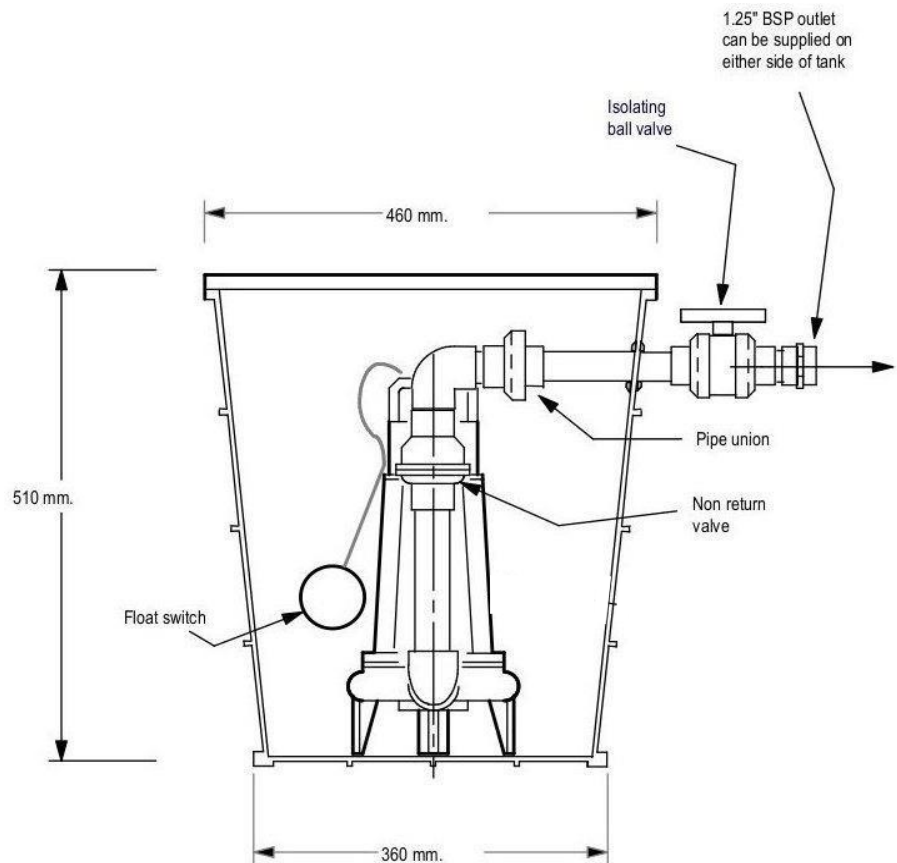
Read the pump instruction manual supplied with the pump.

This pipe is not glued. Cut to suit, then glue and test.

The tank lid is constructed from a polyester resin concrete mixture. It is very strong and is able to be walked on if the tank is properly installed in the ground.

The tank and lid is not designed to take the weight of vehicular traffic, so do not install in driveways or vehicle parking places.

The lid sits into a groove in the top of the tank. When digging a hole to install the tank in ground, we recommend a minimum of 75mm of level wet concrete be placed in the bottom of the hole and the tank nestled into that level, in order to anchor it in place.



If the tank is located in a position that will mean that it will be regularly walked on, we recommend surrounding the top of the tank with concrete as well.

Cable Installation

An RCD (Residual Current Device) must be used with this product!

The 50mm pipe connection fitting is supplied loose so that you can install it in the best position to suit site conditions for venting. To install use a hole saw to cut a hole 60mm diameter, then fit the male part within the tank inserting the threaded portion through the hole, and then screw the female part on to it outside the tank and tighten.

The purpose of this fitting is to provide connection for a 50mm cable conduit.

The conduit pipe is required to act as a conduit for the pump power cable, as any cable installed in-ground requires installation in a conduit. A 50mm pipe will pass a 3-pin plug, and this enables installation without cutting the power cable, and so this eliminates the need for an electrician (electrical conduit is required)

The 50mm white plug is cut for cable to slide into. Push into outlet seal cable.

Use a Plumbquick to join tank connection to the conduit.

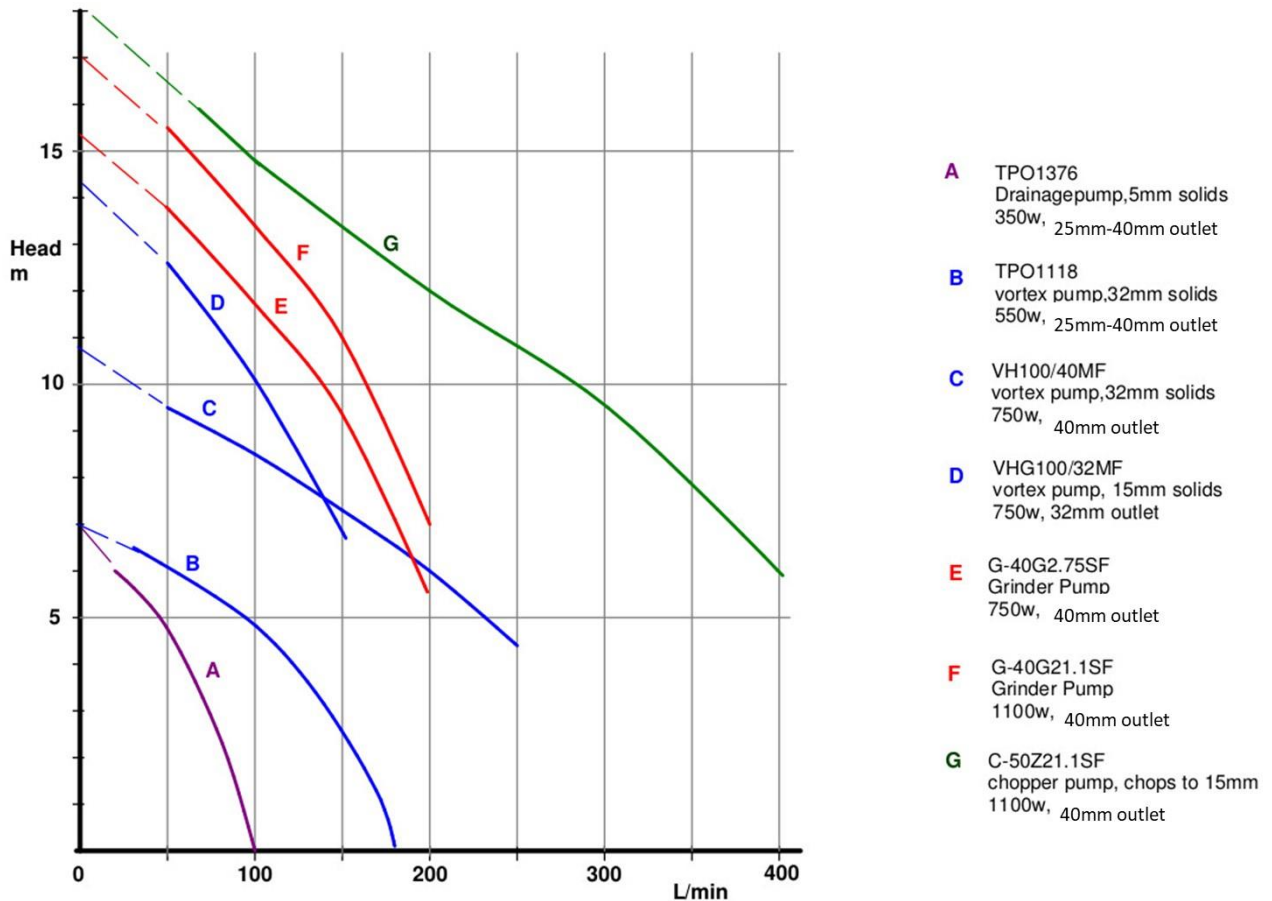
Tip: *if you ever withdraw the pump from the tank and need to remove the cable, tie a piece of string to the plug so that you can pull it back through the electrical conduit later.*

When installing, draw as much cable out through the electrical conduit as possible, rather than let it coil up inside the tank.

>> *Never lift the pump by the cable, as that will damage the pump.
Always lift using the handle on top of the pump.*

Pump Specs

Pump performance is shown below



Read the pump instruction manual supplied with the pump.

A 50mm connection if fitted c/w seal plug for pump plug to be connected to 50-meter electrical conduit. This is needed if pump needs to be replaced or serviced. **Reducing conduit size will invalidate warranty.**

Use Plumbquick connector between plug outlet and conduit.

Maintenance

- Check regularly for build-up of solids or any other matter in pump chambers.
- Periodically wash down the inner walls of the chamber with a high-pressure hose to activate pump and thus flush out the chamber.
- Check that the vent pipe is also clean and free of any obstruction.