

LYNX Series Bottom Loading Coupler

The LYNX series brings together the best features of all API couplers to provide a superior and effortless bottom loading experience.

Built with some key stainless steel components and coming in at 8.6kg, the industry leading LYNX Series coupler is impressive by any measure.

From the moment you use the LYNX, you will experience outstanding performance and advanced safety combined with ease of servicing and extended service.

The LYNX has been developed with attention to detail and superior quality.



Key Features

- Fast in-field replacement of main seals, on or off the arm.
- Quick and easy disassembly of entire coupler through U-pin design.
- Automatic Latching.
- U-pin is secured when the TTMA flange is fastened to prevent the pin from coming out in service.
- A range of seals available for use to suit a range of applications.
- Two operating handle sizes to suit customer preferences.
- Four, “true interlocking” stainless steel latches ensure secure coupling and maximum safety.
- High quality components including a stainless steel collar and hard anodised aluminium body for increased service durability and life.
- Minimal product leakage during disconnect increases site safety.
- Low risk of leakage through a proven sealing design.
- Ergonomic operating handle and carry loop results in less physical strain on users during use.

Ordering Information

LYNX850 Short Handle, Viton B70	LYNX852 Long Handle, Viton B70	LYNX862 Short Handle Drip Catcher, Viton B70
LYNX850VG Short Handle, Viton GFLT	LYNX852VG Long Handle, Viton GFLT	LYNX862VG Long Handle Drip Catcher, Viton GFLT
LYNX850C Short Handle, FFKM	LYNX852C Long Handle, FFKM	
	LYNX852G Long Handle, AVGAS Selective	
	LYNX852J Long Handle, Jet Selective	

Note: Please see overleaf for other seal options and for a list of spare parts available.

Specifications

Handle Length	Short (150mm) or Long (200mm).	
Seals	Viton B, Viton GFLT, FFKM or NBR - Nitrile. (Other seals available on request).	
Max Working Pressure	550 kPa.	
Product Test Pressure	820 kPa.	
Design Pressure	2500 kPa.	
Max Surge Pressure	3400 kPa.	
Operating Temperature	-10°C to +80°C (14°F to + 176°F) - Viton B70. -20°C to +60°C (-4°F to + 140°F) - Viton GFLT.	-5°C to +80°C (-23°F to + 176°F) - FFKM.
Design Standard	API RP 1004 8th EDITION 2003 - Bottom Loading and Vapour Recovery; AS5602-2009.	
Dismantling	Removal of one U-pin enables the shaft assembly and main poppet to be withdrawn	
Mounting	<ul style="list-style-type: none"> • By industry standard 100mm (4”) TTMA Flange. • 8 holes Ø11mm on 149mm PCD, 168 outside diameter (Ø7/16” on 5.8” PCD, 6.6” OD). • Use spring washers when mounting coupler as per common industry practice. 	
Adjustment or Service	Refer to Maintenance Instructions document.	
Weight	8.6kg.	

Spare Parts

The table below lists common spare parts for the LYNX series coupler.

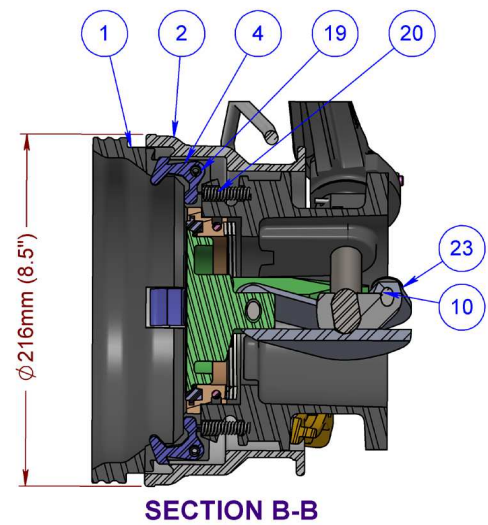
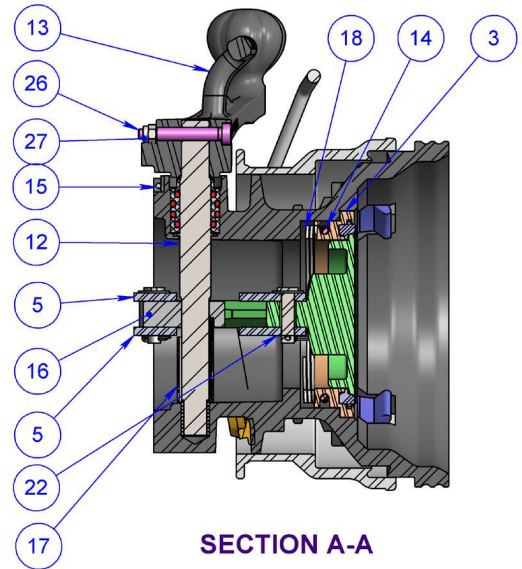
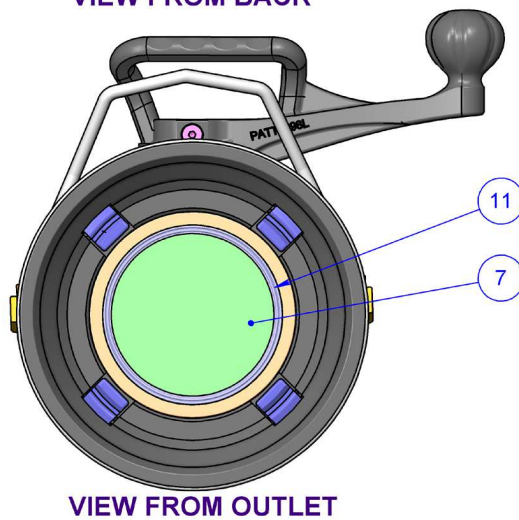
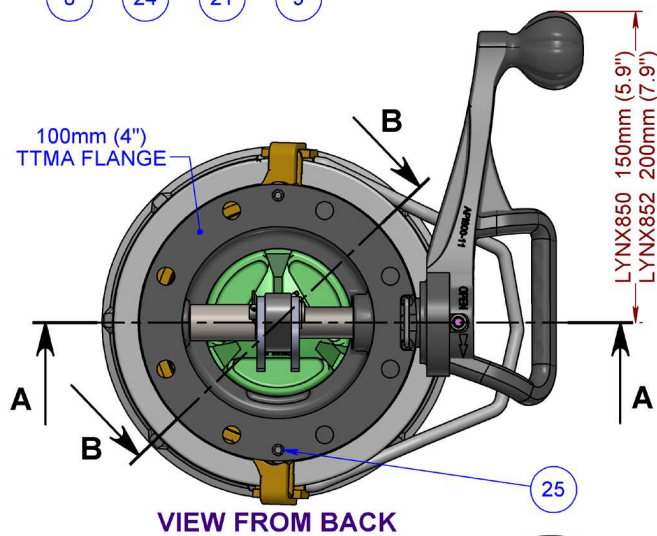
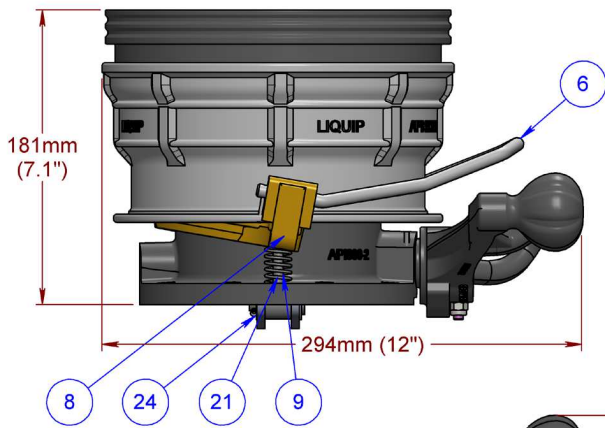
Part Number	Spare Part Description	Contents	Quantity required*
API850SKZ	LYNX850 All seal kit (Viton B)	1 x API800-1 Product Seal (Viton B) 1 x 0203 Outer O-ring (Viton B) 1 x 5805 Grease Kit 1 x API850-7A	1
API850VGSKZ	API800 All seal kit (Viton GFLT)	1.x API800-1VG Product seal (Viton GFLT) 1 x 0203VG outer o-ring (Viton GFLT) 1 x 5805 Grease Kit 1 x API850-7AVG	1
API8KITZ	API800 Poppet Seal/O-ring Kit (Viton B)	1 x API800-1 Product Seal (Viton B) 1 x 0203 Outer O-ring (Viton B) 1 x 5805 Grease Kit	1
API8VGKITZ	API800 Poppet Seal/O-ring Kit (Viton GFLT)	1 x API800-1VG Product seal (Viton GFLT) 1 x 0203VG outer o-ring (Viton GFLT) 1 x 5805 Grease Kit	1
API850-7A	Bush and O-ring assembly (Viton B)	1 x Bush and O-ring assembly (Viton B) 1 x Nyloc Nut (4955) 1 x Shim washer (API800-14)	1
API850-7AVG	Bush and O-ring assembly (Viton GFLT)	1 x Bush and O-ring assembly (Viton GFLT) 1 x Nyloc Nut (4955) 1 x Shim washer (API800-14)	1
API850-7AC	Bush and O-ring assembly (FFKM)	1 x Bush and O-ring assembly (FFKM) 1 x M6 Nyloc Nut (4955) 1 x Shim washer (API800-14)	1
API850-7ANBR	Bush and O-ring assembly (NBR - Nitrile)	1 x Bush and O-ring assembly (NBR - Nitrile) 1 x M6 Nyloc Nut (4955) 1 x Shim washer (API800-14)	1
API800-1	Product Seal (Viton B)	1 x Seal Product (Viton B)	1
API800-1VG	Product Seal (Viton GFLT)	1 x Seal Product (Viton GFLT)	1
API800-1K	Product Seal (FFKM)	1 x Seal Product (FFKM)	1
API800-1F	Product Seal (Fluorosilicone) Recommended for low temp below - 20°C to -40°C.	1 x Seal Product (Fluorosilicone)	1
API800-1NBR	Product Seal (NBR - Nitrile) Recommended for low temp below - 20°C to -45°C. (Diesel only).	1 x Seal Product (NBR - Nitrile)	1
0203	O-ring (Viton B)	1 x O-ring for poppet adaptor ring (Viton B)	1
0203VG	O-ring (Viton GFLT)	1 x O-ring for poppet adaptor ring (Viton GFLT)	1
0203B	O-ring (NBR - Nitrile)	1 x O-ring - poppet adaptor ring (NBR - Nitrile)	1
0203K	O-ring (FFKM)	1 x O-ring for poppet adaptor ring (FFKM)	1
API800-23	U-Pin	1 x U-Pin assembly	1
6182	Wave Spring	1 x Wave Spring	1
0762	Split Pin	1.x Split Pin	4
API725-4Z	Latch Collar Interlock Kit	4 x Latch Collar Interlock 4 x Latch spring 4 x Latch Pin	4
0927	Spring Roll Pin for latches	1 x Spring (Roll) Pin (for Latches)	4

*Quantity required for applicable models.

Note: If you are unsure which seal to use contact Liquip to get a CTK100 (seal test kit).

www.liquip.com

LYNX SERIES COUPLERS



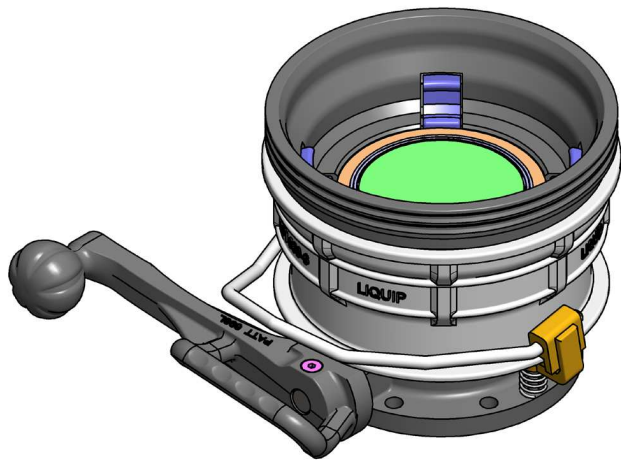
NOTE: LYNX852- LONG STYLE
OPERATING HANDLE SHOWN

LYNX SERIES COUPLERS

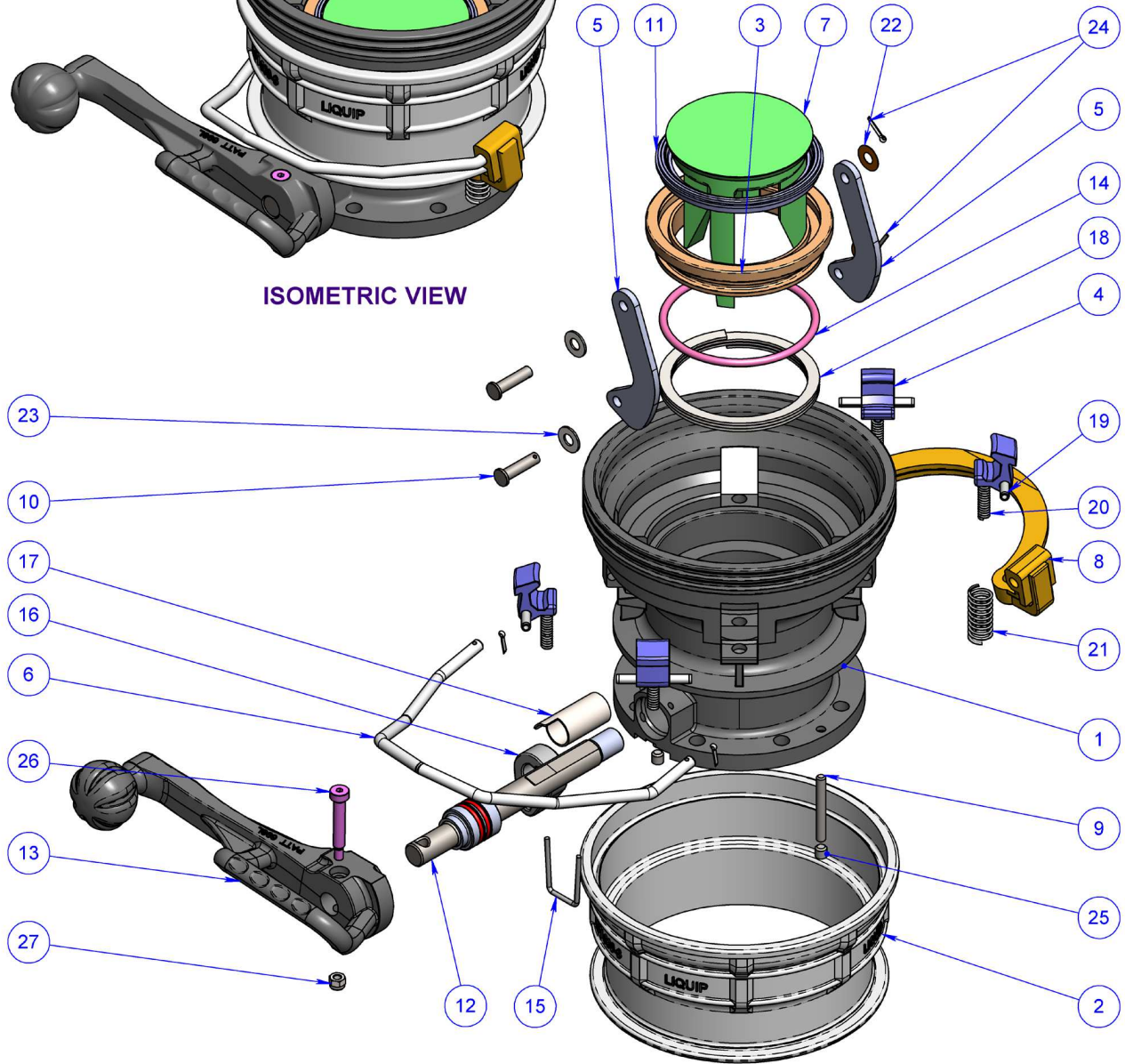
ITEM NO.	PART NUMBER	DESCRIPTION	LYNX850	LYNX852	LYNX850VG	LYNX852VG	MATERIAL
1	API800-2	BODY API800 SERIES COUPLER	1	1	1	1	ALUMINIUM
2	API800-3	OUTER BODY (COLLAR)	1	1	1	1	ST STEEL
3	API800-4	POPPET ADAPTOR RING	1	1	1	1	ALUMINIUM
4	API725-4	LATCH COLLAR INTERLOCK	4	4	4	4	ST STEEL
5	API800-6	CAMPLATE FOR API COUPLERS	2	2	2	2	STEEL PHOSPHATED
6	API555-6	HANDLE - OUTER BODY RING	1	1	1	1	ST STEEL
7	API800-9	POPPET 4"	1	1	1	1	ALUMINIUM
8	API555-10	LEVER OUTER BODY	1	1	1	1	ALUMINIUM
9	API800-13	PIN - SPRING RETURN	2	2	2	2	ST STEEL
10	API800-12	PIN CLEVIS	2	2	2	2	STEEL PHOSPHATED
11	API800-1	SEAL PRODUCT	1	1	-	-	VITON B
	API800-1VG	SEAL PRODUCT	-	-	1	1	VITON GFLT
12	API850-5A	SHAFT AND BUSH ASSY	1	1	-	-	STEEL, VITON A & ACETAL
	API850-5AVG	SHAFT AND BUSH ASSY	-	-	1	1	STEEL, VITON GFLT & ACETAL
13	API800-11	LONG STYLE HANDLE OPERATING	-	1	-	1	ALUMINIUM
	API800-15	SHORT STYLE HANDLE OPERATING	1	-	1	-	ALUMINIUM
14	0203	O-RING	1	1	-	-	VITON B70
	0203VG	O-RING	-	-	1	1	VITON GFLT
15	API800-23	PIN U	1	1	1	1	SPRING STEEL
16	API800-27	CAM ECCENTRIC WITH SLEEVE CUTOUTS	1	1	1	1	ST STEEL
17	API800-28	SPACER SLEEVE	1	1	1	1	STAINLESS STEEL
18	6182	SPRING SPIRAWAVE	1	1	1	1	SPRING STEEL
19	0927	SPRING (SELLOK) PIN	4	4	4	4	Z/P STEEL
20	6171	SPRING COMPRESSION	4	4	4	4	ST STEEL
21	4497	SPRING - RETURN	2	2	2	2	SPRING STEEL
22	5351	WASHER FLAT THIN	2	2	2	2	ST STEEL
23	0101	WASHER FLAT	2	2	2	2	Z/P STEEL
24	0762	SPLIT COTTER PIN	4	4	4	4	ST STEEL
25	3227	GRUBSCREW MET	2	2	2	2	BLK STEEL
26	55091	CAPSCREW SHOULDER METRIC	1	1	1	1	STEEL PHOSPHATED
27	4399	NUT NYLOC	1	1	1	1	Z/P STEEL



LYNX SERIES COUPLERS



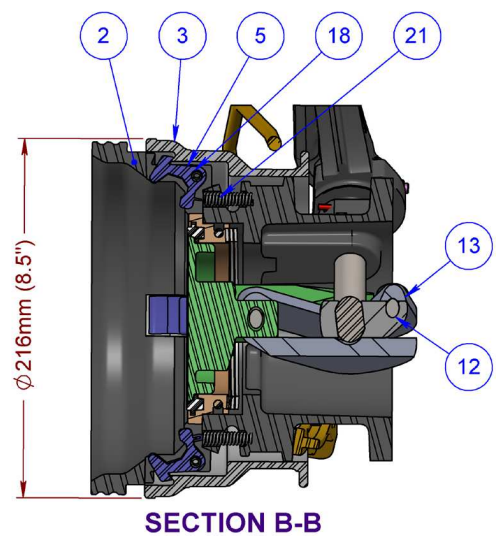
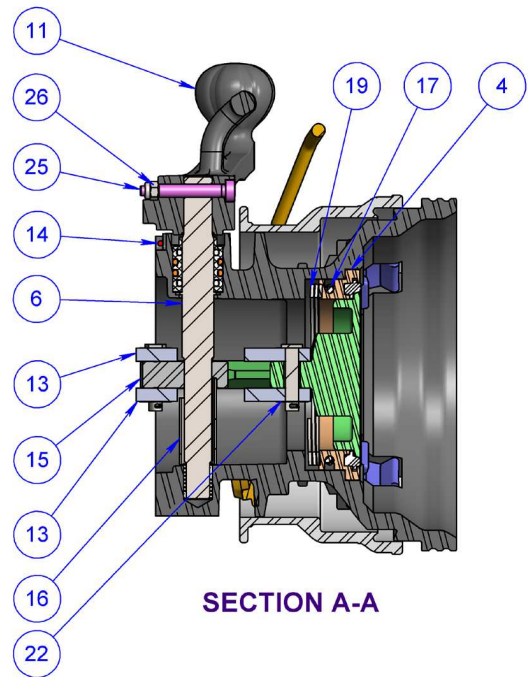
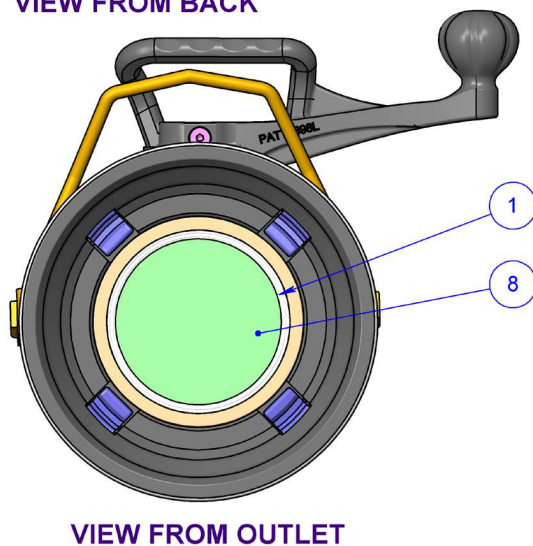
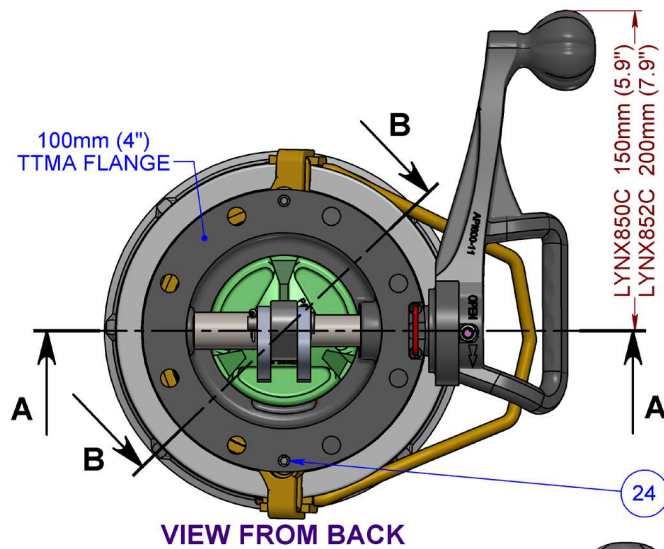
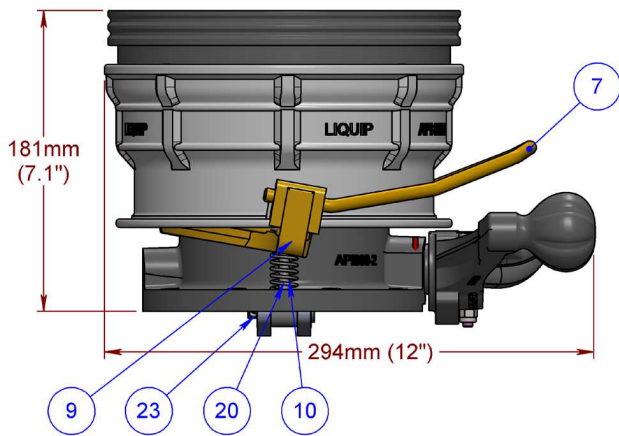
ISOMETRIC VIEW



NOTE: LYNX852- LONG STYLE
OPERATING HANDLE SHOWN

ISOMETRIC EXPLODED VIEW

LYNX SERIES CHEMICAL COUPLERS



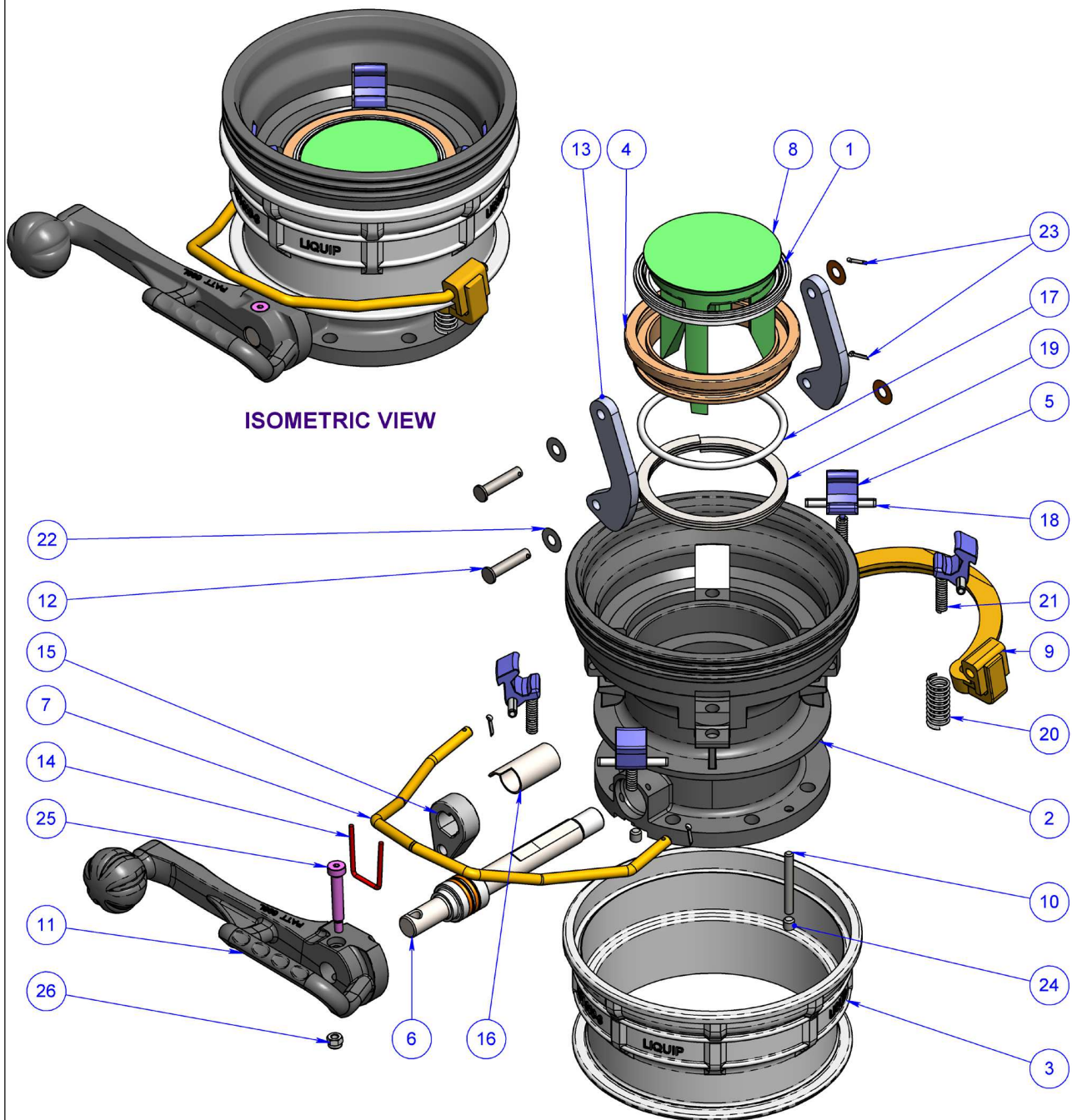
NOTE: LYNX852C - LONG STYLE OPERATING HANDLE SHOWN

LYNX SERIES CHEMICAL COUPLERS

ITEM NO.	PART NUMBER	DESCRIPTION	LYNX850C	LYNX852C	MATERIAL
1	API800-1K	SEAL PRODUCT	1	1	FFKM
2	API800-2	BODY API800 SERIES COUPLER	1	1	ALUMINIUM
3	API800-3	OUTER BODY (COLLAR)	1	1	ST STEEL
4	API800-4	POPPET ADAPTOR RING	1	1	ALUMINIUM
5	API725-4	LATCH COLLAR INTERLOCK	4	4	ST STEEL
6	API850-5AC	SHAFT AND BUSH ASSY	1	1	SS, FFKM & PTFE
7	API555-6	HANDLE - OUTER BODY RING	1	1	ST STEEL
8	API800-9	POPPET 4"	1	1	ALUMINIUM
9	API555-10	LEVER OUTER BODY	1	1	ALUMINIUM
10	API800-13	PIN - SPRING RETURN	2	2	ST STEEL
11	API800-11	LONG STYLE HANDLE OPERATING	-	1	ALUMINIUM
	API800-15	SHORT STYLE HANDLE OPERATING	1	-	ALUMINIUM
12	API800-19	PIN CLEVIS (FOR API COUPLER-CHEMICAL)	2	2	ST STEEL
13	API800-20	CAMPLATE FOR API CHEMICAL COUPLERS	2	2	304
14	API800-23	PIN U	1	1	SPRING STEEL
15	API800-27	CAM ECCENTRIC WITH SLEEVE CUTOUTS	1	1	ST STEEL
16	API800-28	SPACER SLEEVE	1	1	ST STEEL
17	0203K	O-RING	1	1	FFKM
18	0927	SPRING (SELLOK) PIN	4	4	Z/P STEEL
19	6182	SPRING SPIRAWAVE	1	1	STSTEEL
20	4497	SPRING - RETURN	2	2	SPRING STEEL
21	6171	SPRING COMPRESSION	4	4	ST STEEL
22	5351	WASHER FLAT THIN	4	4	ST STEEL
23	0762	SPLIT COTTER PIN	4	4	ST STEEL
24	3227	GRUBSCREW MET	2	2	BLK STEEL
25	55091	CAPSCREW SHOULDER METRIC	1	1	STEEL PHOSPHATED
26	4399	NUT NYLOC	1	1	Z/P STEEL



LYNX SERIES CHEMICAL COUPLERS

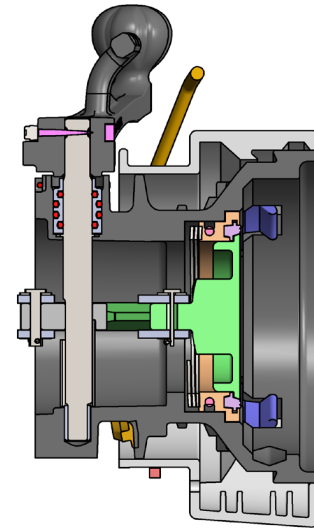
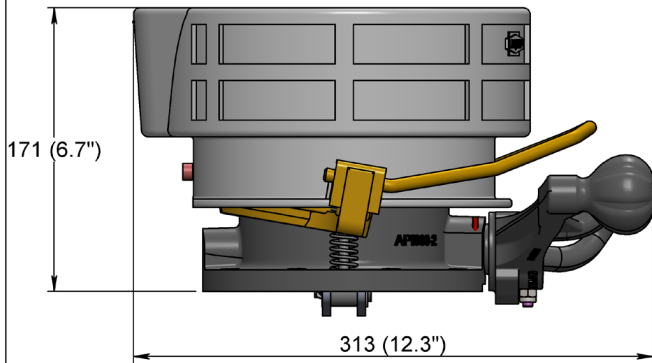


ISOMETRIC VIEW

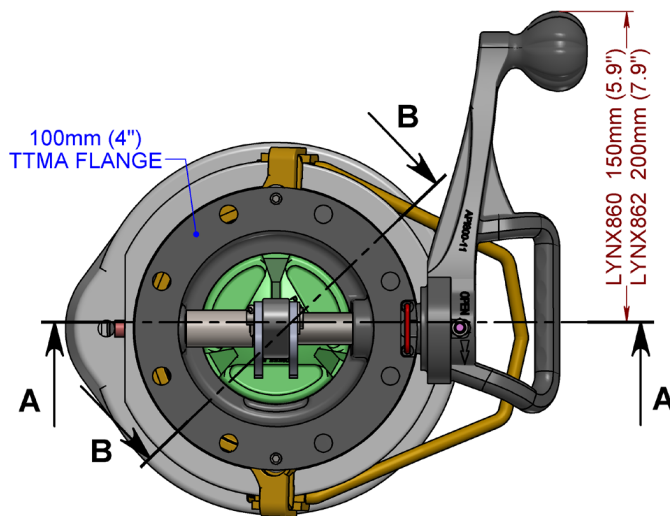
NOTE: LYNX852C - LONG STYLE
OPERATING HANDLE SHOWN

ISOMETRIC EXPLODED VIEW

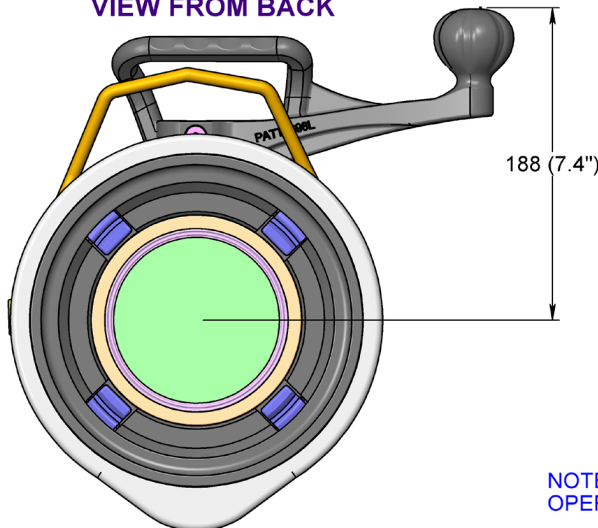
LYNX SERIES COUPLERS WITH DRIPCATCHER



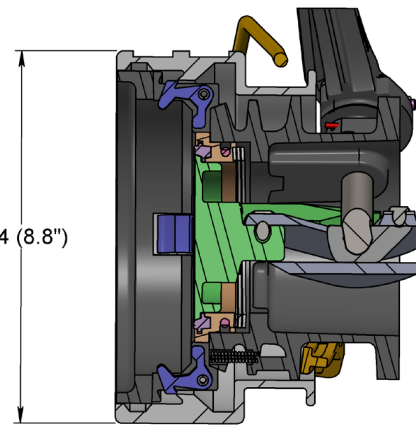
SECTION A-A



VIEW FROM BACK



VIEW FROM OUTLET



SECTION B-B

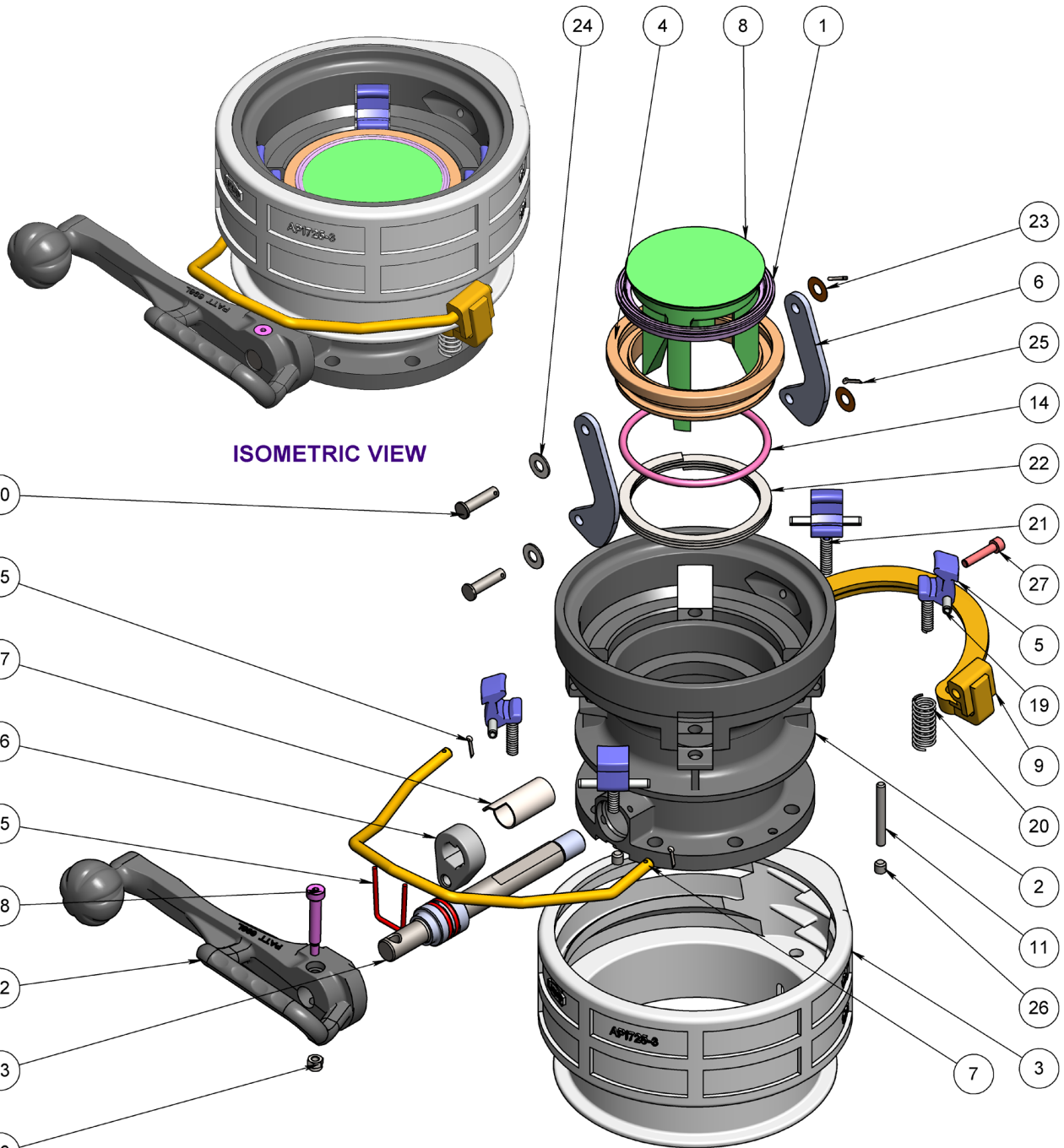
NOTE: LYNX862 - LONG STYLE
OPERATING HANDLE SHOWN

LYNX SERIES COUPLERS WITH DRIPCATCHER

ITEM	PART NUMBER	DESCRIPTION	LYNX860	LYNX862	LYNX860VG	LYNX862VG	MATERIAL
1	API800-1	SEAL PRODUCT	1	1	-	-	VITON B
	API800-1VG	SEAL PRODUCT	-	-	1	1	VITON GFLT
2	API820-2	BODY API800 SERIES COUPLER	1	1	1	1	ALUMINIUM
3	API725-3	COLLAR FOR API COUPLER	1	1	1	1	ST STEEL
4	API800-4	POPPET ADAPTOR RING	1	1	1	1	ALUMINIUM
5	API725-4	LATCH COLLAR INTERLOCK	4	4	4	4	ST STEEL
6	API800-6	CAMPLATE FOR API COUPLERS	2	2	2	2	STEEL PHOSPHATED
7	API555-6	HANDLE - OUTER BODY RING	1	1	1	1	ST STEEL
8	API800-9	POPPET 4"	1	1	1	1	ALUMINIUM
9	API555-10	LEVER OUTER BODY	1	1	1	1	ALUMINIUM
10	API800-12	PIN CLEVIS	2	2	2	2	STEEL PHOSPHATED
11	API800-13	PIN - SPRING RETURN	2	2	2	2	ST STEEL
12	API800-11	LONG STYLE HANDLE OPERATING	-	1	-	1	ALUMINIUM
	API800-15	SHORT STYLE HANDLE OPERATING	1	-	1	-	ALUMINIUM
13	API850-5A	SHAFT AND BUSH ASSY	1	1	-	-	STEEL, VITON A & ACETAL
	API850-5AVG	SHAFT AND BUSH ASSY	-	-	1	1	STEEL, VITON GFLT & ACETAL
14	0203	O-RING	1	1	-	-	VITON B70
	0203VG	O-RING	-	-	1	1	VITON GFLT
15	API800-23	PIN U	1	1	1	1	SPRING STEEL
16	API800-27	CAM ECCENTRIC WITH SLEEVE CUTOUTS	1	1	1	1	ST STEEL
17	API800-28	SPACER SLEEVE	1	1	1	1	ST STEEL
18	55091	CAPSCREW SHOULDER METRIC	1	1	1	1	STEEL PHOSPHATED
19	0927	SPRING (SELLOK) PIN	4	4	4	4	Z/P STEEL
20	4497	SPRING - RETURN	2	2	2	2	SPRING STEEL
21	6171	SPRING COMPRESSION	4	4	4	4	ST STEEL
22	6182	SPRING SPIRAWAVE	1	1	1	1	SPRING STEEL
23	5351	WASHER FLAT THIN	2	2	2	2	ST STEEL
24	0101	WASHER FLAT	2	2	2	2	Z/P STEEL
25	0762	SPLIT COTTER PIN	4	4	4	4	ST STEEL
26	3227	GRUBSCREW MET	2	2	2	2	BLK STEEL
27	6737	CAPSCREW METRIC	1	1	1	1	ST STEEL
28	4399	NUT NYLOC	1	1	1	1	Z/P STEEL



LYNX SERIES COUPLERS WITH DRIPCATCHER



ISOMETRIC VIEW

ISOMETRIC EXPLODED VIEW

NOTE: LYNX862 - LONG STYLE OPERATING HANDLE SHOWN