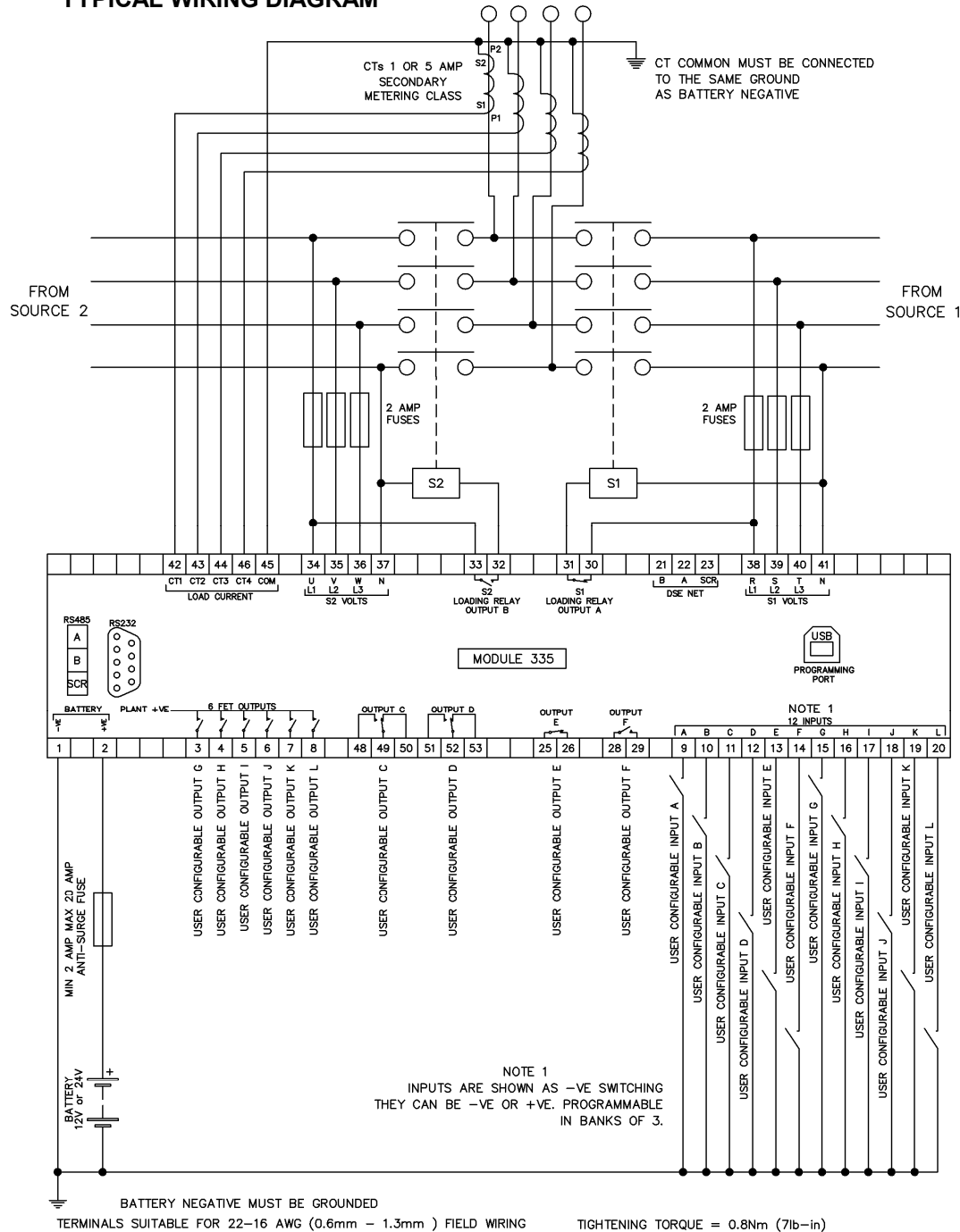


TYPICAL WIRING DIAGRAM



DEEP SEA ELECTRONICS

DSE335 INSTALLATION NSTRUCTIONS

053-136
ISSUE 3

ACCESSING THE FRONT PANEL EDITOR (FPE)

- Press and hold the (stop) and the (tick) button.
- If a module security PIN has been set, the PIN number request is shown.
- Press (tick). The first '#' changes to '0'. Press (up) or (down) to adjust it to the correct value.
- Press (right) when the first digit is correctly entered. The digit you have just entered shows '#' for security.
- Enter the remaining digits of the PIN number. Press (left) to move back to adjust one of the previous digits.
- Press (tick) after entering the final PIN digit. The PIN is checked for validity. If the number is not correct, you must re-enter the PIN.
- If the PIN has been successfully entered (or the module PIN has not been enabled), the editor is displayed.

EDITING A PARAMETER

- Press the (left) or (right) buttons to cycle to the section you wish to view/change.
- Press the (up) or (down) buttons to select the next parameter or previous parameter within the current page.
- When viewing the parameter to be changed, press the (tick) button. The value begins to flash.
- When editing the scheduler, press the (left) or (right) button to move between the various parameters of the scheduler.
- Press the (up) or (down) buttons to adjust the value to the required setting.
- Press the (tick) button to save the current value, the value ceases flashing.
- Press and hold the (tick) button to save all changes and exit the editor.
- Alternatively, press and hold the (stop) button to cancel all changes and exit the editor.

FRONT PANEL CONFIGURATION EDITOR

Page	Parameter	Values
DISPLAY	LCD Contrast	0%
	Language	English
	LCD Page Timer	hh:mm:ss
	Scroll Delay	hh:mm:ss
	Date and Time	dd-mm-yyyy, hh:mm:ss
S1	S1 Option	Generator, Mains
	Immediate S1 Dropout	Inactive, Active
	Under Voltage Trip	0 V
	Over Voltage Trip	0 V
	Under Frequency Trip	0 Hz
	Over Frequency Trip	0 Hz
	S2	S2 Option
Immediate S2 Dropout		Inactive, Active
Under Voltage Trip (Generator Option)		0 V
Over Voltage Trip (Generator Option)		0 V
Under Frequency Trip (Generator Option)		0.0 Hz
Over Frequency Trip (Generator Option)		0.0 Hz
Under Voltage Trip (Mains Option)		0 V
Over Voltage Trip (Mains Option)		0 V
Under Frequency Trip (Mains Option)		0.0 Hz
Over Frequency Trip (Mains Option)		0.0 Hz
TIMERS		S1 Transient Delay
	S2 Start Delay	hh:mm:ss
	S2 Warming Up Time	hh:mm:ss
	S2 Fail Delay	mm:ss
	Elevator Delay	mm:ss
	Non-sync Transfer Time	mm:ss.s
	Check-Sync Transfer time	mm:ss.s
	S2 Return Delay	hh:mm:ss
	S2 Cooling Time	hh:mm:ss
	S2 Fail to Stop Enable	Inactive, Active
	S2 Fail to Stop Delay	mm:ss
	S2 Transient Delay	s.s
SCHEDULER	Scheduler Enable	Inactive, Active
	Bank 1 Period	Weekly, Monthly
	Bank 2 Period	Weekly, Monthly
	Bank 1 Events Configuration	See Overleaf
	Bank 2 Events Configuration	See Overleaf

SCHEDULER EVENT CONFIGURATION

Bank 1 and Bank 2 have eight (8) events each with configuration options as shown below:

Page	Parameter	Values
SCHEDULER (Event Configuration)	Event Run Mode	Do Not Transfer Transfer to S1 Transfer to S2 S1 Off Load (When S1 = Gen) S2 Off Load (When S2 = Gen)
	Event Week	1-4
	Event Start Time	hh:mm
	Event Duration	hh:mm
	Event Day	Monday to Sunday

DIMENSIONS AND MOUNTING

For flat surface mounting in a type 1 enclosure and use in a pollution degree 2 environment.

DIMENSIONS

240 mm x 181 mm x 41 mm
(9.4" x 7.1" x 1.6")

PANEL CUTOUT

220 mm x 160 mm
(8.7" x 6.3")

WEIGHT

680 g
(0.68 kg)

Deep Sea Electronics Plc.

Tel: +44 (0)1723 890099
Fax: +44 (0)1723 893303
Email: support@deepseapl.com
Web: www.deepseapl.com

Deep Sea Electronics inc.

Phone: +1 (815) 316-8706
Fax: +1 (815) 316- 8708
TOLL FREE (USA only)
Tel: +1 866 636 9703
Email: support@deepseausa.com
Web: www.deepseausa.com