

Safety and Operations Guide

PLEASE READ CAREFULLY AND UNDERSTAND the following instructions BEFORE using your Decorator Glass and Track Fireplace Enclosure.

1. NEVER build extremely large fires. Build moderate fires only.
2. DO NOT put combustible materials on the hearth.
3. DO NOT use flammable liquids (gasoline, kerosine, charcoal lighter fluid, etc.) to start the fire. An explosion may result.
4. DO NOT allow excessive ashes or unburned materials to build up in the firebox.
5. DO NOT clean metal surfaces with ammonia-based cleaners, or with abrasive powders. Frequent cleaning of the door with a soft cloth and a good furniture polish will maintain a beautiful finish for many years.
6. DO NOT clean glass while it is hot or breakage may occur.
7. INSPECT the fireplace and the chimney twice monthly during the heating season for soot and creosote build-up.
8. CLEAN the chimney yearly. Brushes are recommended. Use chemical cleaners with caution.
9. ALWAYS maintain a minimum clearance of 8 inches between the firescreen and the fire.
10. ALWAYS keep the screen closed when using the fireplace.
11. NEVER use cardboard or plywood for burning purposes in the firebox. Burn hardwoods only.
12. AFTER a moderate wood fire has been reached, the doors may be fully closed or kept fully opened, but DO NOT burn with the glass doors partly opened. Gas and flame may be drawn out and possibly create a smoke or fire hazard. A COLD glass should NOT be closed on a hot fire in the combustion chamber.
13. IF a gas heat exchanger is being used, the doors may be closed or FULLY opened, but NOT PARTLY opened. Gas and flame may be drawn out and possibly create a smoke or fire hazard.



CUSTOM FIRESCREEN, INC.
Des Moines, Iowa 50314

Custom Firescreen, Inc. Limited Warranty

General

Custom Firescreen, Inc.'s products are warranted to be free from defects in materials and/or workmanship which occur during normal use for a period of one year from the date of original purchase, except wherein specific items are stated otherwise. This warranty does not cover damage which occurs in shipment or failure or faults which result from accident, misuse, neglect, mishandling, any alteration or faulty installation by persons other than Custom Firescreen, Inc. designated employees. Damage caused by acidic corrosion is not covered under warranty.

Obligation of the owner

The owner should read and follow the listed instructions and the "Safety and Operations Guide." If it becomes necessary to return the product during the warranty period, the owner is advised to be guided by the dealer from whom the purchase was made for assistance and instructions. Custom Firescreen, Inc. must be notified before any product is returned to the factory for warranty performance. Custom Firescreen, Inc. reserves the option of determination of cause, repair or to replace the malfunctioning product.

Limits and Exclusions

There are no expressed or implied warranties except as listed above. Custom Firescreen, Inc. shall not be liable for incidental or consequential damage resulting from improper use of this product, or arising out of any breach of warranty including, without limitation, damage to firebox, chimney, and fireplace internal and external support structures. This warranty is extended only to the original purchaser. A purchase receipt or other proof of date of original purchase will be required before warranty performance is rendered. This warranty gives you specific legal rights and you may have other rights which may vary from state to state.

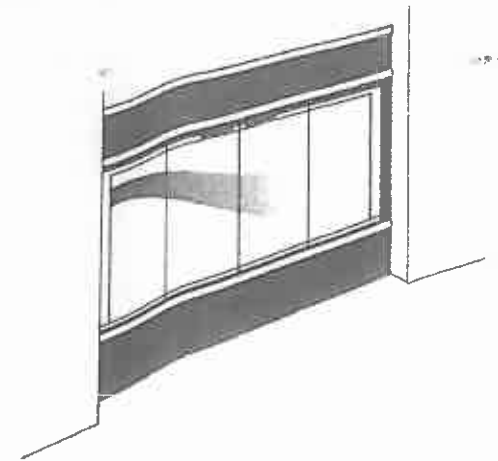
FOR YOUR RECORD

Date Purchased: _____

Purchased from _____ Phone _____



Custom Firescreen



The
DECORATOR SERIES
Glass and Track

by Custom Firescreen

DECORATOR SERIES GLASS AND TRACK Installation, Operational Safety Guide and Warranty



CUSTOM FIRESCREEN, INC.
108 Jefferson Avenue
Des Moines, IA 50314
1-515-243-3942

CONGRATULATIONS! on your purchase of a Decorator Series Glass and Track. Your custom made glass door was manufactured by a team of special craftsmen. The trim sleek look, created by our highly trained specialists, have set the standard for the industry. You will enjoy many years of satisfaction by having purchased the very best! We have included a safety, warranty, and operation guide along with the installation instructions for your convenience. Read and fully understand the instructions **BEFORE** you begin or assign the installation to a qualified installer.

IMPORTANT! (BEFORE INSTALLATION)

Hydrochloric (Muriatic) acid is often used by builders to clean excess mortar from newly built fireplaces. The fumes from this acid are highly caustic and will damage the finish of your fireplace equipment unless neutralized. To neutralize the effects of this acid, wash the masonry with baking soda, and rinse thoroughly with clean water before having the enclosure installed.

CHECK FOR CRACKS OR BAD MORTAR JOINTS IN THE BRICK, STONE, OR METAL FIREBOXES. CHECK ALSO FOR GAPS BETWEEN THE METAL FIREBOX AND INSIDE BRICK.

STEP 1: Preparation

1A Unpack carefully the Glass and Track installation materials from its containers. CAREFULLY remove the shrink wrap from all metal frames, taking care to avoid scratching the surface of the glass metal frames. Use the following check list to ensure that all of the door components have been received.

- A. Plastic Bag Containing: 6 phillips head screws and 4 spring clips.
- B. Bi-fold Glass Doors
- C. Two Tracks (upper and lower)

1B Assemble the following items to be used as your basic installation kit:

- A. Electric drill
- B. Razor knife
- C. Phillips head screwdriver
- D. Extension cord
- E. Tape measure
- F. Sheet metal shears

NOTE: Custom Firescreen's installation package includes self-drilling screws, which, if desired, may be installed with a 1/4 inch drill, using a phillips head style driver.

STEP 2: Installing the Door Tracks

2A To mount bottom track, center track in firebox. **NOTE:** Bottom track is slightly narrower face (1/16") than top track.

Install self-drilling screw in center hole provided (See Illustration 2 below).

2B Repeat step 2A on top track.

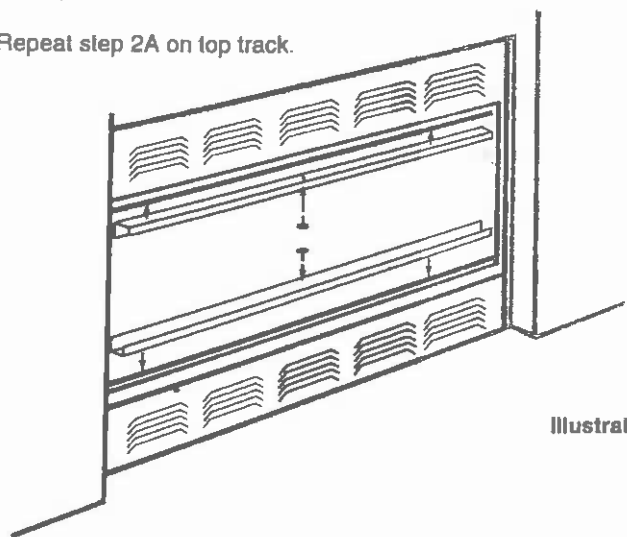


Illustration 2

STEP 3: Installing Spring Brackets

3A Install bottom spring brackets at each end of the bottom track as shown in Illustration 3. Install self-drilling screw through slot of spring bracket into holes provided.

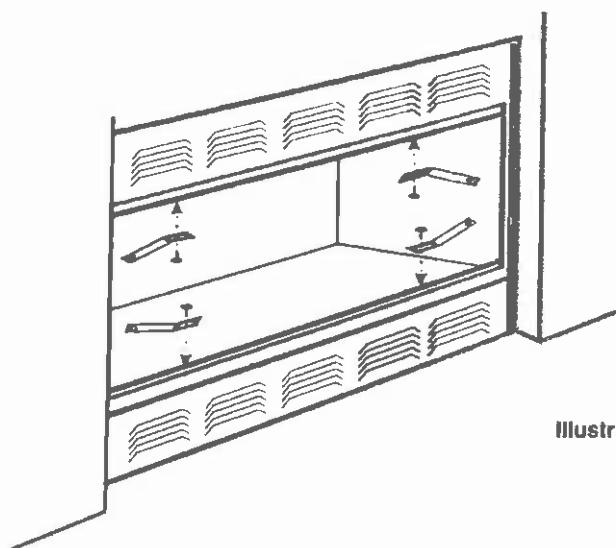


Illustration 3

STEP 4: Installing Top Brackets

4A Repeat Step 3 with spring brackets in top track.

STEP 5: Installing Doors and Adjusting

5A To install your glass doors in the frame, carefully fold the glass panels until they meet. Tilt the glass panels to a 60° angle and insert the hinge pin into the lower track bracket. Then raise the glass panels to an upright position. Be careful to keep the upper hinge pin and track mechanism within upper track. When fully upright the top hinge pin should snap into the upper spring clip. Repeat this same procedure on the other side. See Illustration 5.

5B To adjust, loosen the spring bracket screws slightly and slide the brackets to the proper position, then re-tighten the screws. Do this to all four brackets. When adjusted properly, the doors will operate smoothly and have an equal margin between frame and glass on the sides. **CAUTION:** When adjusting glass door brackets, do not allow glass panels to hit or touch each other in the center (where the doors meet); edge chippings may result.

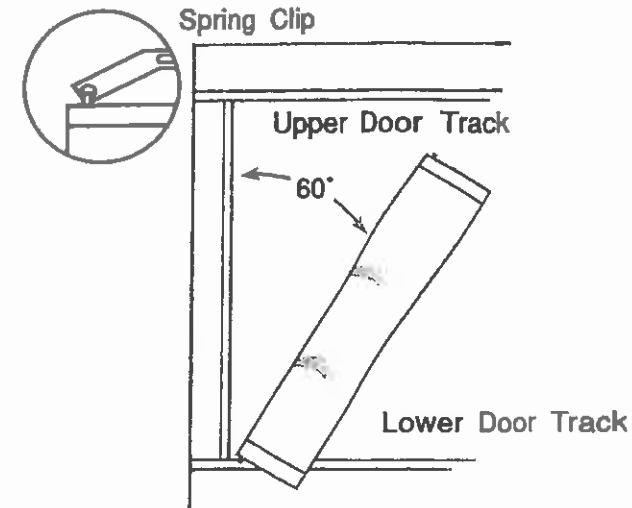


Illustration 5

STEP 6: Final Touch

6A The installation of your Glass and Track is now complete. If you retained a professional installer to set up your Glass and Track, he should now have the work area cleaned up ready for your inspection. He will take a couple of minutes to review the operation of the unit and answer any questions you may have before leaving. We at Custom Firescreen, Inc. know that you will enjoy the warmest pleasure from your Glass and Track.